

产品规格书

产品类型 信号连接器 (Signal connector)
Product type _____

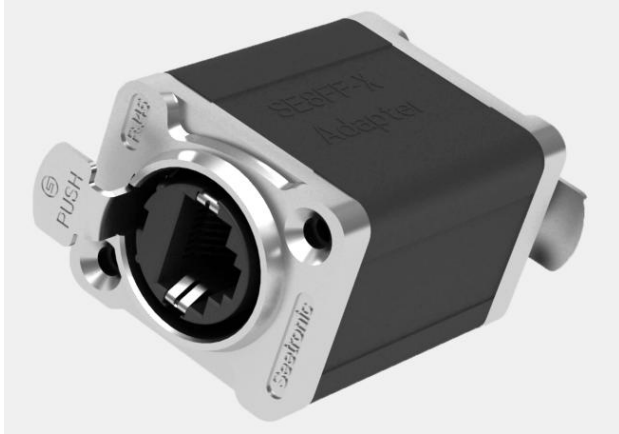
产品型号 SE8FF-X(01)
Product NO. _____

客户名称
Customer _____

生产方	核准 (APPROVAL)	审核 (AUDIT)	制作 (COMPILE)
Manufacturer			

客户方	核准 (APPROVAL)	审核 (AUDIT)	承认 (ACCEPT)
(Customer)			

一、SE8FF-X(01) 产品外观 (Product Appearance)



二、产品特性 (Product features)

- ☑ 能通配 SE8MC-1 (01) /02 (01) 或任何标准的 RJ45 接头 (Accommodates SE8MC-1 (01) /02 (02) or any standard RJ45 plug)
- ☑ 认可的锁定系统 (Approved latch lock system)
- ☑ 符合 TIA / EIA 568B and ISO / IEC 11801 的关于 Class D 的传输标准 (Complies with Class D according to TIA / EIA 568B and ISO / IEC 11801 standard)
- ☑ 前后直接实现 RJ45 插头的对接, 为信号的稳定持久传输提供可靠保证, 且操作及其简便 (The connection of RJ45 plug is realized directly before and after, which provides reliable guarantee for stable and persistent transmission of signals, and is easy to operate.)

三、技术参数 (Technical parameters)

1. 电气参数 (Electrical parameters)

接点电阻 (Contact resistance)	<10 mΩ
额定电流 (Rated current)	1.5 A
额定电压 (Rated voltage)	50 V

接触电阻 (Insulation resistance)	$\geq 0.5 \text{ G}\Omega$
绝缘强度 (Dielectric strength)	1 KV DC
带宽频率 (Frequency range)	1 - 100 MHz
传输等级 (Transmission performance)	Class D

2. 机械参数 (Mechanical parameters)

使用寿命 (Service life)	> 1000
插拔力 (Insertion force)	$\leq 20 \text{ N}$
锁定 (Locking device)	latch lock

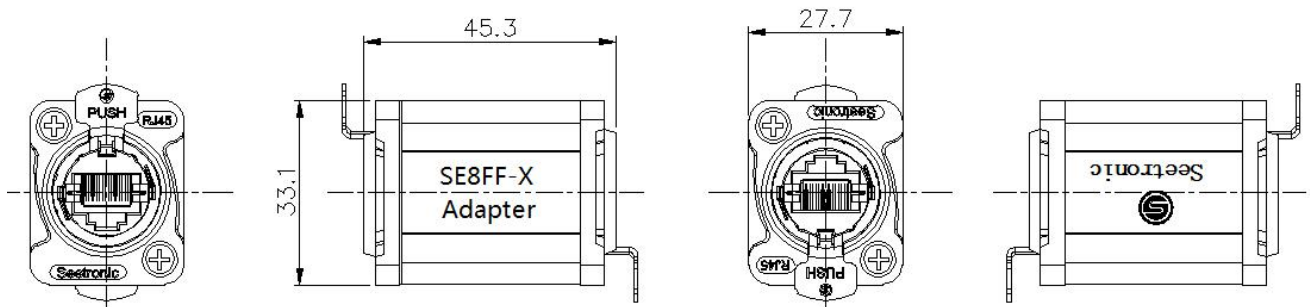
3. 材料和环境 (Material and environmental parameters)

外壳 (Shell)	Zinc diecast
触点 (Contacts)	Bronze
插座 (Insert)	PBT
触点表面 (Contact surface)	Au
外壳表面 (Shell surface)	Pearl Cr
使用温度范围 (Temperature range)	-30°C to $+80^{\circ}\text{C}$

4. 标准和规范 (Standard)

标准 (Standard)	TIA/EIA 586B, IEC11801
---------------	------------------------

四、产品外形尺寸 (Product Profile)



单位: mm