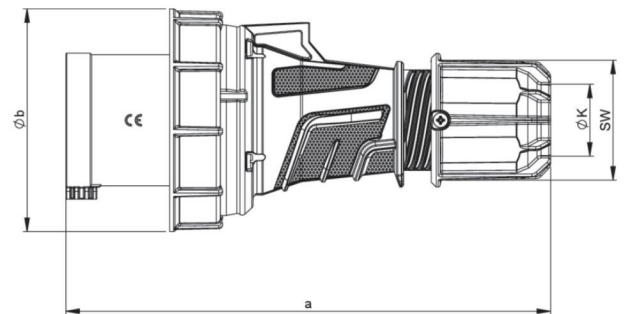


|                        |   |
|------------------------|---|
| article#               | <b>035-6xs</b>  |
| article description    | <b>CEE-plug 63A 5p 6h IP67 POWER TWIST black</b>  |
| description long       | CEE-plug 63A 5p 6h IP67 POWER TWIST black<br>housing material: PA6<br>rated current: 63A<br>number of poles: 5 (3P+N+PE)<br>clock-position: 6h<br>rated voltage/frequency: 200/346V~ - 240/415V~ / 50+60Hz<br>contacts: brass nickel plated, with pilot pin<br>connection technology: frame terminals with screws<br>IP protection class: IP66/IP67 |
| GTIN (EAN)             | 9003399681363   |
| country of origin      | AT  |
| customs number         | 85366990  |
| net weight             | 0.666 kg  |
| packaging quantity     | 2   |
| minimum order quantity | 2   |

|                                 |                      |
|---------------------------------|----------------------|
| ETIM 9.0                        | EC000140             |
| IEC-amperage                    | 63 A                 |
| Number of poles                 | 5                    |
| Voltage according to EN 60309-2 | 400 V (50+60 Hz) red |
| Clock hour position             | 6 h                  |
| Identification colour           | Red                  |
| RAL-number                      | 9005                 |
| Degree of protection (IP)       | IP67                 |
| Connection system               | Screwed terminal     |
| Cable entry                     | Gland nut            |
| Angle of plug                   | Straight             |
| Material                        | Plastic              |
| Contact material                | CuZn                 |
| Surface treatment contacts      | Nickel-plated        |

|                    |                      |
|--------------------|----------------------|
| a                  | 250 mm               |
| b                  | 115 mm               |
| K (cable Ø)        | 14,5-36 mm           |
| SW                 | 61 mm                |
| wire flexible      | 6-16 mm <sup>2</sup> |
| contact screws     | 200 Ncm              |
| strain relief      | 1500 Ncm             |
| dismantling length | 100 mm               |
| stripping length   | 15-18 mm             |



<https://www.pcelectric.at/shop/en/?func=detail&artnr=035-6xs>