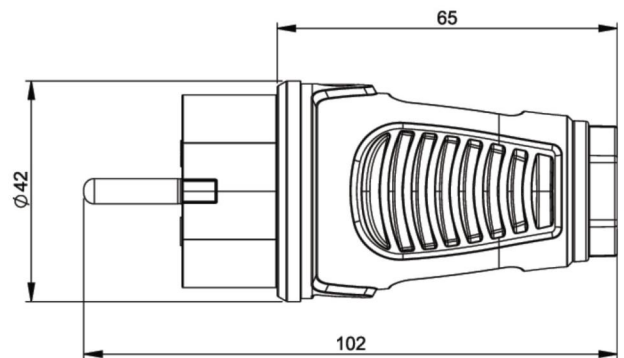


PCE data sheet

article#	0522-ss
article description	Taurus2 solid rubber plug 2SL IP54 (black)
description long	Safety plug series Taurus2 - solid rubber color (housing/ring): black/black material (housing/contact carrier): TPE/TPE earthing system: dual earthing system 16A / 250V AC / 3p (2P+E), protection rating: IP54
GTIN (EAN)	9003399468971
country of origin	AT
customs number	85366990
net weight	0.072 kg
packaging quantity	30
minimum order quantity	200

ETIM 8.0	EC000242
Model	Protective contact (SCHUKO)
Material	Full rubber
Material quality	Thermoplastic
For heavy conditions (in accordance with VDE)	True
Degree of protection (IP)	IP54
Angle of plug	Straight
Connection system	Screwed terminal
Colour	Black
Number of poles	3
Nominal voltage	250 V
Nominal current	16 A
Protective earth pin round	True

K (cable Ø)	6-13 mm
wire flexible	0,75-2,5 mm ²
contact screws	80 Ncm
strain relief	110 Ncm
dismantling length	30 mm
stripping length	7 mm



<https://www.pcelectric.at/shop/en/?func=detail&artnr=0522-ss>



www.manufacturer-safety.info