



User's Manual

PROFESSIONAL SPEAKER SYSTEM ***X 8A / 10A / 12A / 15A / X 12A-MP / X 15A-MP***

8"

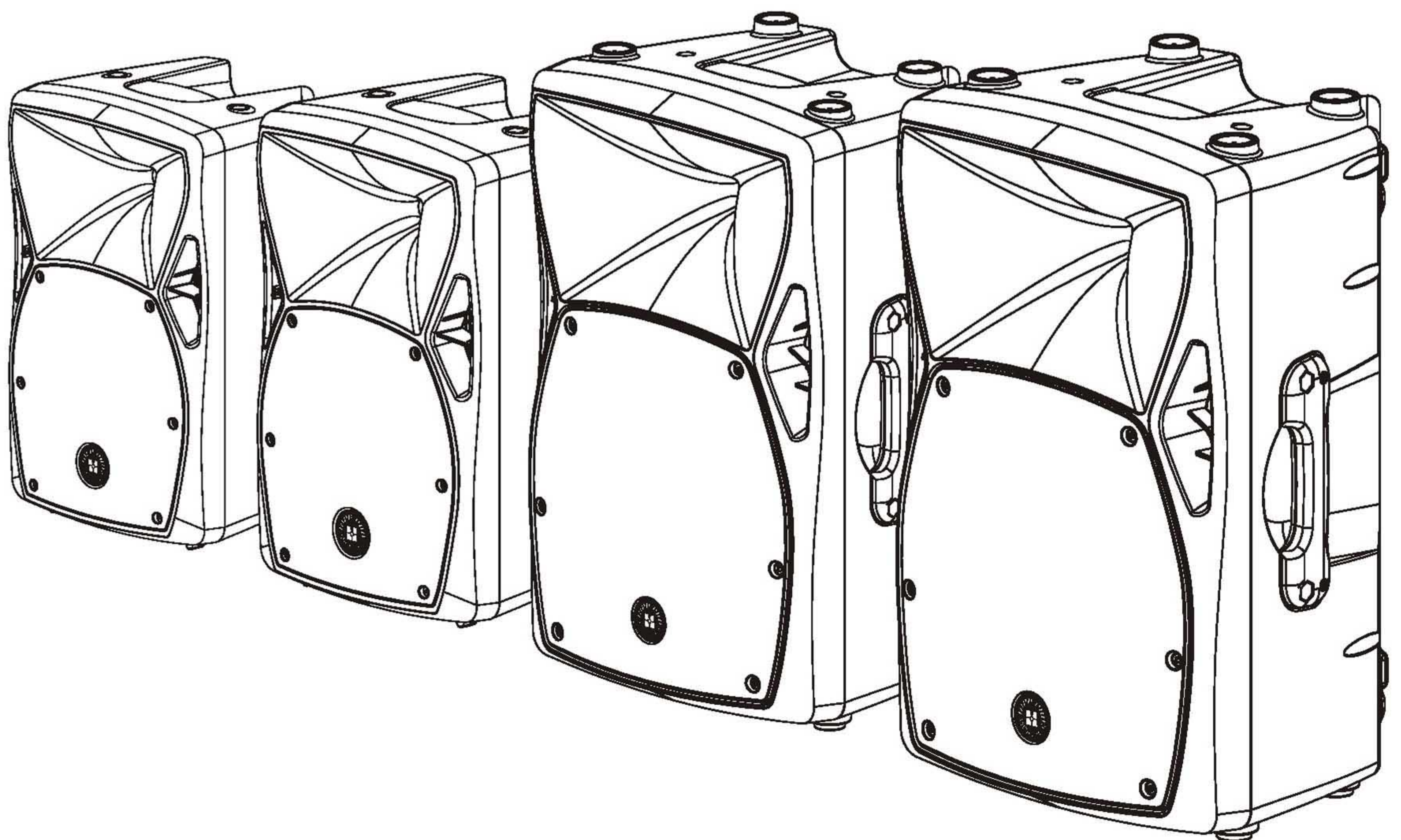
10"

12"

15"

Speaker Cabinet

ACTIVE





Important Safety Instructions



TO REDUCE THE RISK OF ELECTRIC SHOCK PLEASE DO NOT REMOVE THE COVER OR THE BACK PANEL OF THIS EQUIPMENT. THERE ARE NO PARTS NEEDED BY USER INSIDE THE EQUIPMENT. FOR SERVICE, PLEASE CONTACT QUALIFIED SERVICE CENTERS.



This symbol, wherever used, alerts you to the presence of un-insulated and dangerous voltages in the product enclosure. These are voltages that may be sufficient to constitute the risk of electric shock or death.



This symbol, wherever used, alerts you to important operating and maintenance instructions. Please read.



Protective Ground Terminal



AC mains (Alternating Current)




Hazardous Live Terminal

ON: Denotes the product is turned on.

OFF: Denotes the product is turned off.

CAUTION

Describes precautions that should be observed to prevent damage to the product.

1. Read this Manual carefully before operation.
2. Keep this Manual in a safe place.
3. Be aware of all warnings reported with this symbol. 
4. Keep this Equipment away from water and moisture.
5. Clean it only with dry cloth. Do not use solvent or other chemicals.
6. Do not damp or cover any cooling opening. Install the equipment only in accordance with the Manufacturer's instructions.
7. Power Cords are designed for your safety. Do not remove Ground connections! If the plug does not fit your AC outlet, seek advice from a qualified electrician. Protect the power cord and plug from any physical stress to avoid risk of electric shock. Do not place heavy objects on the power. This could cause electric shock or fire.
8. Unplug this equipment when unused for long periods of time or during a storm.
9. Refer all service to qualified service personnel only. Do not perform any servicing other than those instructions contained within the User's Manual.
10. To prevent fire and damage to the product, use only the recommended fuse type as indicated in this manual. Do not short-circuit the fuse holder.

WARNING

To reduce the risk of electric shock and fire, do not expose this equipment to moisture or rain.



Dispose of this product should not be placed in municipal waste and should be separate collection.

Before replacing the fuse, make sure that the product is OFF and disconnected from the AC outlet.

11. Move this Equipment only with a cart, stand, tripod, or bracket, specified by the manufacturer, or sold with the Equipment. When a cart is used, use caution when moving the cart/equipment combination to avoid possible injury from tip-over.



12. Permanent hearing loss may be caused by exposure to extremely high noise levels. The US. Government's Occupational Safety and Health Administration (OSHA) has specified the permissible exposure to noise level. These are shown in the following chart:

Hours x day	SPL	Example
8	90	Small gig
6	92	Train
4	95	Subway train
3	97	High level desktop monitors
2	100	Classic music concert
1.5	102	
1	105	
0.5	110	
0.25 or less	115	Rock Concert

According to OSHA, an exposure to high SPL in excess of these limits may result in the loss of hearing. To avoid the potential damage of hearing, it is recommended that Personnel exposed to equipment capable of generating high SPL use hearing protection while such equipment is under operation.

The apparatus shall be connected to a mains socket outlet with a protective earthing connection.

The mains plug or an appliance coupler is used as the disconnect device, the disconnect device shall remain readily operable.



INDEX

INTRODUCTION	4
HOOKUP DIAGRAMS	5
INSTALLATION TIPS	6
QUICK START	7
RIGGING	8
PANEL DESCRIPTION	9
FREQUENCY RESPONSE DIAGRAM	11
WIRE CONNECTIONS	13
TECHNICAL SPECIFICATIONS	13
WARRANTY	16

* X 12A, X 12A-MP, X 15A, X 15A-MP are Active Speakers for professional use , they can be used in following electromagnetic environment: residential, commercial and light industrial, urban outdoors. They are the apparatusNot intended for rack mounting.

* For X 12A, X 12A-MP, X 15A, X 15A-MP, the peak inrush current is 0.9A

*This device complies with part 15 of the FCC Rules. Operation is subject to the following two conditions: (1)this device may not cause harmful interference , and (2)this device must accept any interference received , including interference that may cause undesired operation . Changes or modifications not expressly approved by the party responsible for compliance could void the user's authority to operate the equipment.

NOTE: This equipment has been tested and found to comply with the limits for a Class B digital device, pursuant to Part 15 of the FCC Rules.

These limits are designed to provide reasonable protection against harmful interference in a residential installation. This equipment generates, uses and can radiate radio frequency energy and, if not installed and used in accordance with the instructions, may cause harmful interference to radio communications. However, there is no guarantee that interference will not occur in a particular installation. If this equipment does cause harmful interference to radio or television reception, which can be determined by turning the equipment off and on, the user is encouraged to try to correct the interference by one or more of the following measures:

- Reorient or relocate the receiving antenna.
- Increase the separation between the equipment and receiver.
- Connect the equipment into an outlet on a circuit different from that to which the receiver is connected.
- Consult the dealer or an experienced radio/TV technician for help.

Don't forget to visit our website at www.toppopro.com for more information about this and other Topp Pro products.



1

Introduction

Thank you for choosing **TOPP PRO**. The new **TOPP PRO MUSIC GEAR X Series** cabinets have been designed to provide a cost effective high grade solution while maintaining high quality cabinet construction and optimum components.

The **X Series**, can be used for all types of applications including, but not limited to, churches, conference centers and discos. The woofer and neodymium driver combination provides excellent performance rivaling those cabinets costing much more.

Our Professional Audio Products are designed and tested by a highly qualified engineering team with more than 20 years of experience. Great care is placed in delivering products with excellent performance, specifications and dependable reliability. Also great emphasis is placed in creating and bringing to market products that can fill multiple applications and also offer customers exceptional value.

2

Installation Tips

- Speakers should be placed in a position that allows for unobstructed sound projection. In many instances it is beneficial for speakers to elevate on tripod stands to achieve maximum dispersion and reach. Consider TOPP PRO speaker stand or equivalent to raise speakers.
- Using quality cables ensure best possible sound. Consider using TOPPPRO 16 or 14 gauge cables or equivalent.
- For best results match the speakers to a good amplifier that matches the wattage and impedance of your speakers. Proper amplification power results in good quality audio and longer component life. Check out.
- Avoid pointing microphone directly at an amplified speaker otherwise could cause feedback possible damaging speaker components and your hearing.

Enjoy the sound!

3

Useful data

Please write your serial number here for future reference.

Serial Number:

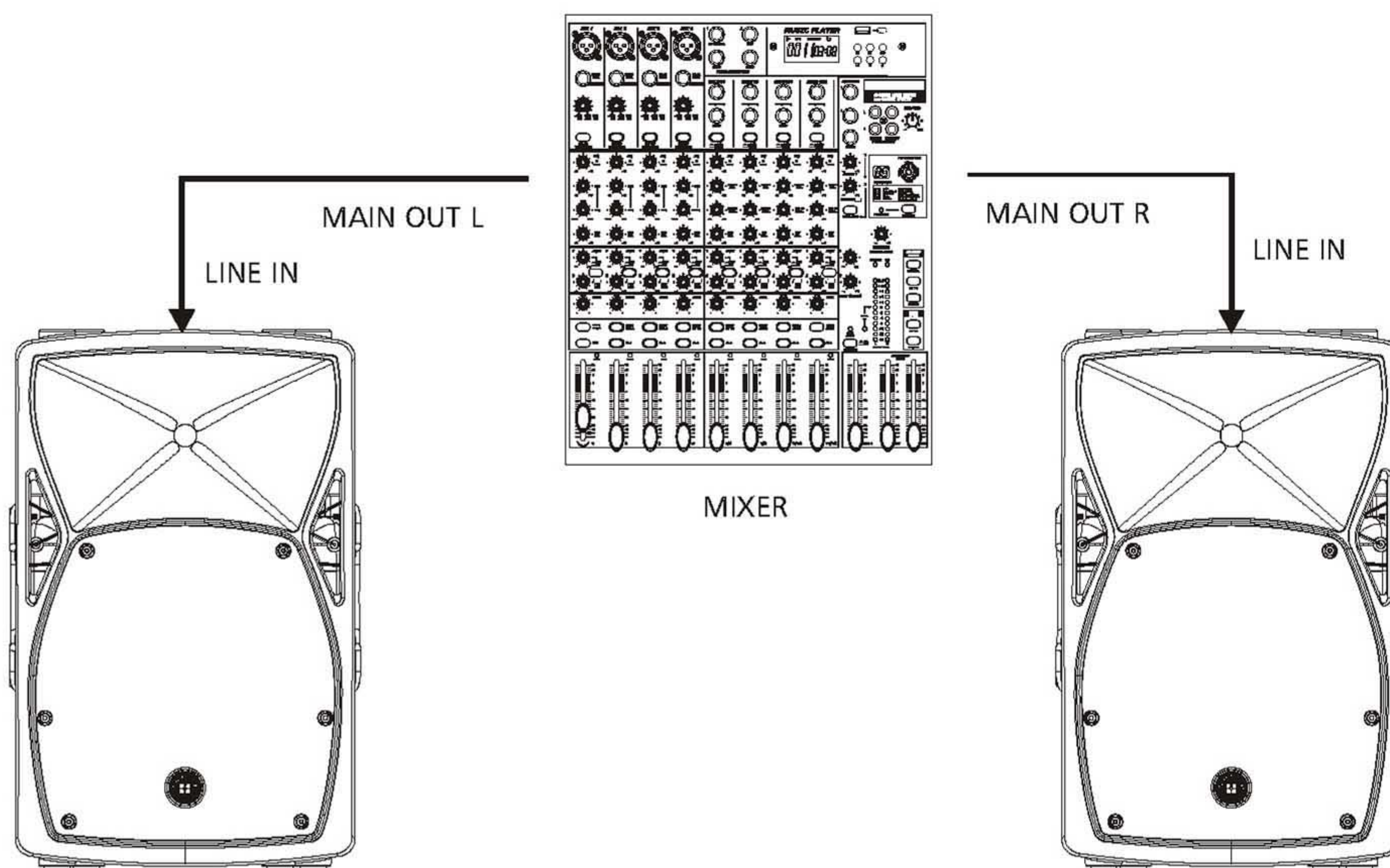
Date of purchase:

Purchased at:

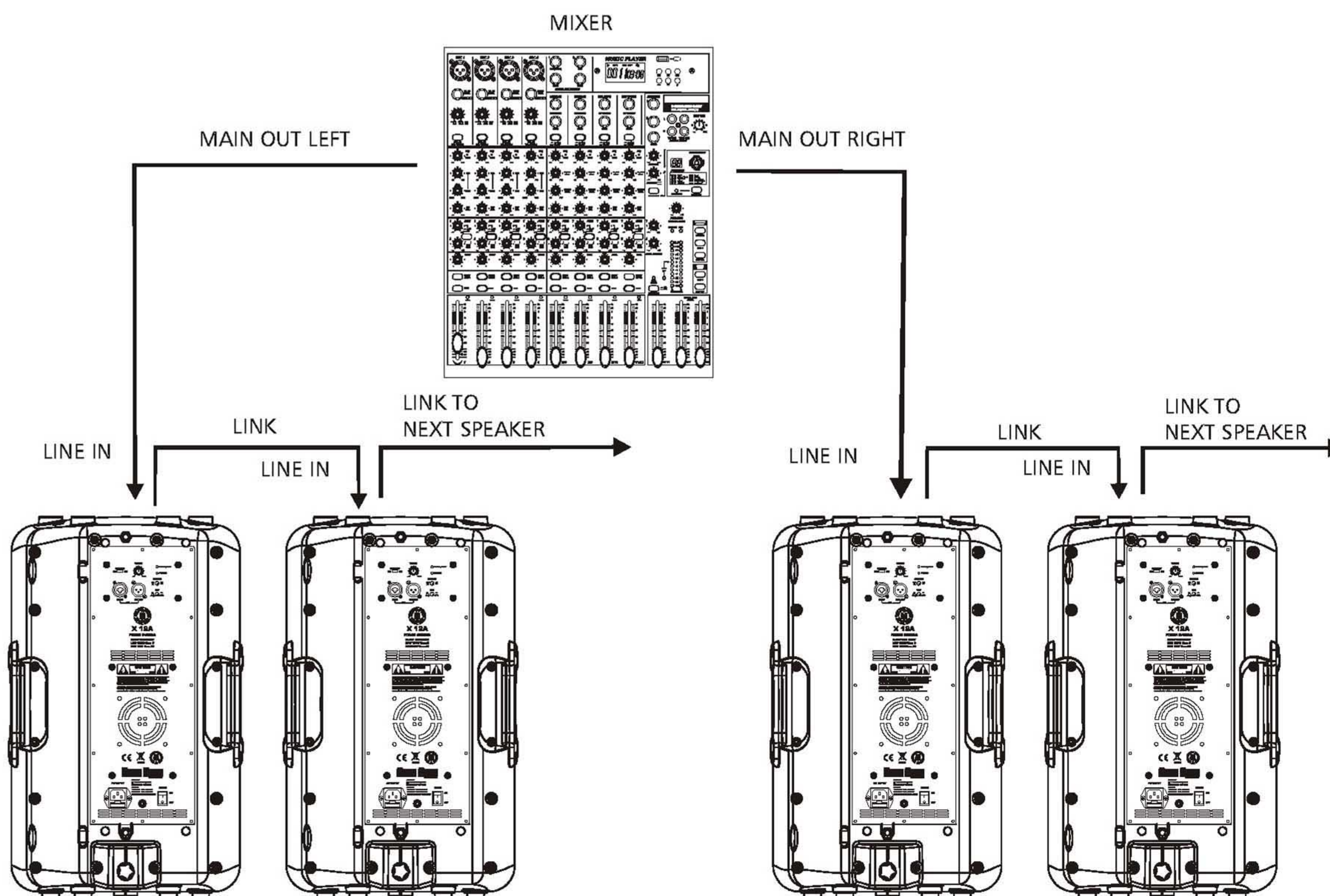
Hookup Diagrams

4

Two speaker in stereo operation



Multiple speakers with the same stereo source





5

Installation Tips

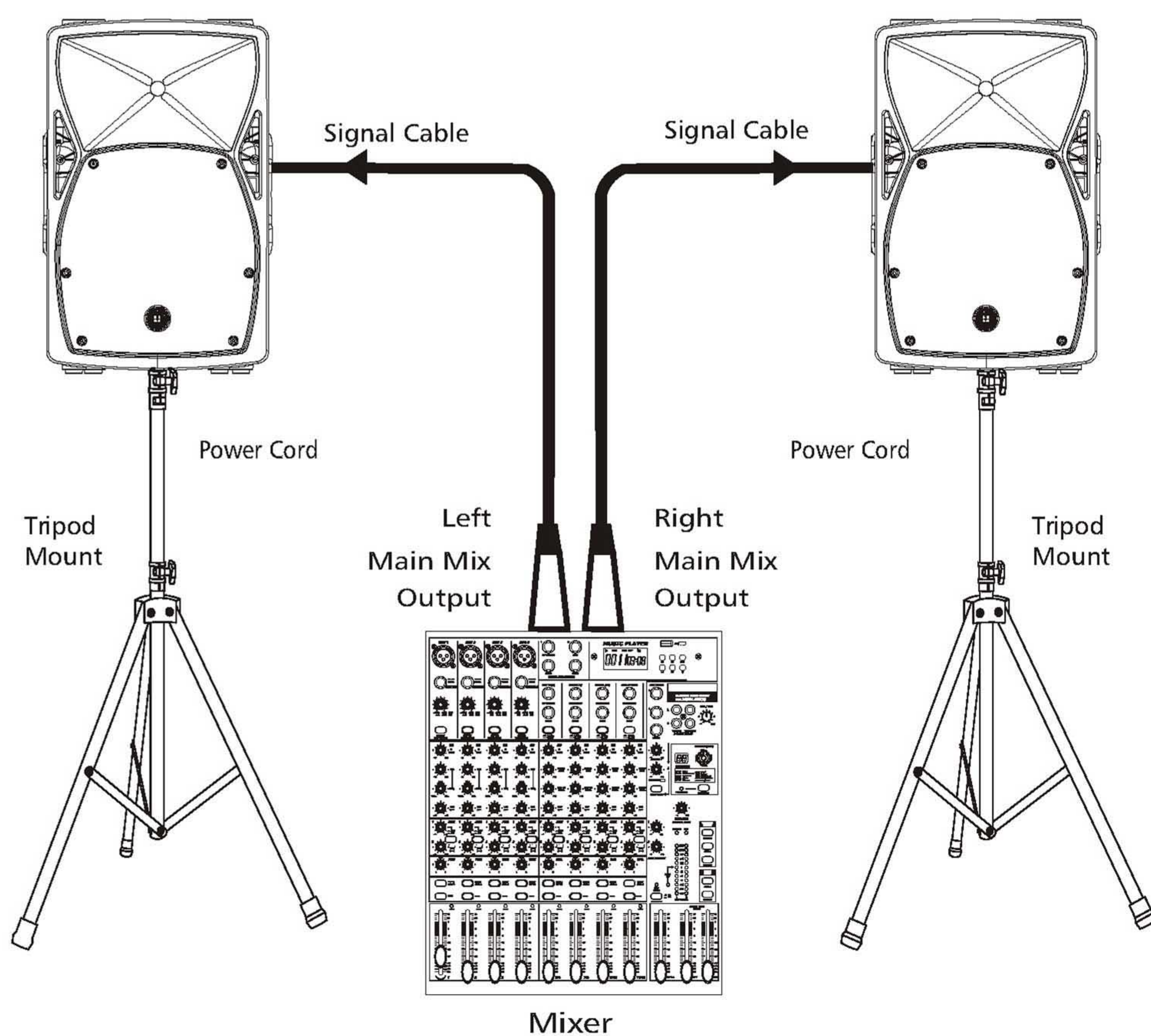
- 1- Speakers should be placed in a position that allows for unobstructed sound projection. In many instances is beneficial for speakers to be elevated on tripod stands to achieve maximum dispersion and reach.
- 2- Use professional advice or service when hanging and installing speakers. Please take precautions to secure them to prevent them from falling and hurting someone. Care should be taken as to not damage the cabinet or its components. Please comply with all pertinent Regulations.
- 3- Use quality cables. Using quality cables will ensure the best possible sound.
- 4- For best results match the speakers to a good amplifier that matches the wattage and impedance of your speakers. Proper amplification power results in good quality audio and longer component life. Check out the power requirement for your cabinet.
- 5- Avoid pointing a microphone directly at an amplified speaker doing so, could cause feedback possibly damaging speaker components and your hearing.

Enjoy the sound!

Quick Start

Make all initial connections with all the equipments powered off, and ensure that all the main volume controls are turned completely down.

- 1). Connect one side of the signal cable at your audio mixer into output left / right (with Stereo-Jack or XLR) and the other side of the cable into the line input Stereo-Jack) of your active speaker cabinet.
- 2). Connect the power cord to mains.
- 3). Turn on your mixer first, then the active speaker cabinets.
- 4). Turn up the volume control of the active speaker cabinets.
- 5). Use PFL function to get the proper input level for the mixer, and adjust the main mix level control to manipulate the output level.
- 6). After using, turn off your active speaker cabinets first, then the mixer.



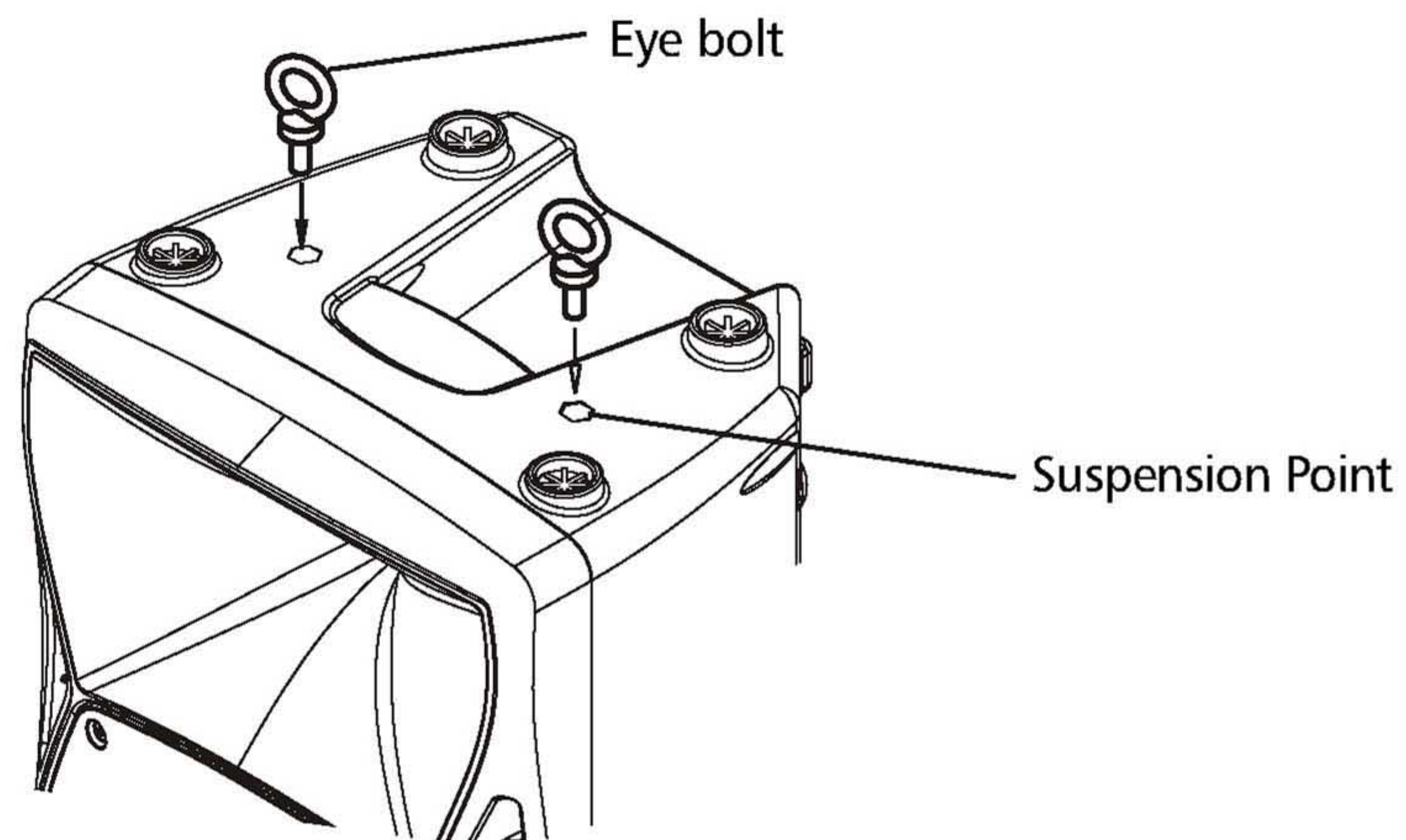


7

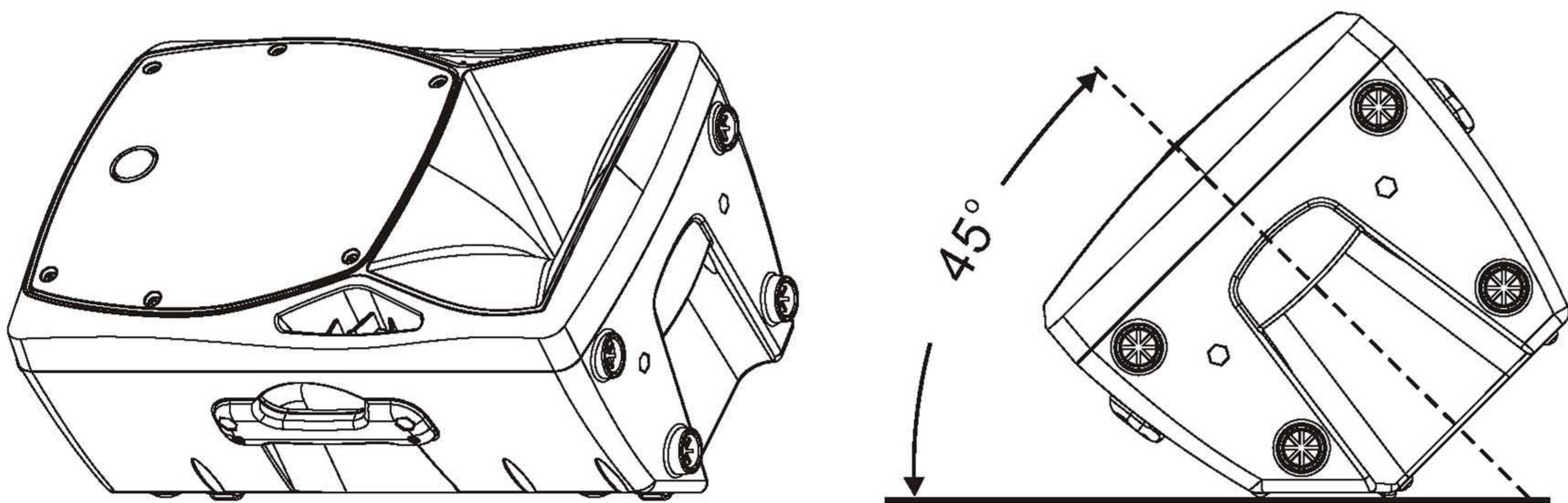
Rigging

The X series speaker cabinet also provides the suspension points for installation.
(M10x1.5PH LENGTH: 30mm).

For further details, please refer to the right illustration(OPTIONAL FUNCTIONAL)



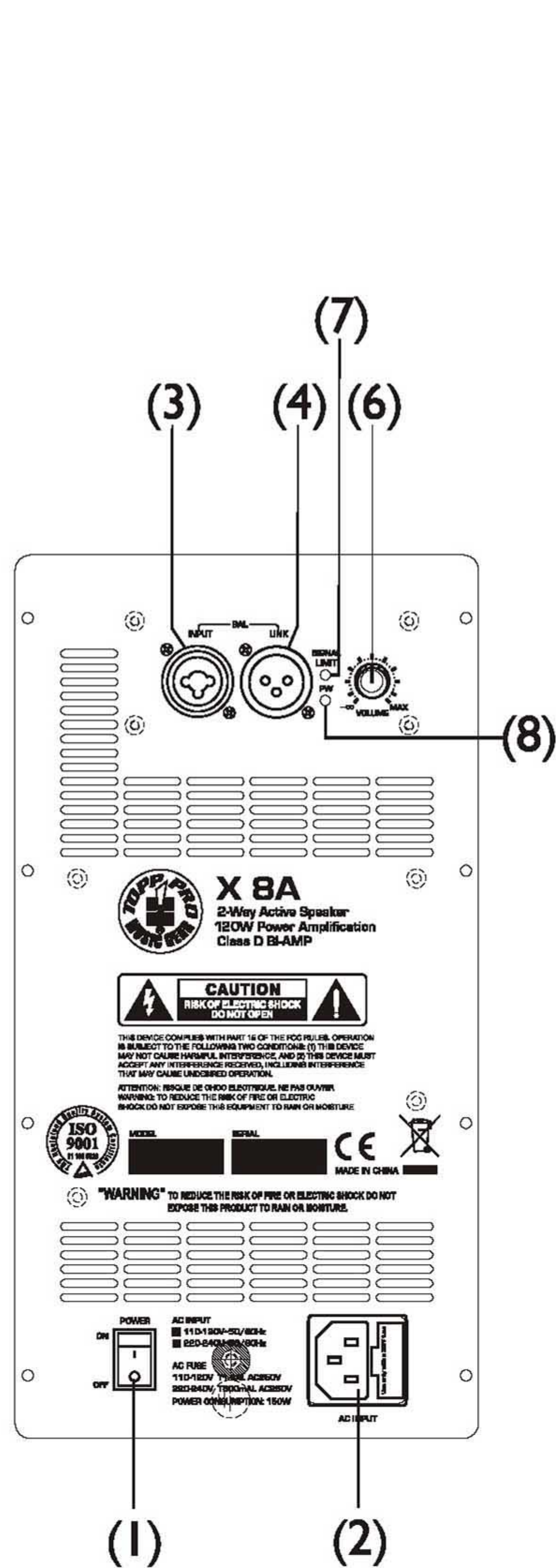
The floor use is as a function of a monitor when the angle is 45°



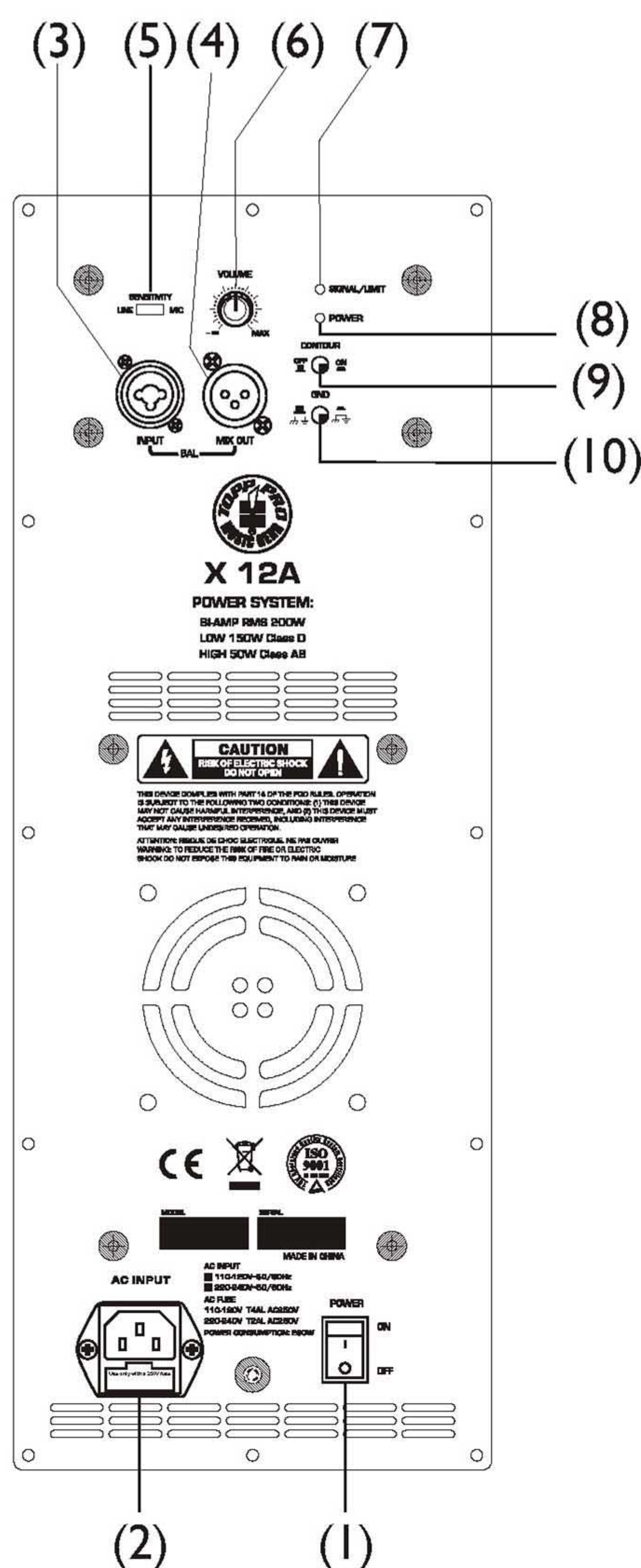
Panel Description

AMP INTERFACE

- (1) BI-POLAR MAIN POWER SWITCH
 - (2) AC POWER SOCKET WITH MAIN FUSE
 - (3) LINE/MIC INPUT ON COMBO CONNECTOR (X 8A /10A ONLY LNE IN)
 - (4) MIX OUT ON XLR CONNECTOR (X 8A /10A ONLY LINK)
 - (5) "INPUT SENSITIVITY" SWITCH FOR LINE & MIC
 - (6) MAIN VOLUME CONTROL
 - (7) CLIP INDICATOR RED LED
 - (8) POWER INDICATOR GREEN LED
 - (9) CONTOUR ON/OFF
 - (10) GROUND SWITCH
- CONTOUR ON preset is to equalize the mix for optimal music play back



X 8A / 10A



X 12A / 15A



8

Panel Description

USB PLAYER

- (a) Insert USB player
- (b) Display the status of USB playing
- (c) Press this key to start playing or Press this key to pause
- (d) Play the last song or decrease the volume after pressing 2 seconds
- (e) Play the next song or increase the volume after pressing 2 seconds
- (f) REPEAT MODE

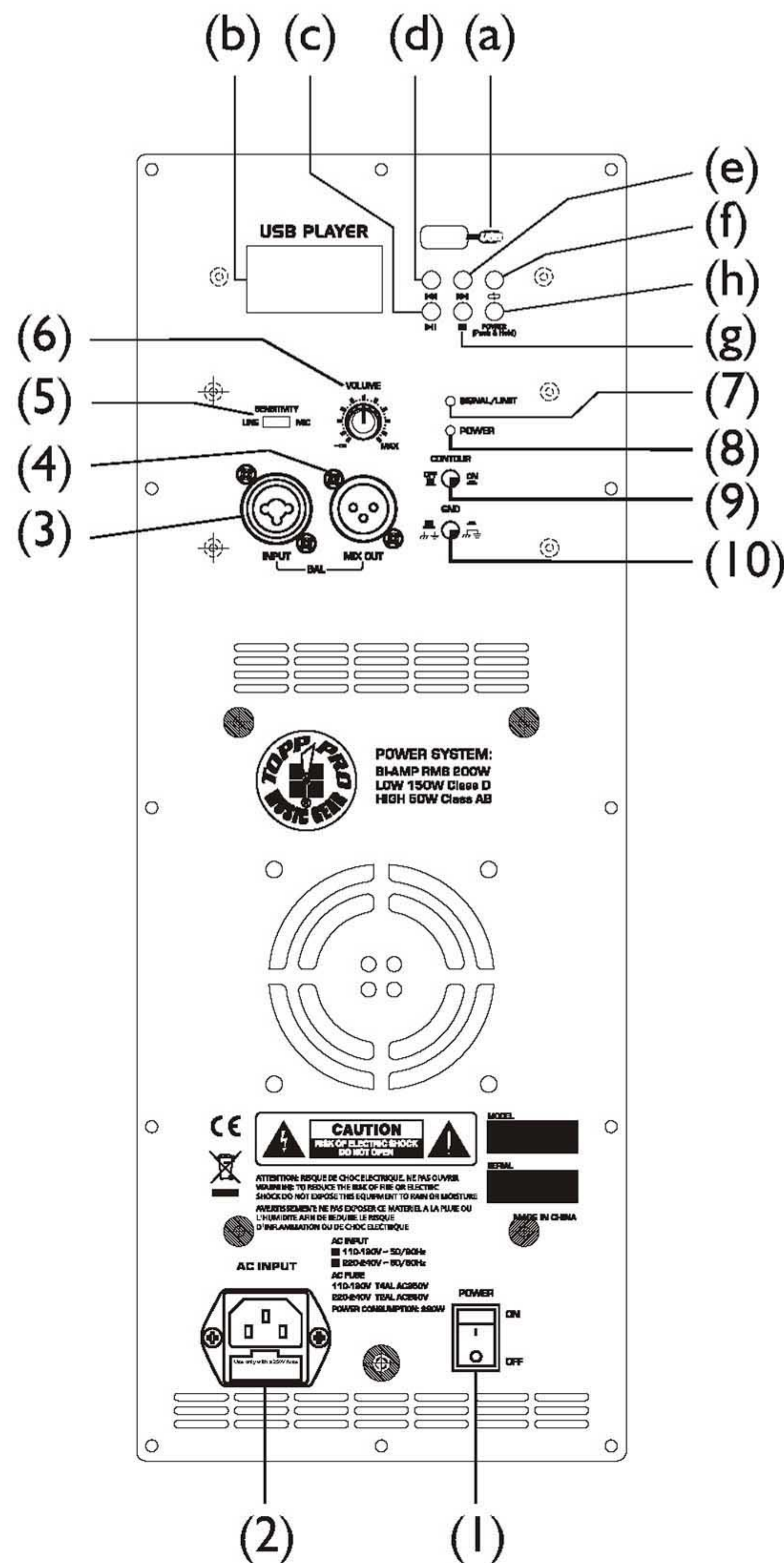
In the opening or playing state, press this key to select the four circling modes in order: Play in order. -----The player plays the files one by one in order. There is no icon displayed on the screen

Repeat I. ---The player repeats the single file you select. The mark on the screen is

Repeat ALL---The player repeats all the files in the store equipment. The mark on the screen is

Random play---The player plays the files at random. The mark on the screen is "REP"

- (g) Stop playing
- (h) Press this key to switch the power



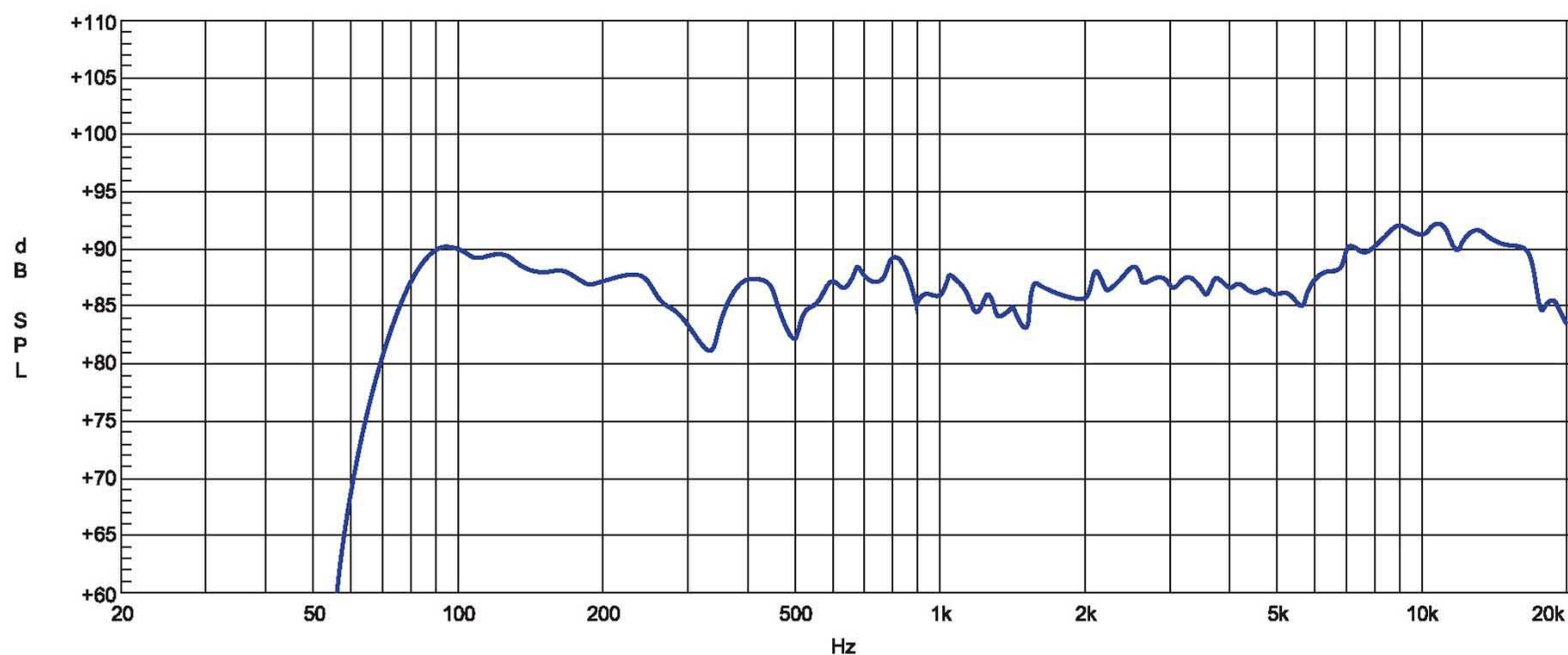
X 12A-MP / X 15A-MP



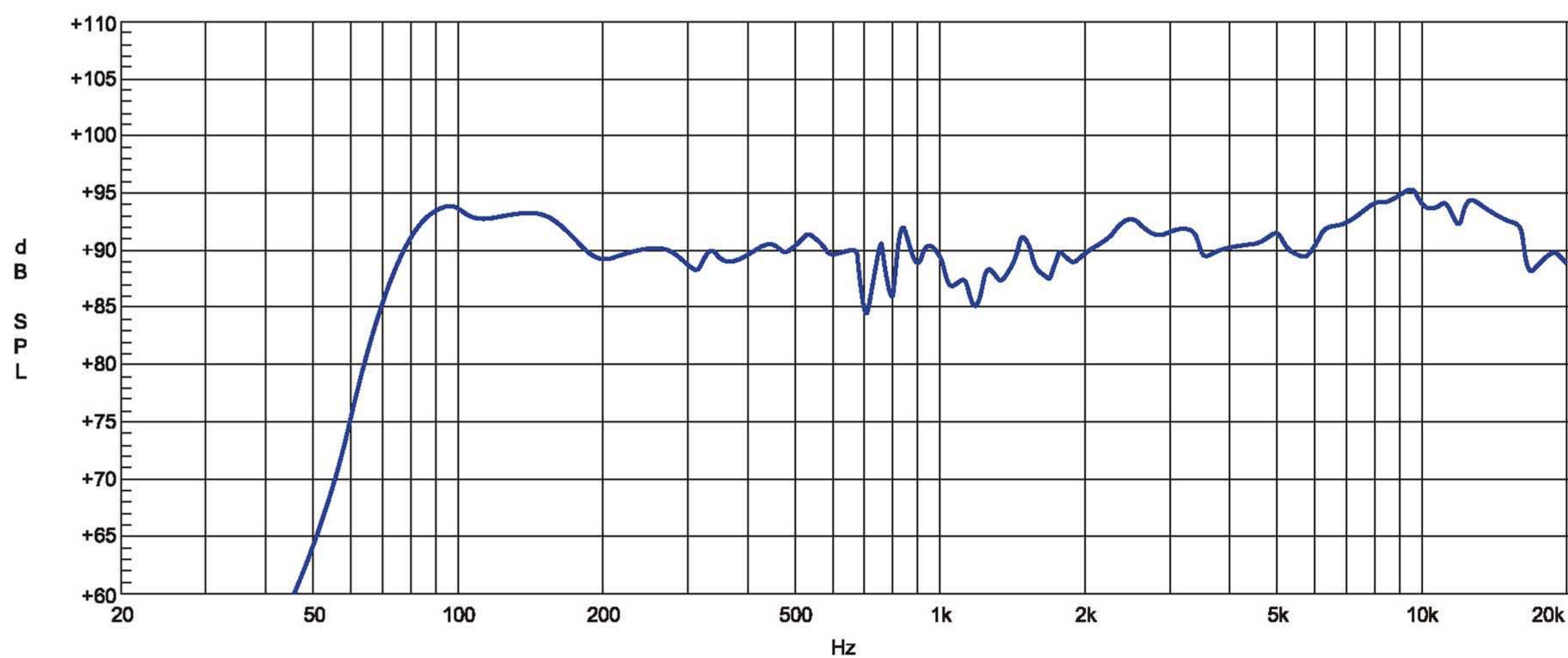
9

Frequency Response Diagram

X 8A



X 10A

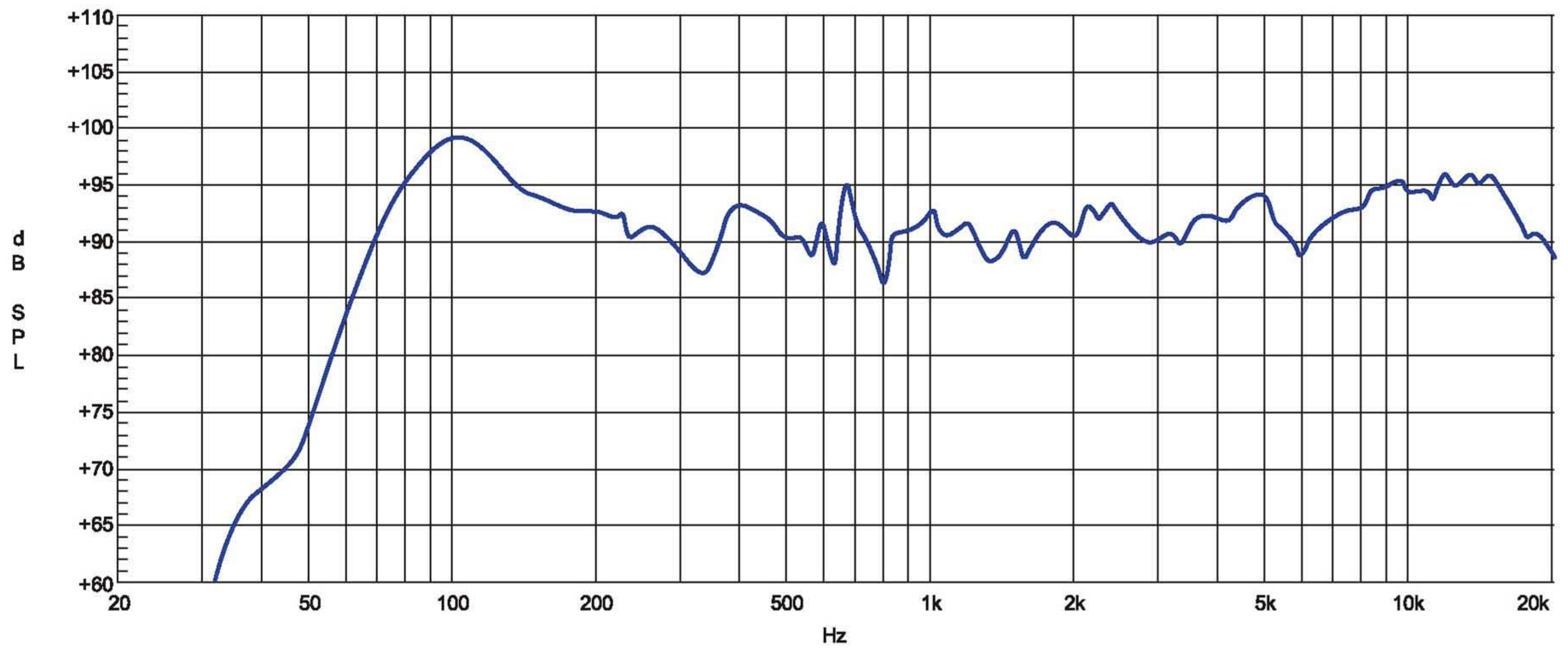




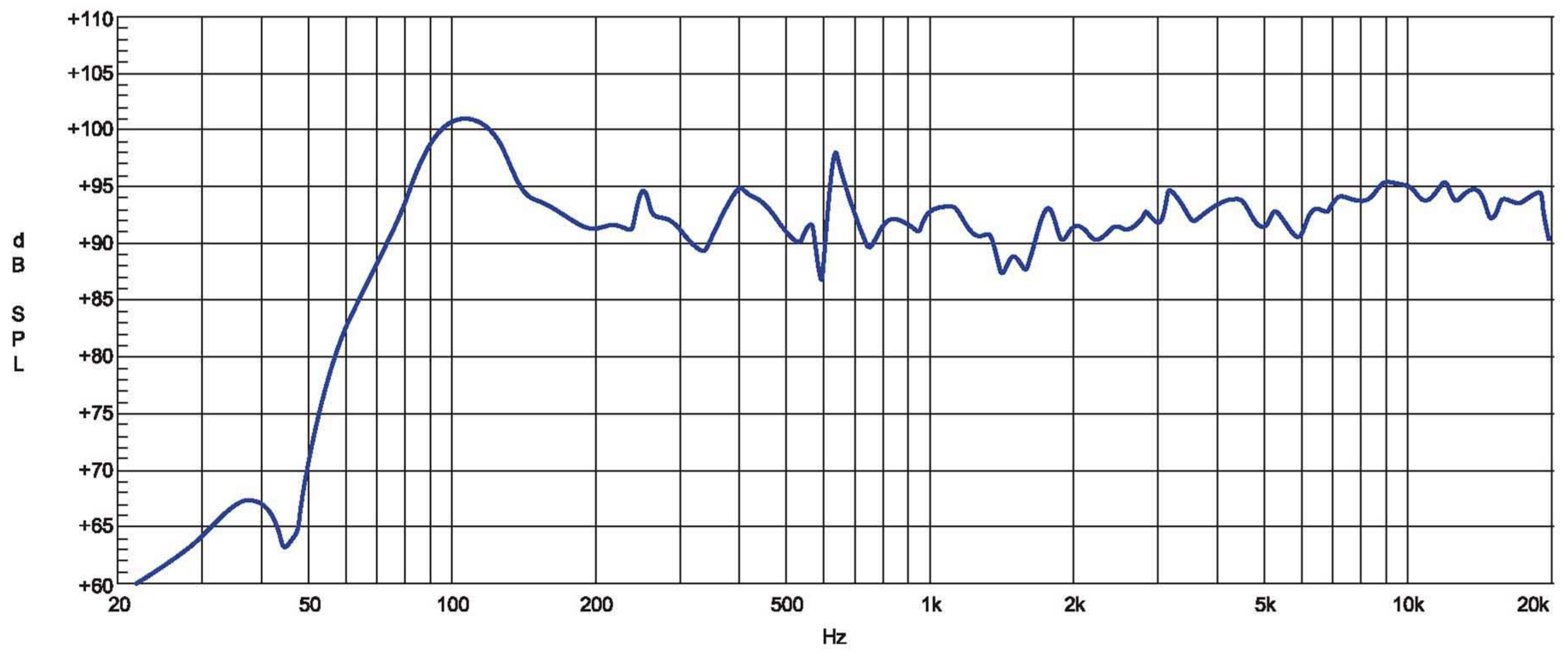
9

Frequency Response Diagram

X 12A / X 12A-MP

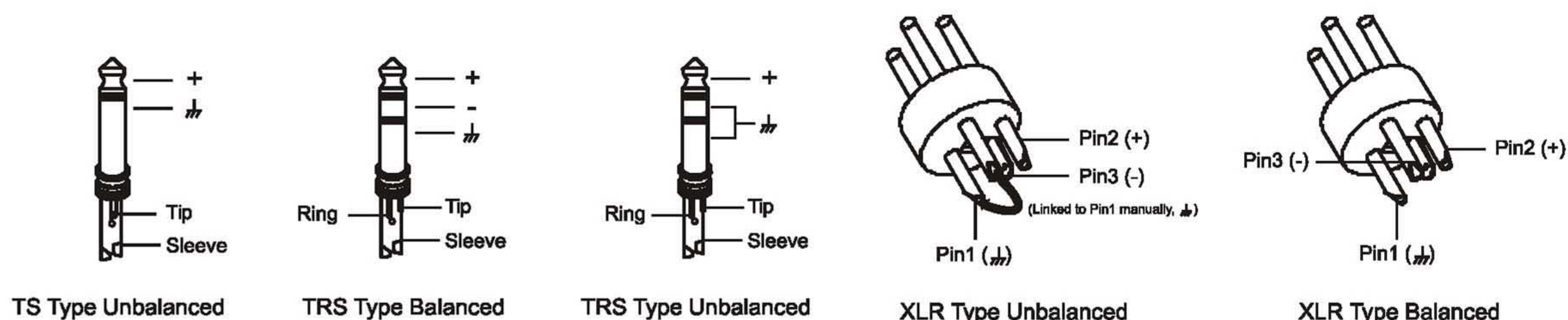


X 15A / X 15A-MP



Wire Connections

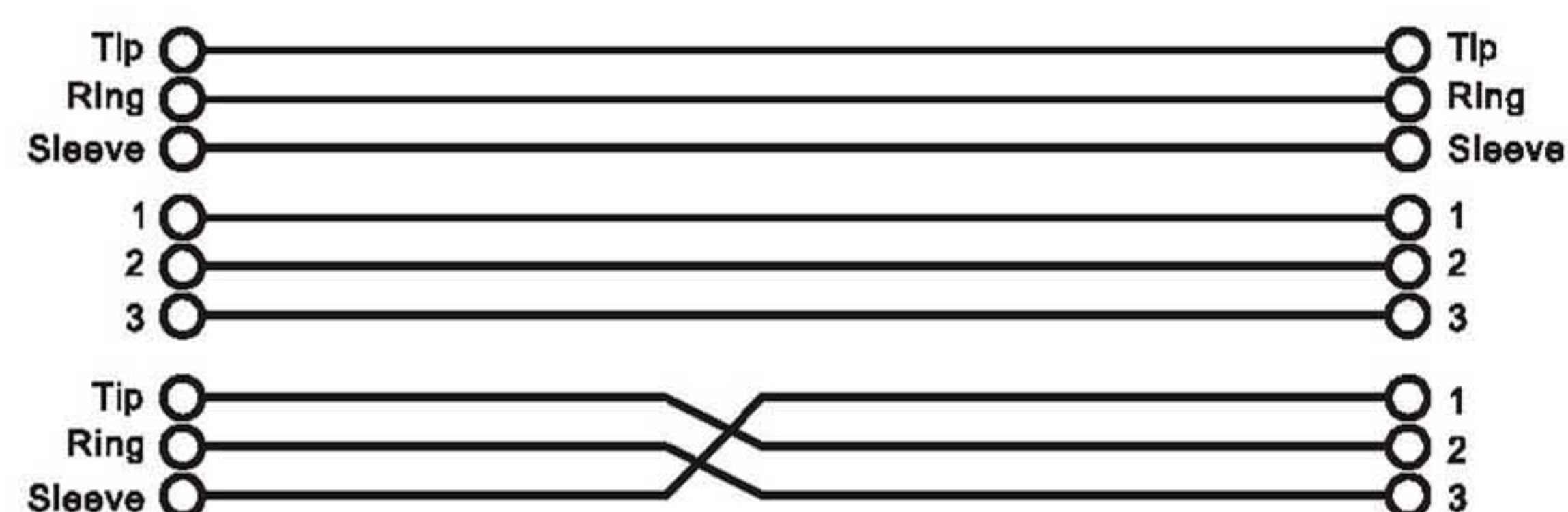
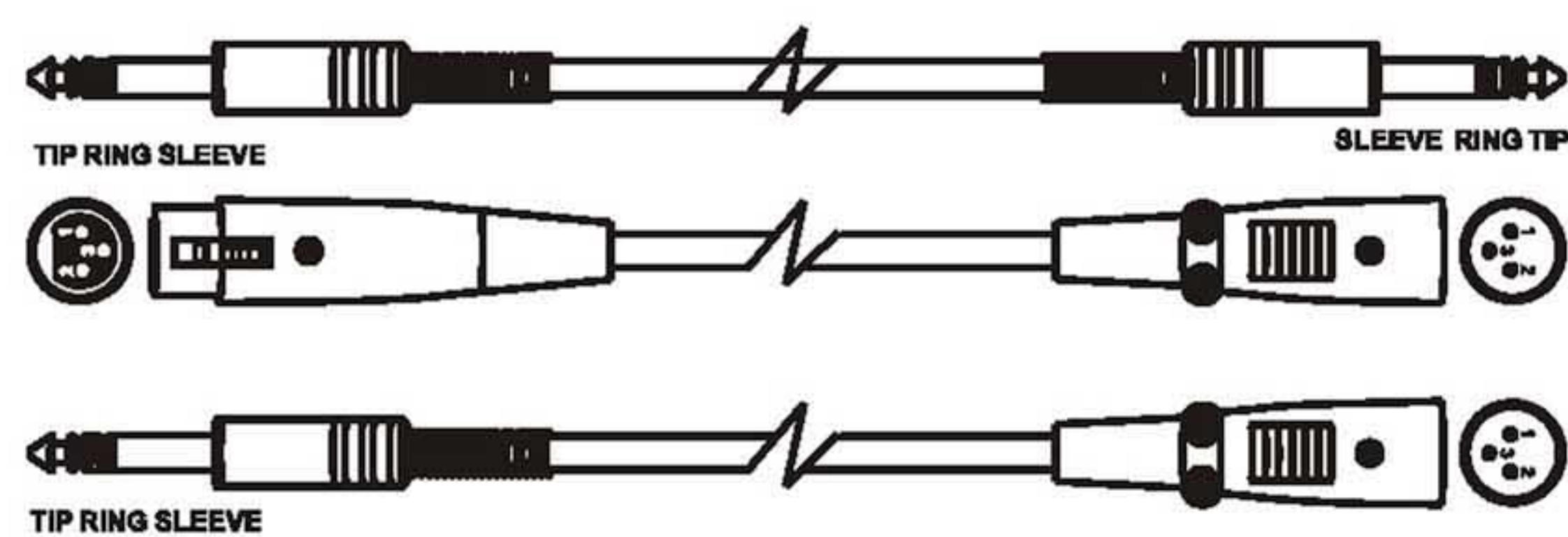
Both connectors, 1/4" XLR or TRS, can be wired in balanced or unbalanced way, depending on the work necessity. The following ones are examples of how these connectors can be wired:



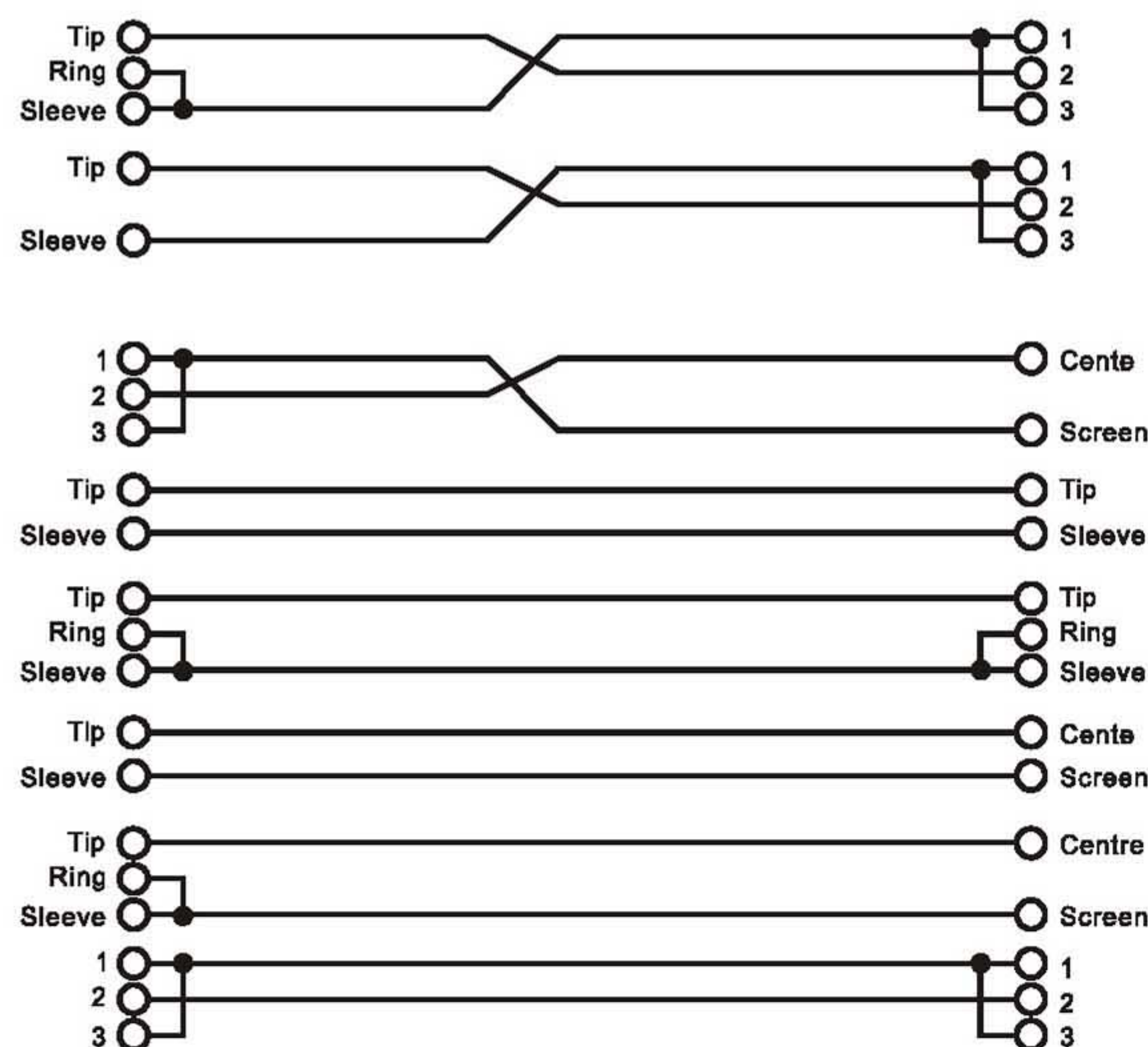
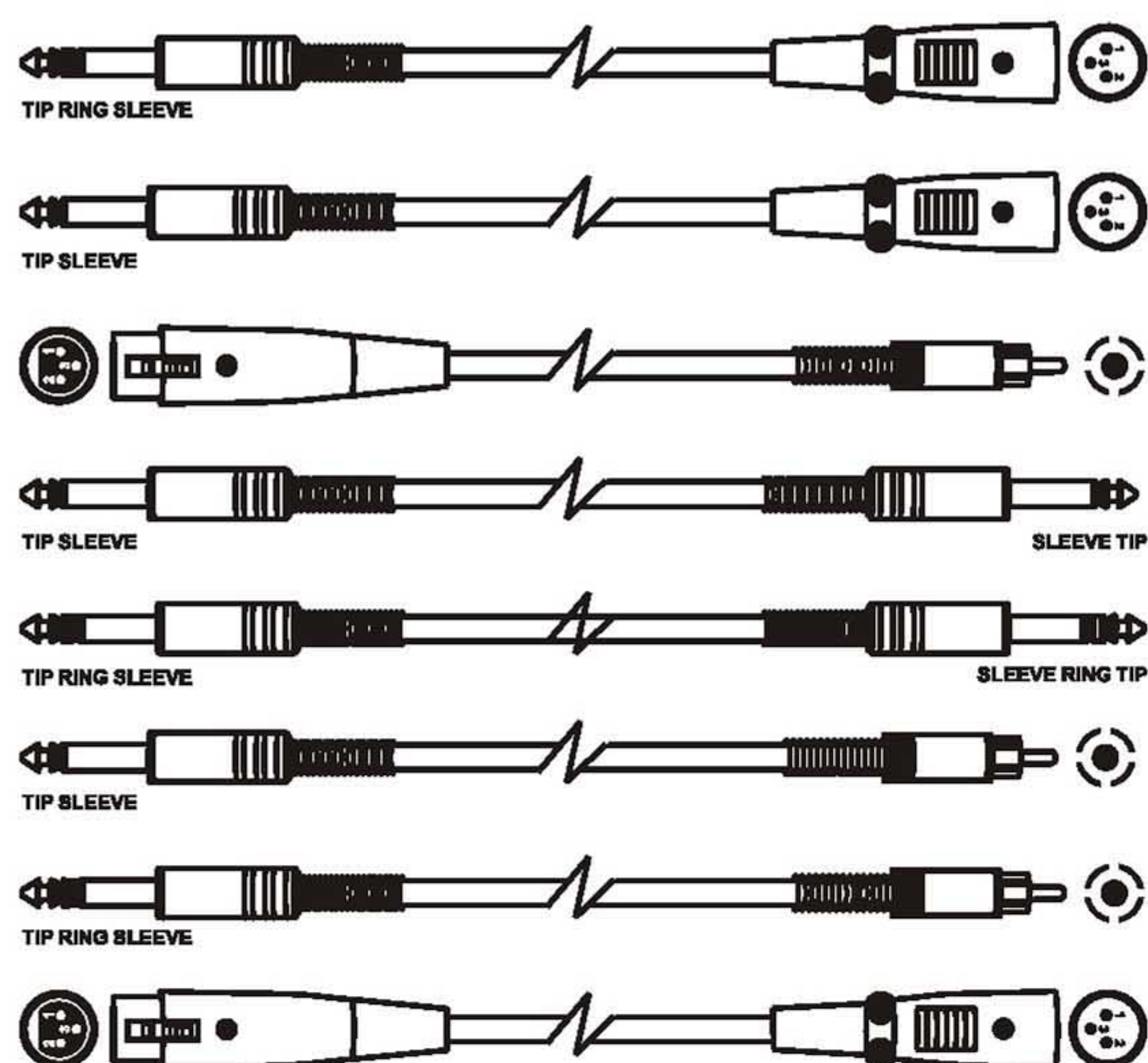
For Active Speaker Cabinets

As to these circumstances, audio connections is mostly intended for the signal flow, so, determine the wire configuration according to your real application system and its connecting facility. Normally, you have the following choices:

• Balanced



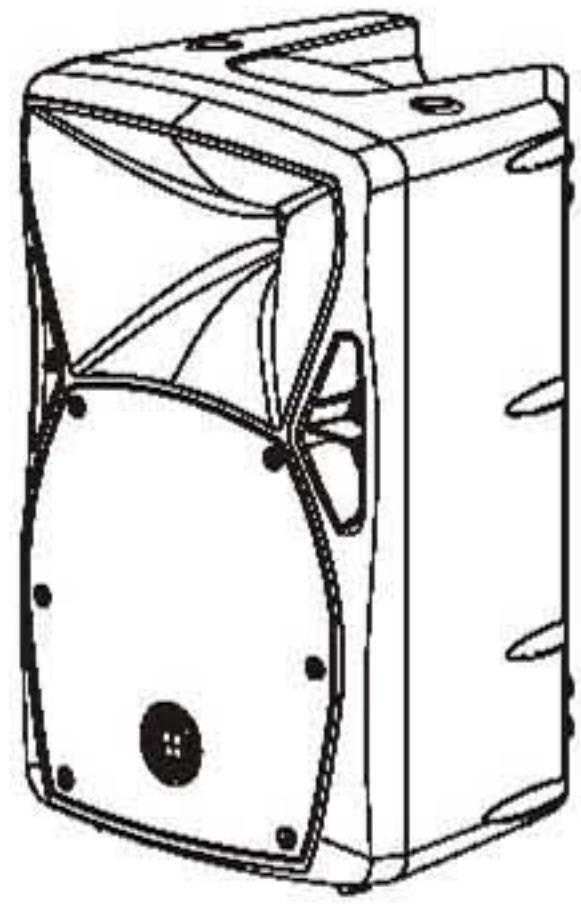
• Unbalanced



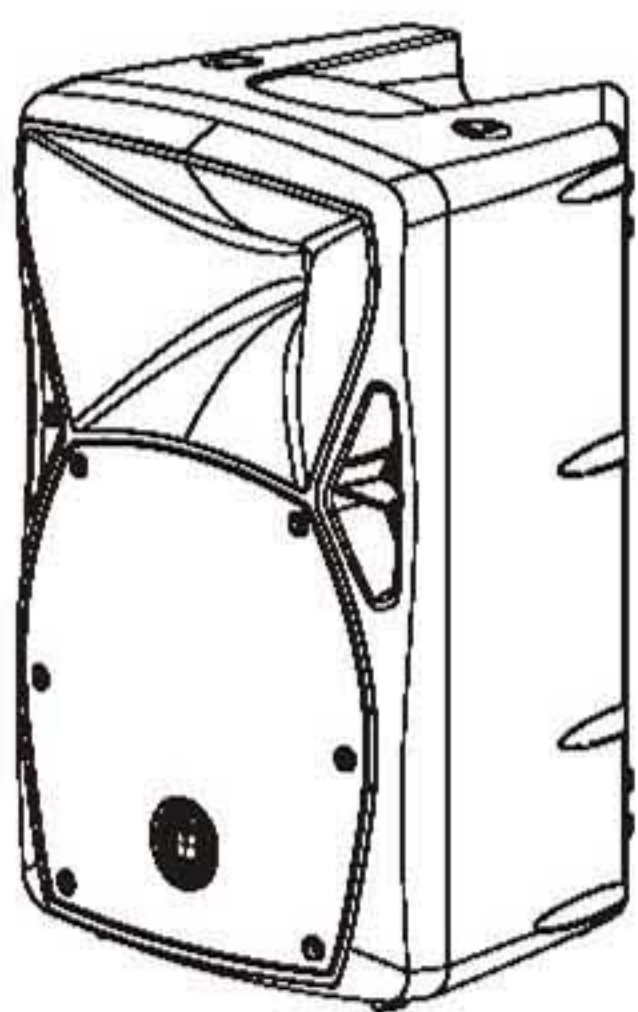


11

Technical Specifications

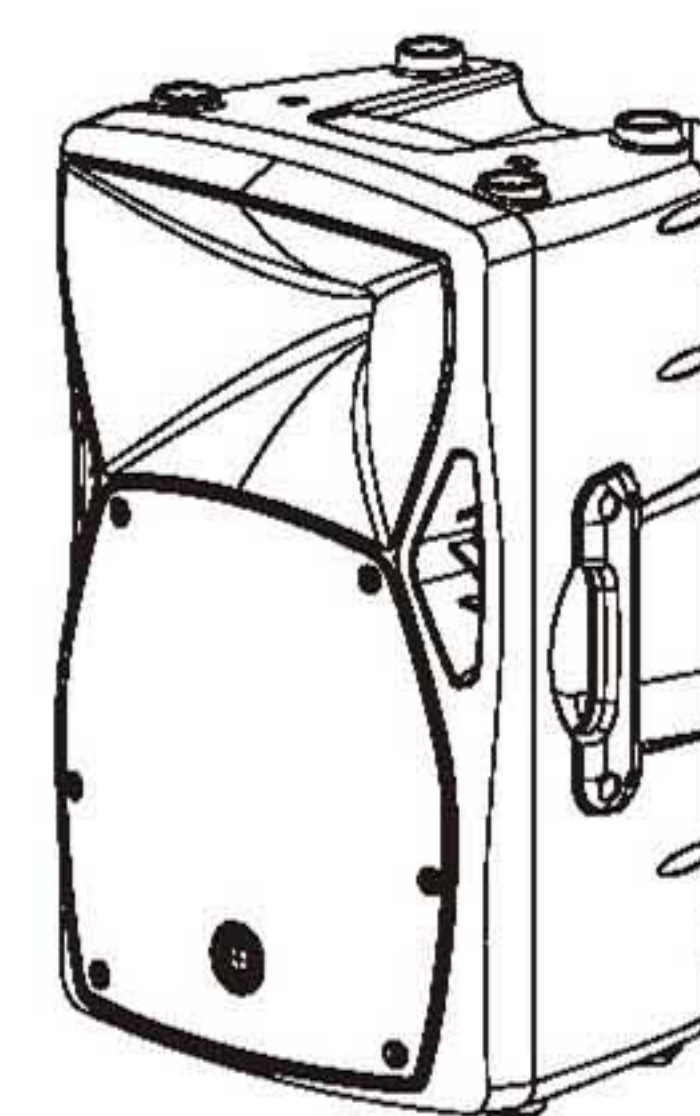


Model Active	X 8A
System Type	2-Way Active Vented Speaker
Transducer Low	8" Woofer, 1.5"voice coil
Transducer Driver	1" Ferrite Twitter, 1" Voice Coil
Horn Coverage H°XV°	90°H x 60°V
Frequency Response	68Hz-20KHz (-6dB)
Crossover Frequency	2000Hz
Max SPL(1M)	113dB Max.
Power system	Class D SMPS (Bi-AMP , LF 90W/RMS + HF 30W/RMS), 480W Peak
Connector	Line In&Link With XLR
External Controls	Volume Control/Power ON with Green LED//Clip Limiter with Red LED
Electronic Protections	Thermal/Overload/Analog limiter/Compressor
Power Supply	100V-240V ~50/60Hz
Enclosure Construction	Plastic cabinet,Trapezoidal & Monitor shape,Metal grille, 1*Handle-On Top
Mounting	36mm standard pole-mount
Dimensions (HxWxD)	420*270*240 mm
Net Weight	5.53 kg/12.2lbs



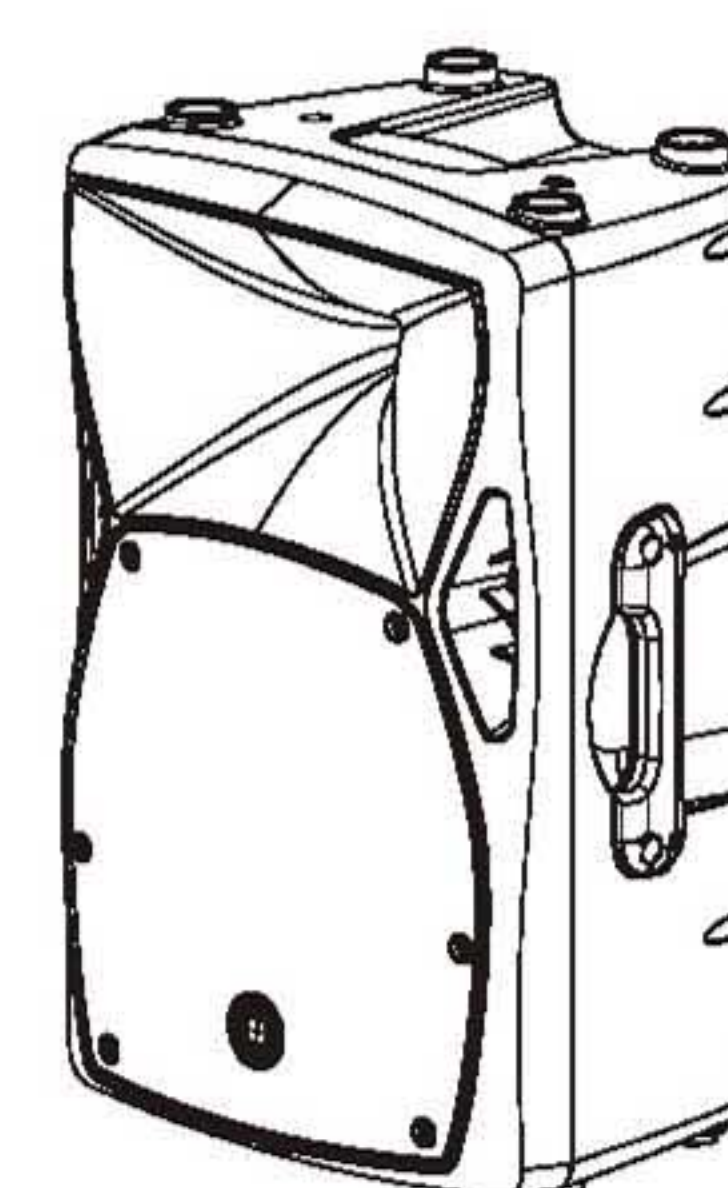
Model Active	X 10A
System Type	2-Way Active Vented Speaker
Transducer Low	10" Woofer, 1.5"voice coil
Transducer Driver	1" Ferrite Twitter, 1" Voice Coil
Horn Coverage H°XV°	90°H x 60°V
Frequency Response	65Hz-20KHz (-6dB)
Crossover Frequency	1900Hz
Max SPL(1M)	116dB Max.
Power system	Class D SMPS (Bi-AMP , LF 90W/RMS + HF 30W/RMS), 480W Peak
Connector	Line In&Link With XLR
External Controls	Volume Control/Power ON with Green LED//Clip Limiter with Red LED
Electronic Protections	Thermal/Overload/Analog limiter/Compressor
Power Supply	100V-240V ~50/60Hz
Enclosure Construction	Plastic cabinet,Trapezoidal & Monitor shape,Metal grille, 1*Handle-On Top
Mounting	36mm standard pole-mount
Dimensions (HxWxD)	460*285*265mm
Net Weight	6.92 (kg)/15.26lbs

Technical Specifications



Model Active	X 12A / X 12A-MP
System Type	2-Way Active Vented Speaker
Transducer Low	12" Woofer, 2" Voice Coil
Transducer High	1" Neodymium Driver, 1" Voice Coil
Horn Coverage H°XV°	90°H x 60°V
Frequency Response	60Hz-20KHz (-6dB)
Crossover Frequency	2100Hz
Max SPL(1M)	118dB Max.
Power system	200W Continuous Bi-Amp Analog Processor(Low: 150W / High:50W), PEAK 800W
Connector	Line/Mic Input with Combo &Link with XLR
External Controls	Volume Control/Line&Mic Switch/Contour on/Power on with Green LED/ Clip Limiter with Red LED/Ground Lift.
Electronic Protections	Thermal/Overload/Analog Limiter/Compressor
Power Supply	110-120V~50/60Hz or 220-240V~50/60Hz Switchable
Enclosure Construction	Plastic Cabinet, Trapezoidal & Monitor Shape, Metal Grille, Rubber feet,3* Handles (Top and both sides)
Mounting	36mm standard pole-mount
Dimensions (HxWxD)	607*380*337mm
Net Weight	13.75kg/30.31 lbs

Model Active	X 15A / X 15A-MP
System Type	2-Way Active Vented Speaker
Transducer Low	15" Woofer, 2" Voice Coil
Transducer High	1" Neodymium Driver, 1" Voice Coil
Horn Coverage H°XV°	90°H x 60°V
Frequency Response	55Hz-20KHz(-6dB)
Crossover Frequency	2100Hz
Max SPL(1M)	119dB Max.
Power system	200W Continuous,Bi-Amp Analog Processor(Low: 150W / High:50W), PEAK 800W
Connector	Line/Mic Input With Combo &Link With XLR
External Controls	Volume Control/Line&Mic Switch/Contour on/Power on with Green LED/ Clip Limiter with Red LED/Ground Lift.
Electronic Protections	Thermal/Overload/Analog Limiter/Compressor
Power Supply	110-120V~50/60Hz or 220-240V~50/60Hz Switchable
Enclosure Construction	Plastic Cabinet, Trapezoidal & Monitor Shape, Metal Grille, Rubber feet,3* Handles (Top and both sides)
Mounting	36mm standard pole-mount
Dimensions (HxWxD)	625*386*366mm
Net Weight	14.86kg/32.80 lbs





12

WARRANTY

Topp Pro guarantees the normal operation of the product against any defect of manufacture and/or vice of material, by the term of (12) months, counted as of the date of purchase on the part of the user, committing itself to repair or to change, to its election, without position some, any piece or component that will fail in normal conditions of use within the mentioned period.

This guarantee is valid if the original buyer will have to present/display this certificate properly sealed and signed by the selling house, accompanied by the corresponding invoice of purchase where it consisted the model and serial number of the acquired equipment.

The guarantee does not cover:

- Damages caused by the illegal use of the product, repair and/or non authorized modification conducted by people by **Topp Pro**.
- Damages caused by the connection of the equipment to other equipment different from the specified ones in the manual of use, or by bad connection to these last ones.
- Damages caused by electrical storms, blows and/or incorrect transport.
- Damages caused by excesses or falls of tension in the network or by connection to networks with a tension different from the required one by the unit.
- Damages caused by the presence of sand, acid of batteries, water, or any strange element inside the equipment.
- Deteriorations produced by the course of the time, use and/or normal wear of the unit.
- Alteration or absence of the serial number of factory of the equipment.

The repairs could only be carried out the authorized technical service by **Topp Pro**, that will inform about the term and other details into the repairs to take place according to this guarantee.

Topp Pro, will repair this unit in counted a term non greater to 30 days as of the date of entrance of the unit to the Technical Service. In those cases in that due to the particularity of the spare part, outside necessary their import, the repair time and the viability of the same one will be subject to the effective norms for the import of parts, in which case one will inquire to the user about the term and possibility into repair.

With the object of its correct operation, and of the validity of this one guarantee, this product will have to be installed and to be used according to the instructions that are detailed in the manual associate or the package of the product.

This unit will be able to appear for its repair, next to the invoice of purchase (or any other proof where the date of purchase consists), to its authorized distributor **Topp Pro** or an authorized technical center on watch by **Topp Pro**.

Exclusion of damages:

THE RESPONSABILITY OF TOPP PRO BY ANY DEFECTIVE PRODUCT IS LIMITED THE REPAIR OR THE REPLACEMENT OF HE HIMSELF, TO TOPP OPTION PRO. IF WE CHOSE TO REPLACE THE PRODUCT, THE REPLACEMENT CAN BE A RECONDITIONATED UNIT. TOPP PRO WILL NOT BE RESPONSIBLE BY THE DAMAGES BASED ON THE LOST, INCONVENIENCE, LOSS OF USE, BENEFITS, LOST SAVINGS, BY THE DAMAGE TO OTHER EQUIPMENT OR OTHER ARTICLES IN THE USE SITE, OR BY ANY OTHER DAMAGE IF HE IS FORTUITOUS, CONSEQUENT OR OF ANOTHER TYPE, ALTHOUGH TOPP PRO HAS BEEN NOTICED OF THE POSSIBILITY OF SUCH DAMAGES.

Some states do not allow to the exclusion or the limitation to the fortuitous or consequent damages, so the aforesaid limitation can not be applied to you.

This guarantee gives specific legal rights, you can also have other right that varies of state to state.



TOPP PRO MUSIC GEAR

www.topppro.com



S E R I E S



Manual de Usuario

SISTEMAS DE GABINETES PROFESIONALES X 8A / 10A / 12A / 15A / X 12A-MP / X 15A-MP

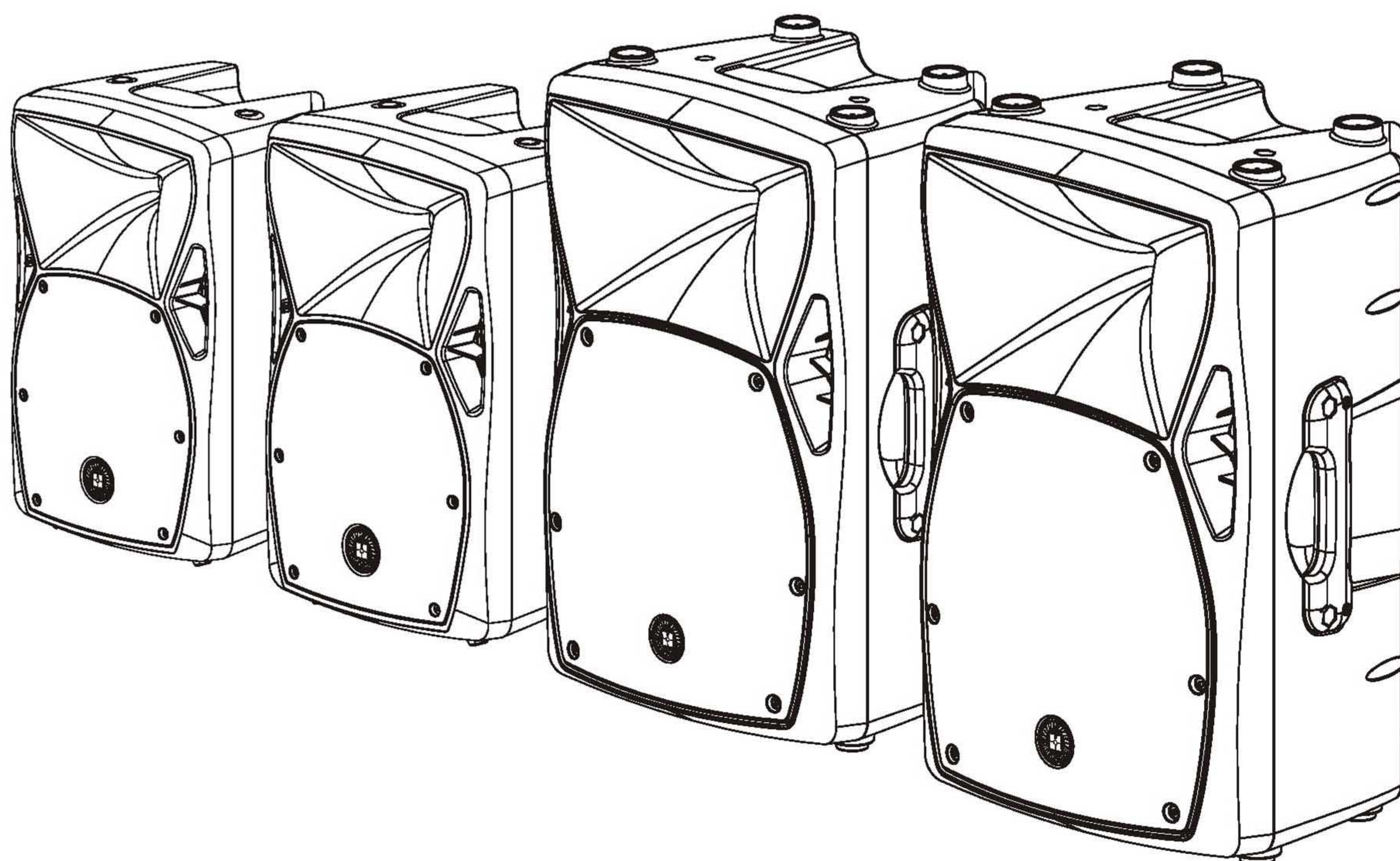
8"

10"

12"

15"

Gabinete
ACTIVO





Símbolos Relacionados con Seguridad



ATENCIÓN
Para reducir el riesgo de incendio o choque eléctrico no exponga este aparato a la lluvia o humedad.

No remueva los paneles
En el interior del producto hay áreas en las que hay altos voltajes. No quite los paneles hasta desconectar el cable de la red principal de alimentación. Los paneles deben ser removidos solo por personal de servicio calificado. No hay partes útiles para el usuario en el interior.



Este símbolo siempre es utilizado para alertarle de la presencia de voltajes peligrosos dentro de ésta unidad. Estos voltajes pueden constituir suficiente riesgo de un choque eléctrico.



Este símbolo siempre es utilizado para alertarle de importantes instrucciones de operación o de mantenimiento. Por favor cuando lo vea, lea la instrucción.



Terminal de Tierra



AC Principal (Corriente Alterna)



Terminal Peligrosa Viva

ON:

Denota que la unidad está encendida

OFF:

Denota que la unidad está apagada

Advertencia: Describe precauciones que deben tomarse para prevenir la muerte o heridas del usuario.

Precaución: Describe las precauciones que deben ser observadas para prevenir daños en la unidad.

Advertencia

Fuente de Alimentación

Asegúrese de que el voltaje general es igual al voltaje del equipo antes de encender el aparato. No comprobarlo puede resultar en daños al equipo y al usuario. Desconecte el equipo ante la amenaza de tormenta eléctrica o cuando no vaya a usarse por largos períodos de tiempo.

Conexión Externa

La conexión de cableado con conectores vivos requiere que sea realizado por personal instruido o implica la utilización de cableado listo para usar. No usarlo implica riesgo de incendio o muerte.

Fusible

Para prevenir el riesgo de fuego o daños al producto, use solo el tipo de fusible recomendado en este manual. No ponga en cortocircuito el soporte del fusible. Antes de reemplazar el fusible, asegúrese que el producto está apagado y desconectado de la red de electricidad.

Conexión a Tierra

Antes de encender el equipo, asegúrese que está conectado a tierra. Esto prevendrá el riesgo de choque eléctrico. Nunca corte los cables internos o externos. Asimismo, nunca remueva la conexión a tierra.

Instrucciones de Operación

Este aparato no debe ser expuesto a salpicaduras o gotas y no se deben apoyar vasos con líquidos sobre el aparato.

No use este aparato cerca del agua.

Instale este equipo de acuerdo a las instrucciones del fabricante.

No instale el equipo cerca fuentes de calor, tales como radiadores, estufas o cerca de otros aparatos que producen calor.

No bloquee ningún orificio de ventilación. No coloque ninguna fuente de llamas vivas (por ejemplo: candelabros o velas) sobre el aparato.



No deposite ninguna parte de esta unidad en los basureros municipales. Utilice depósitos especiales para esos efectos.

ADVERTENCIA DE TRANSPORTE



Racks y Pedestales

El componente debe ser utilizado únicamente con racks o soportes recomendados por el fabricante.

La combinación de un componente y rack debe moverse con cuidado.

Detenciones rápidas, fuerza excesiva y superficies desparejas pueden causar que el componente, el rack o el pedestal vuelquen.

INSTRUCCIONES IMPORTANTES DE SEGURIDAD

- Lea estas instrucciones.
- Siga estas instrucciones.
- Guarde estas instrucciones.
- Tenga en cuenta todas las advertencias.
- Use solo accesorios especificados por el fabricante.

Cable de alimentación y conexión

No altere el cable y el enchufe. Un enchufe polarizado tiene 2 patas con una más ancha que la otra. Un enchufe con toma a tierra posee 2 patas y una tercera es la conexión a tierra. Son diseñados teniendo en cuenta su seguridad. No quite la conexión a tierra!!

Conecte el equipo a un tomacorriente cercano, de fácil acceso y con protección a tierra.

Si su enchufe no entra en su tomacorriente requiera la ayuda de un electricista calificado.

Proteja al cable y al enchufe de cualquier presión física para evitar riesgo de choque eléctrico.

No coloque objetos pesados sobre el cable de alimentación. Esto puede causar choque eléctrico o fuego.

Limpieza

De ser necesario, sople el polvo del producto o utilice un paño seco. No use solventes tales como: bencina, alcohol u otro fluido muy inflamable y volátil para limpiar el aparato.

Servicio Técnico

Para servicio técnico consulte solo con el personal de servicio calificado. Para reducir el riesgo de choque eléctrico, no realice ningún tipo de servicio más allá del descrito en este manual.

Atención

La exposición a niveles de sonido extremadamente altos puede ocasionar la pérdida de audición de manera irreversible.

La Administración de Seguridad y Salud Ocupacional del gobierno de los Estados Unidos (OSHA), ha especificado los niveles permitidos de exposición. Estos se muestran a continuación:

Horas por día	SPL	Ejemplo
8	90	Concierto pequeño
6	92	Tren
4	95	Subterráneo
3	97	Monitoreo de alto nivel
2	100	Concierto de música clásica
1.5	102	
1	105	
0.5	110	
0.25 o menor	115	Concierto de Rock

Según la OSHA la exposición excesiva a altos niveles de SPL puede provocar sordera. Para prevenirla, recomienda que el personal que trabaja que equipos capaces de generar altos SPL, utilice protección auditiva cuando esos equipos están en operación.



Tabla de contenido

1. INTRODUCCION	4
2. CARACTERISTICAS	4
3. DATOS UTILES	4
4. DIAGRAMA DE CONEXIONES	5
5. CONSEJOS DE INSTALACION	6
6. GUIA RAPIDA	7
7. COLGADO	8
8. DESCRIPCION DEL PANEL TRASERO	9
9. RESPUESTA DE FRECUENCIA	11
10. CONEXIONES DE ALAMBRADO	13
11. ESPECIFICACIONES TECNICAS	14
12. GARANTIA	16

* La serie de gabinetes X es una serie de sonido para uso profesional. Se puede utilizar bajo los siguientes ambientes magnéticos: residencial, comercial, industrial, urbano, aire libre.

* Para esta serie X la corriente pico es 0.9A

** Este dispositivo cumple con el apartado 15 de las Reglas FCC. La operación está sujeta a las siguientes dos condiciones: (1) este dispositivo puede no causar interferencia dañina y (2) este dispositivo debe aceptar cualquier interferencia recibida, incluyendo interferencia que pueda causar un funcionamiento no deseado. Los cambios o modificaciones no aprobadas expresamente por la parte responsable del cumplimiento podrían anular la autoridad del usuario para operar el equipo.

Nota: Este equipo ha sido probado y cumple con los límites para un dispositivo digital clase B, conforme al apartado 15 de las Reglas FCC.

Estos límites están diseñados para proporcionar una protección razonable contra las interferencias dañinas en una instalación residencial. Este equipo genera, utiliza y puede irradiar energía de radiofrecuencia y, si no se instala y utiliza de acuerdo con las instrucciones, puede causar interferencias perjudiciales a las comunicaciones por radio. Sin embargo, no hay ninguna garantía de que no habrá interferencias en una instalación determinada. Si este equipo causa interferencia dañina a la radio o la recepción de televisión, que puede determinarse apagando y encendiendo el equipo, sin embargo se recomienda al usuario que intente corregir la interferencia por uno o más de las siguientes medidas:

- Reorientar o relocalizar la antena receptora.
- Aumentar la separación entre el equipo y el receptor.
- Conecte el equipo a un tomacorriente de un circuito distinto al que está conectado el receptor.
- Consulte al distribuidor o un técnico experimentado en radio/TV.

No se olvide de visitar nuestro sitio web: www.topppro.com
para obtener más información de este y otros productos de **Topp Pro**.



1

Introducción

Gracias por preferir los productos Topp Pro. Estos productos son diseñados por un equipo de ingenieros altamente calificados en la línea de pro-audio, con más de 30 años de experiencia. Cada producto que se entrega al mercado está construido con mucho orgullo y cuidado. Fue fabricado para satisfacer múltiples necesidades y aplicaciones, ofreciendo un valor excepcional a nuestros clientes.

La creatividad y dedicación de nuestros ingenieros, junto con la última tecnología en herramientas y los últimos conceptos en diseños acústicos, crean productos para aplicaciones reales. Todos los productos Topp Pro están probados por los más estrictos estándares y regulaciones de la industria.

Por favor lea este manual cuidadosamente para obtener el máximo rendimiento y funcionalidad de este equipo.

2

Características

- Funcionamiento y Sonido Profesional
- Sistema en 2 Vías Bi-Amplificado Clase D
- Conectores de Entrada Mic/Línea en 1/4 y XLR Balanceado
- Gabinete ABS Reforzado
- Bocina de Alto Rendimiento
- Driver de Alta Definición en Ferrita de 1" (X8A & X10A)
- Driver de Alta Definición en Neodimio de 1" (X12A & X15A)
- Protección Electrónica, sobrecarga y Compresor Limitador
- Agarraderas Ergonómicas
- Cobertura del Difusor: 90°H x 60°V
- Adaptador Estándar para Pedestal

3

Datos útiles

Por favor anote aquí el número de serie para una futura referencia.

Número de Serie:

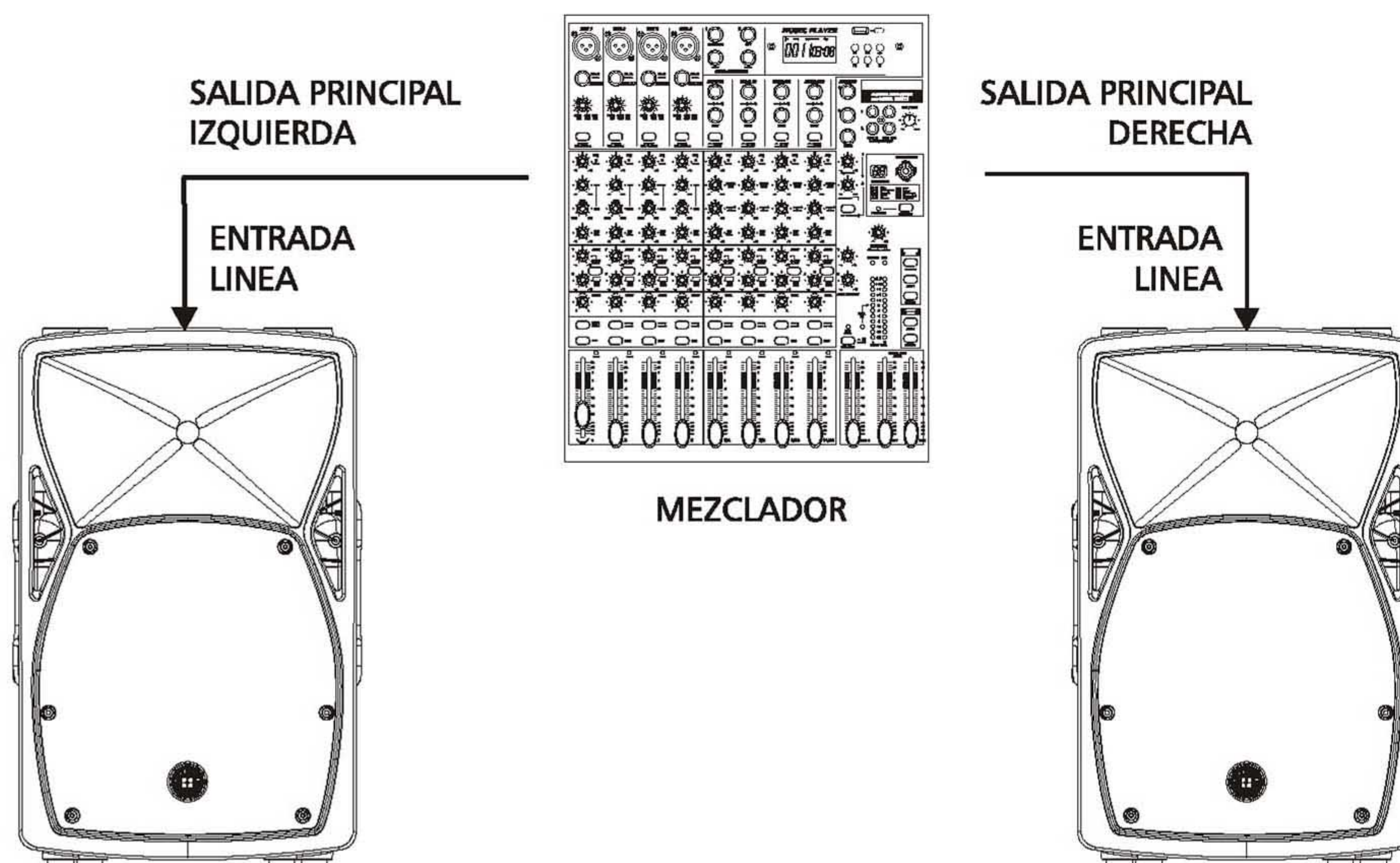
Fecha de Compra:

Adquirido en:

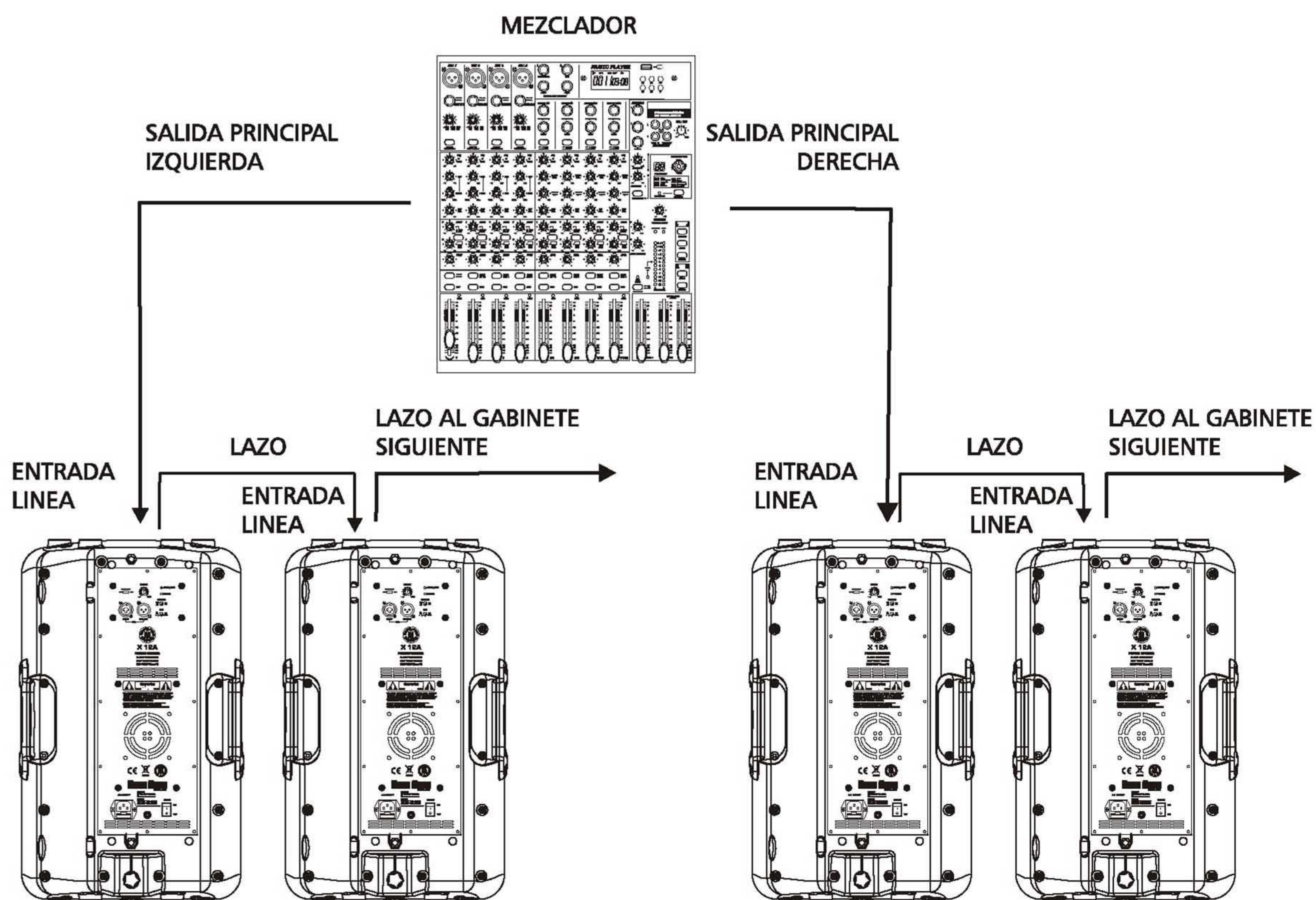
Diagrama de Conexiones

4

Conexión de 2 Gabinetes en Estéreo



Conexión en Estéreo con Múltiples Gabinetes





5

Consejos de Instalación

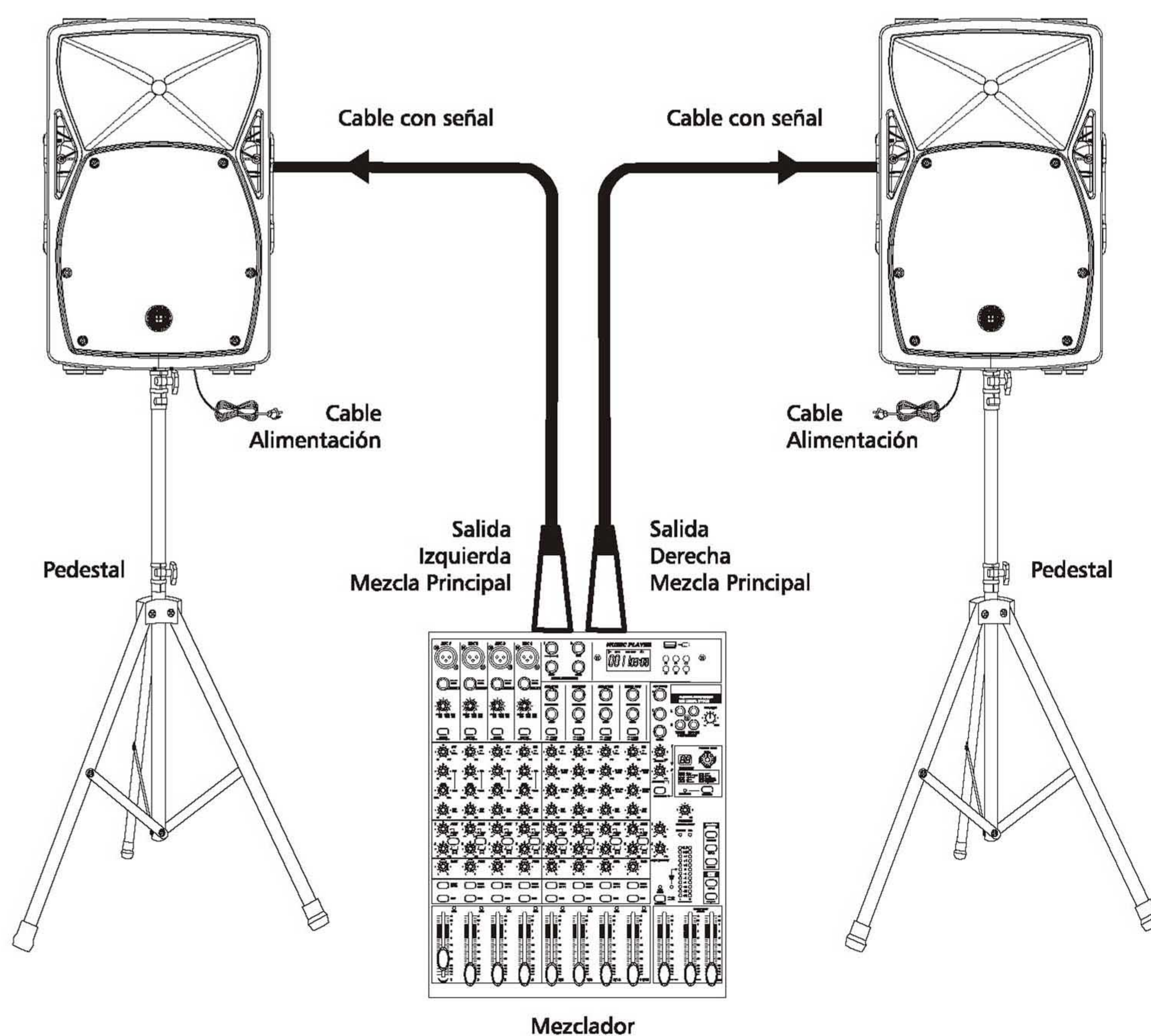
- 1 - Los gabinetes deben ser puestos en una posición que permita la mejor proyección sin que nada los obstruya. En muchos casos será necesario elevar los gabinetes en un trípode o colgarlos para obtener una mayor dispersión y alcance.
- 2 - Utilice materiales de buena calidad cuando tenga que colgar los gabinetes. Tome precauciones de seguridad para prevenir accidentes.
- 3 - Utilice cableado de buena calidad en todas las conexiones, esto asegurará buena calidad y eficiencia en el sonido final.
- 4 - Para mejor resultado y aprovechamiento de su sistema de sonido, asegúrese de que su amplificador tenga un porcentaje de potencia mayor al del consumo de sus gabinetes, esto le evitará la saturación y protegerá sus componentes.
- 5 - Para algunas aplicaciones, se puede combinar un gabinete pasivo con un sub bajo para obtener más profundidad.
- 6 - Para los gabinetes activos que no necesitan un amplificador externo, es recomendable utilizar un mezclador de buena calidad.
- 7 - Evite poner los micrófonos en frente de sus gabinetes o dirigirlos directamente hacia ellos, este evitará la retroalimentación (feedback) que podría destruir los componentes de los gabinetes y que es tan molesto para la audiencia.

Guía Rápida

Antes de hacer cualquier conexión, asegúrese de que todo su equipo esté apagado. Además de que todos los controles de volumen estén totalmente abajo.

Para Sistema Activo de Rango Completo

- 1) Conecte uno de los lados del cable de señal a la salida de su mezclador izquierda / derecha con un conector TRS o XLR y el otro lado del cable a la entrada de línea en el receptor tipo combo de su gabinete activo (con un conector TRS o XLR).
- 2) Conecte el cable de corriente eléctrica.
- 3) Encienda su mezclador primero y después los gabinetes activos.
- 4) Suba el control de volumen de su gabinete activo hasta un 75%
- 5) Utilice la función del PFL para ajustar la entrada del canal del mezclador y manipule el volumen de su equipo desde el control maestro.
- 6) Después de utilizar el equipo, apague primero el gabinete activo y después el mezclador.

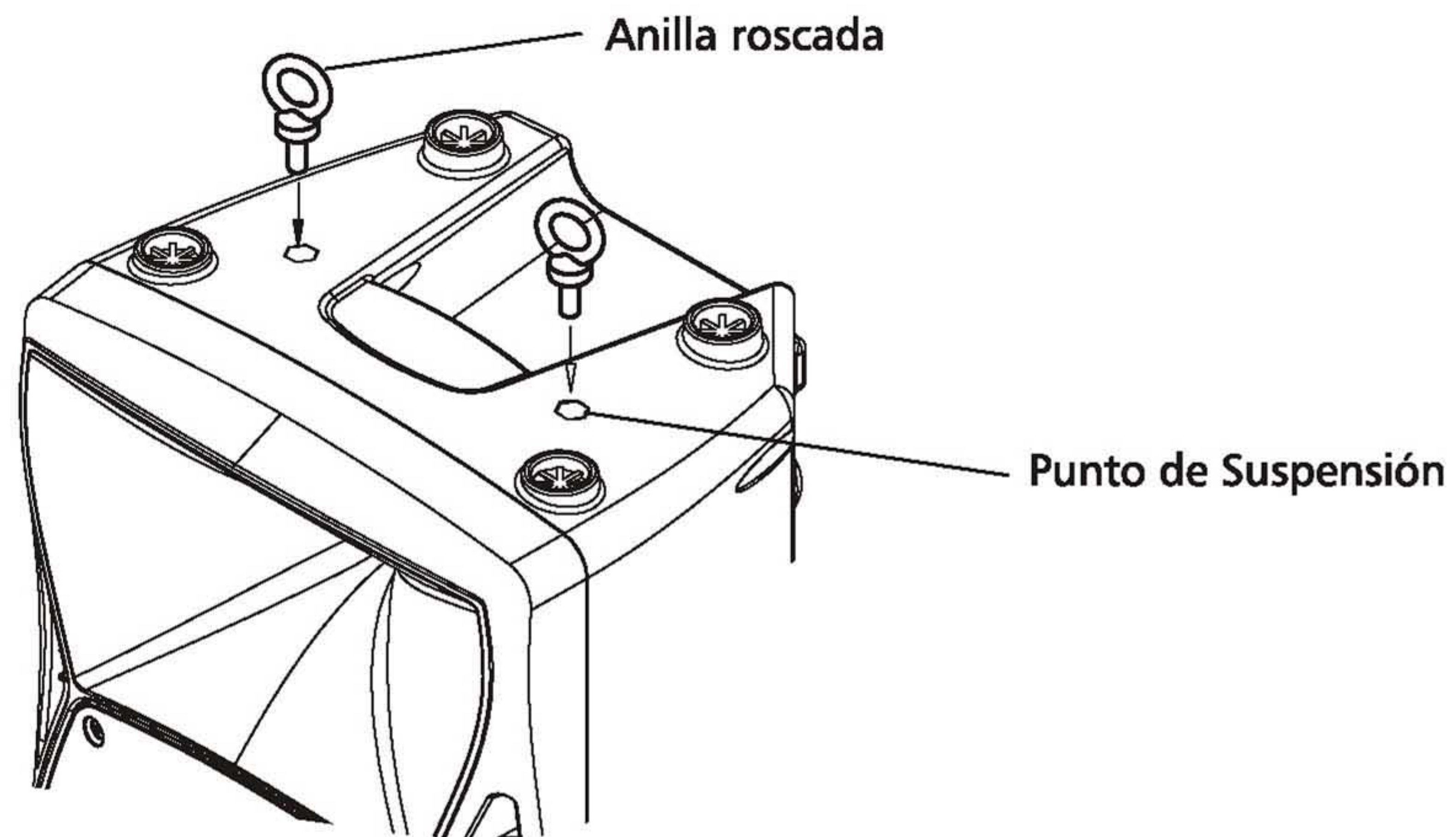




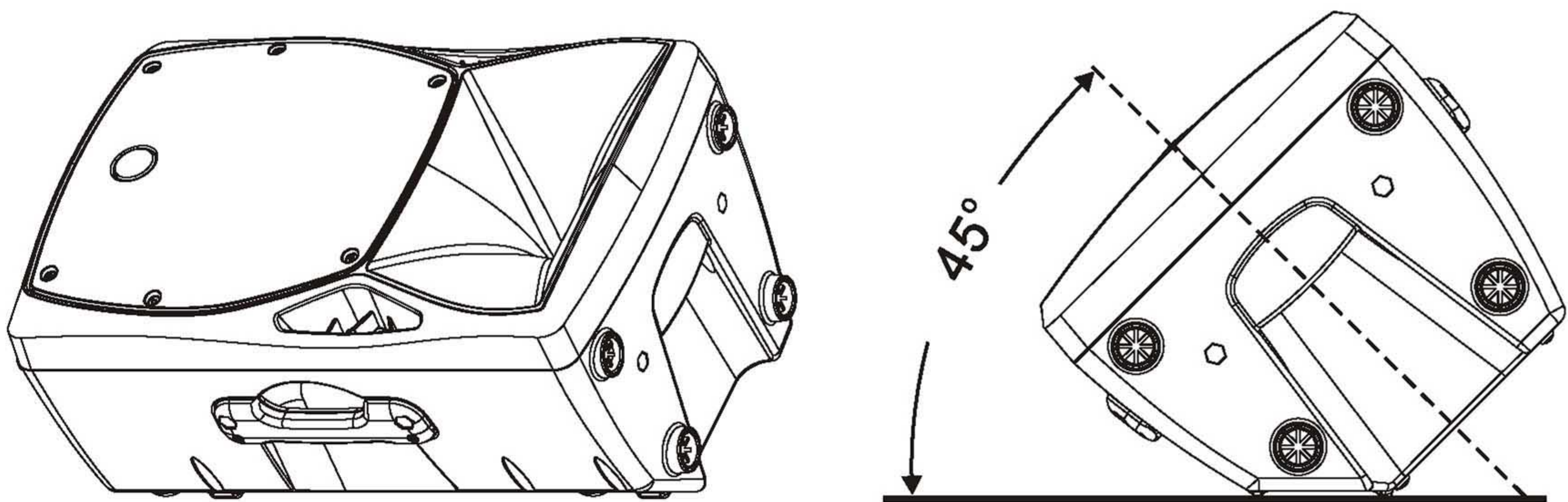
7

Colgado

La serie X de gabinetes esta provista de puntos de suspensión para su instalación colgada. Para más detalle refiérase a la siguiente ilustración. (Tornillos no incluidos)



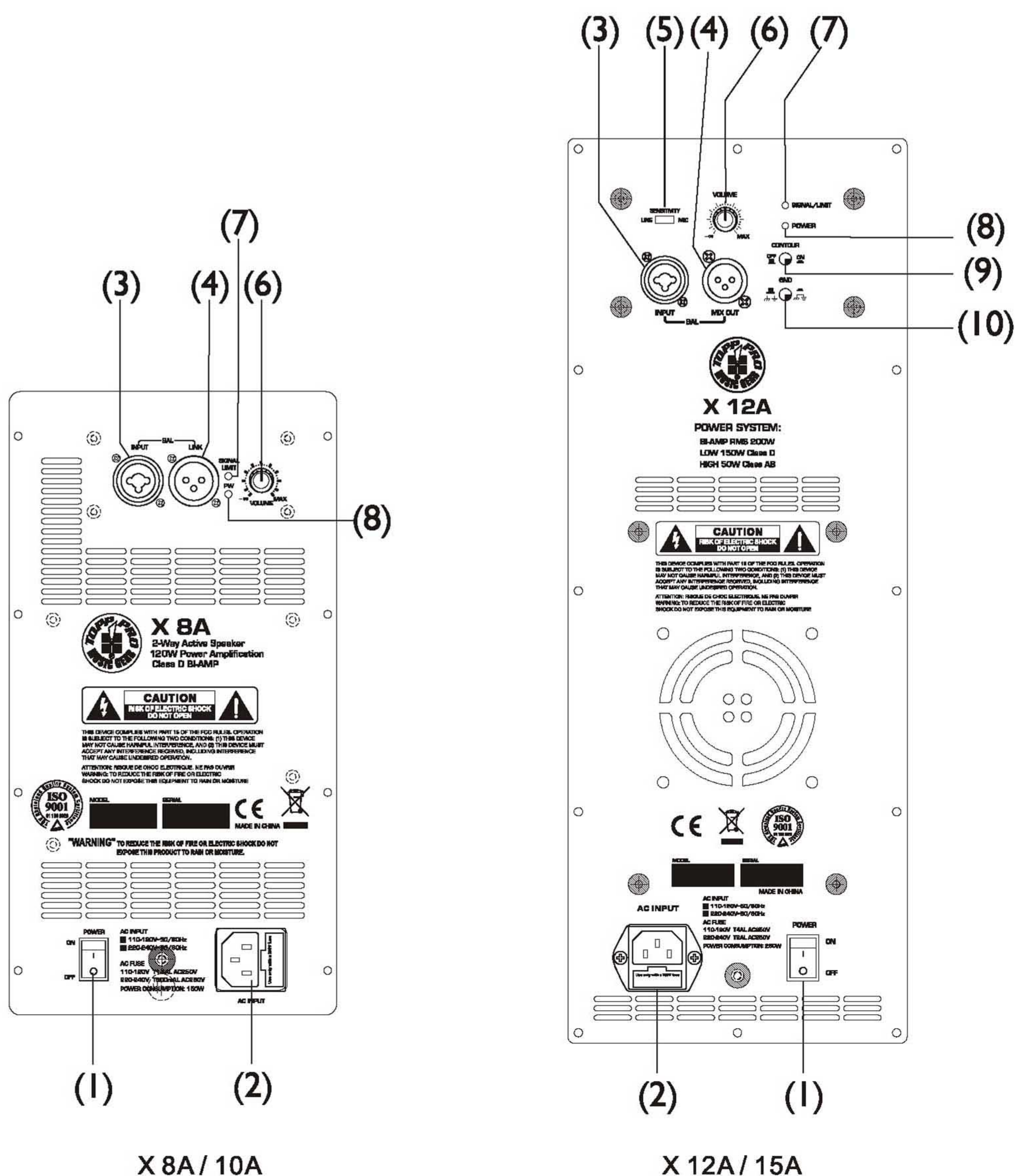
Esta serie tiene la opción de uso como monitor, para eso cuenta con un soporte el cual tiene un ángulo de 45°



Descripción del Panel Trasero

Interface del Amplificador

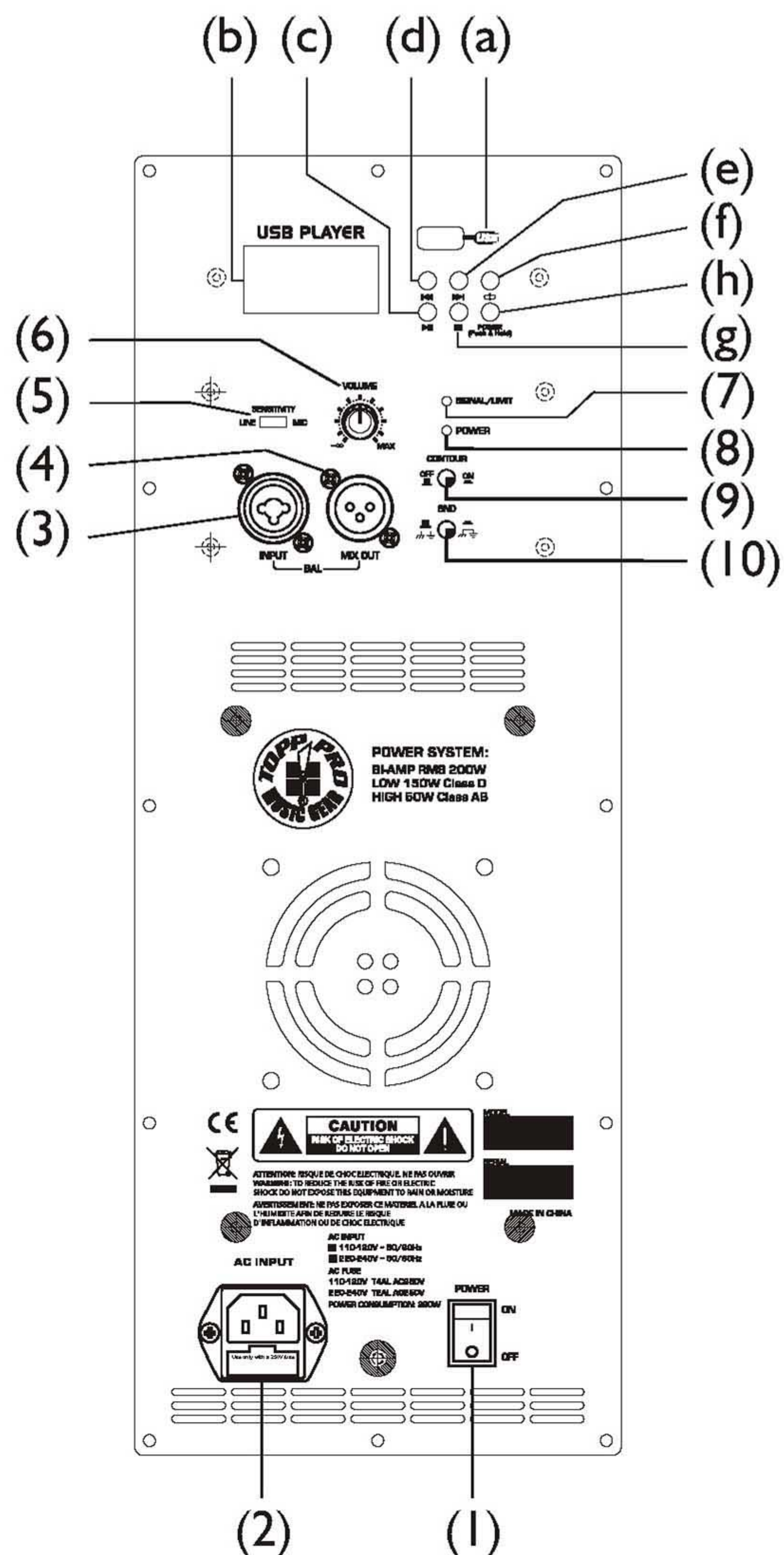
- 1 - Interruptor Principal
- 2 - Entrada de Corriente con porta fusible
- 3 - Entrada de Línea con conector tipo Combo XLR/ 1/4 (X8A & X10A Entrada de Línea solamente)
- 4 - Conector de Salida Mezclada en XLR (X 8A & X10A solamente conector para lazo tipo XLR)
- 5 - Selector de Entrada Mic/Línea
- 6 - Control de Volumen
- 7 - Indicador de "Clip"
- 8 - Indicador de Encendido
- 9 - Activación de "Contour"
- 10 - Selector de Tierra (GND) a opción de uso como monitor, para eso cuenta con un soporte el cual tiene un ángulo de 45°



Descripción del Panel Trasero

X 8A-MP / X 10A-MP / X 12A-MP / X 15A-MP

- a) Conector de Entrada USB
- b) Pantalla del Lector
- c) Tecla de reproducción y Pausa
- d) Tecla de Previo, reproduce la canción anterior. Al presionar este botón por más de 2 segundos reducirá el volumen.
- e) Tecla de Siguiente, reproduce la siguiente canción. Al presionar este botón por más de 2 segundos incrementará el volumen.
- f) Modo de Repetición
Al abrir los archivos o al reproducirlos, presione esta tecla para seleccionar entre los cuatro modos de reproducción.
Reproducción en Orden: La reproducción será una por una las canciones. No se presenta ningún icono en la pantalla
Repetir 1: Se reproducirá una sola canción. La marca que aparecerá en la pantalla es:
Repetir Todo: el lector reproducirá todas las canciones contenidas en los archivos. La marca que aparecerá es:
Reproducción Aleatoria: La reproducción de canciones será al azar. La marca que se presenta es: "REP"
- g) Parar Reproducción
- h) Tecla de Encendido del reproductor



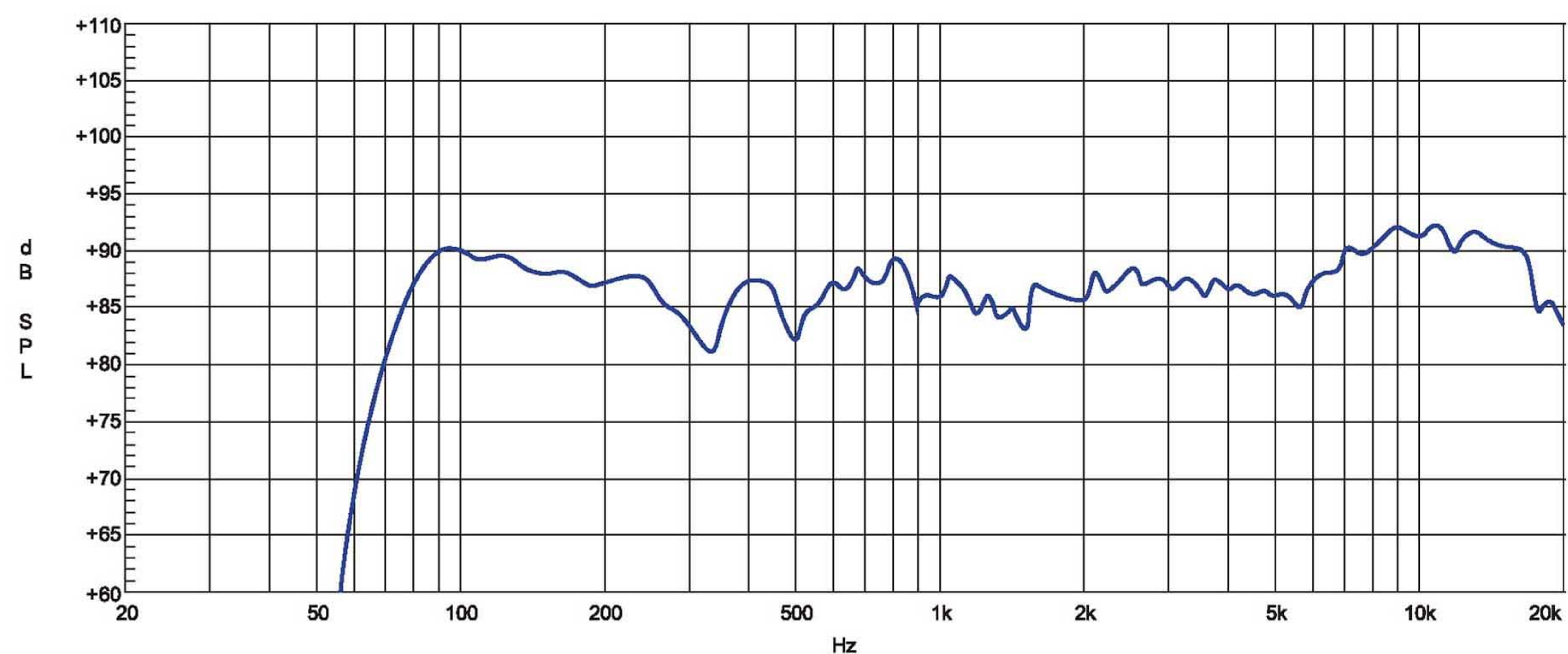
X 12A-MP / X 15A-MP



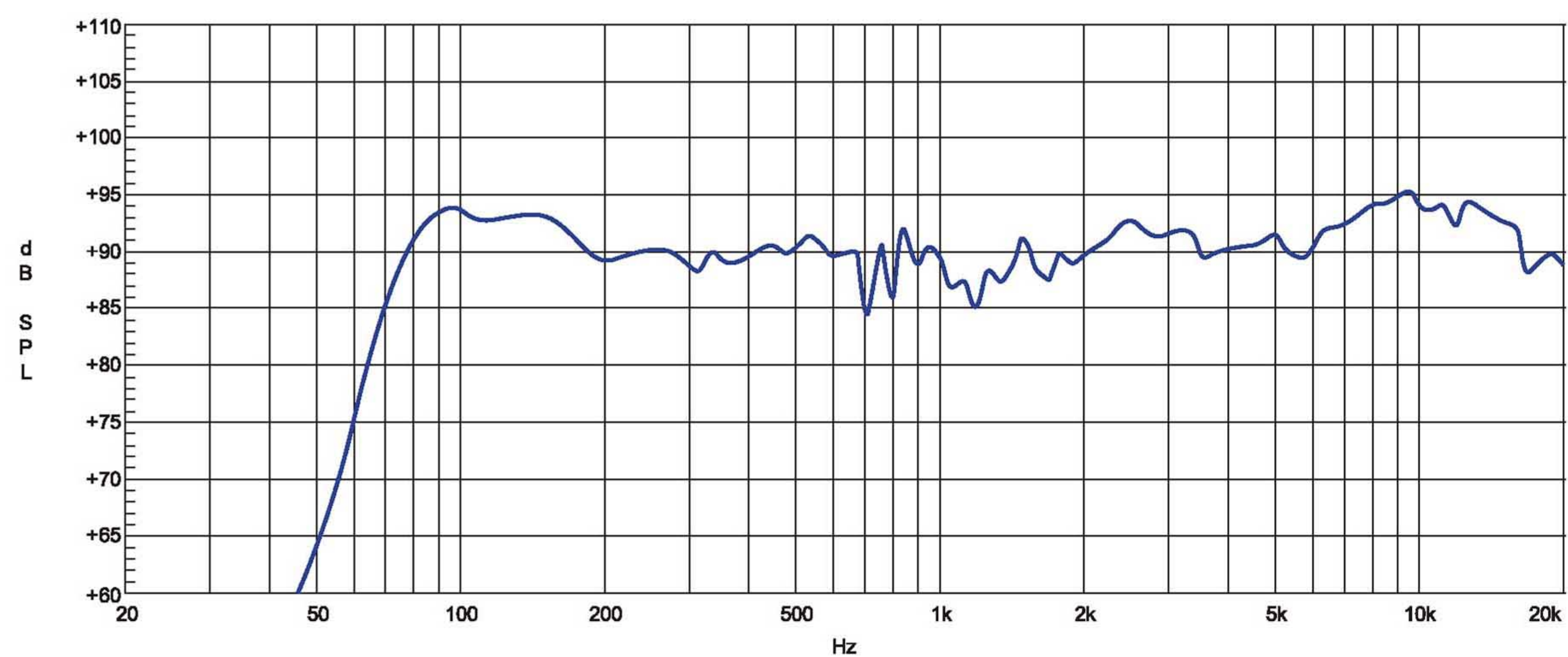
9

Respuesta de Frecuencia

X 8A



X 10A

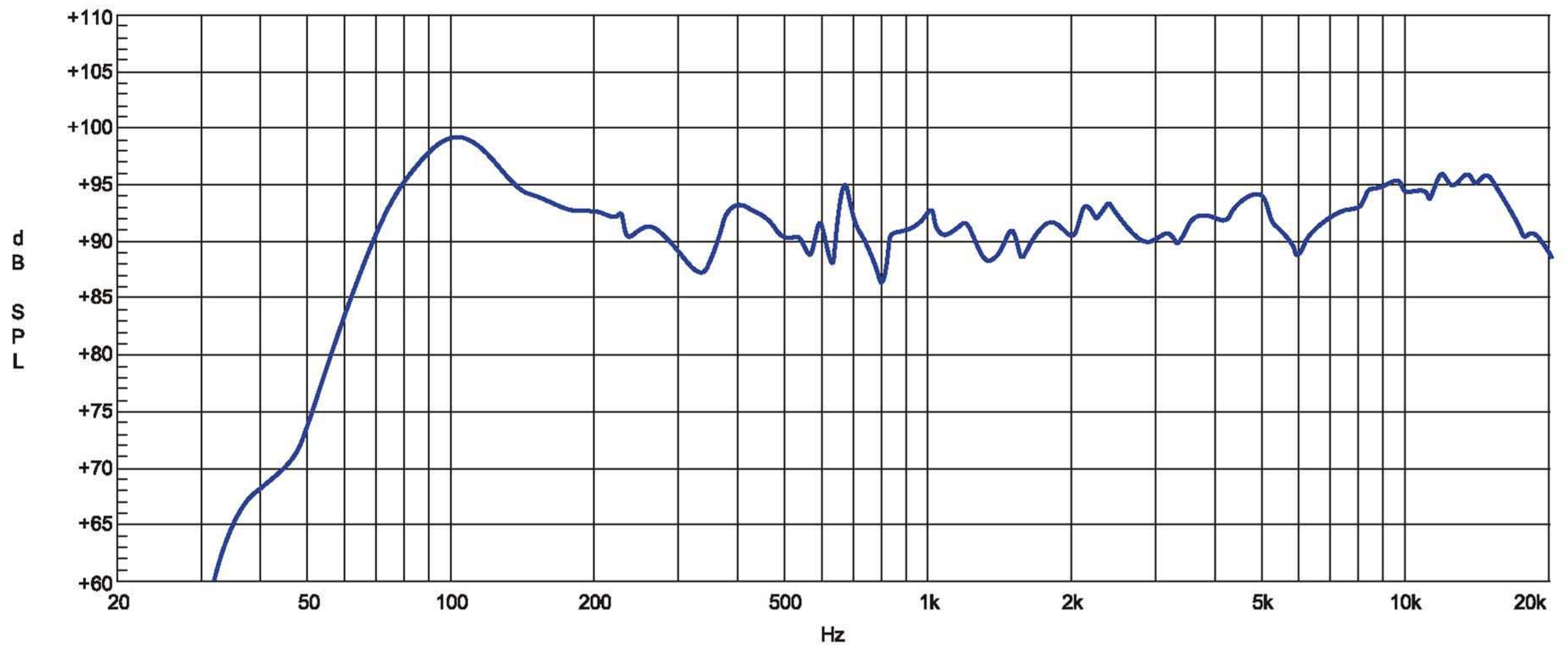




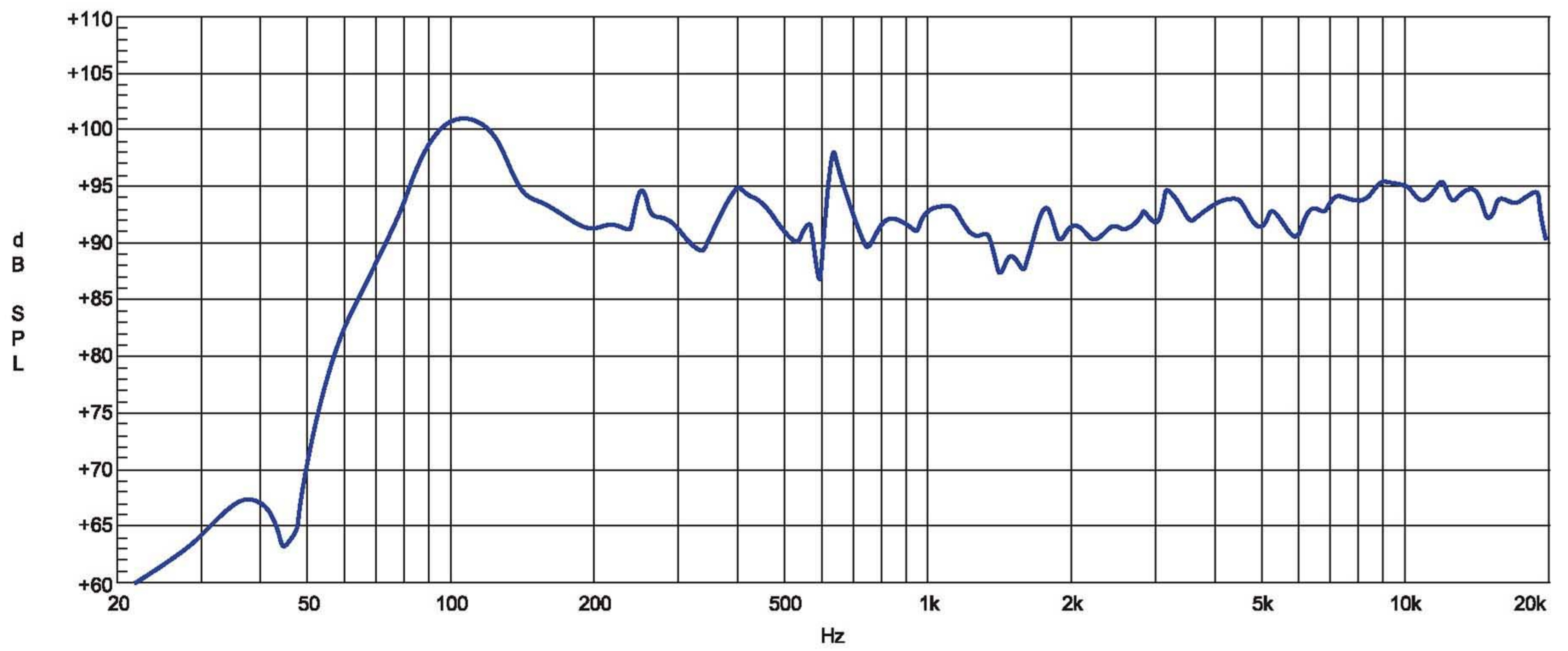
9

Respuesta de Frecuencia

X 12A / X 12A-MP

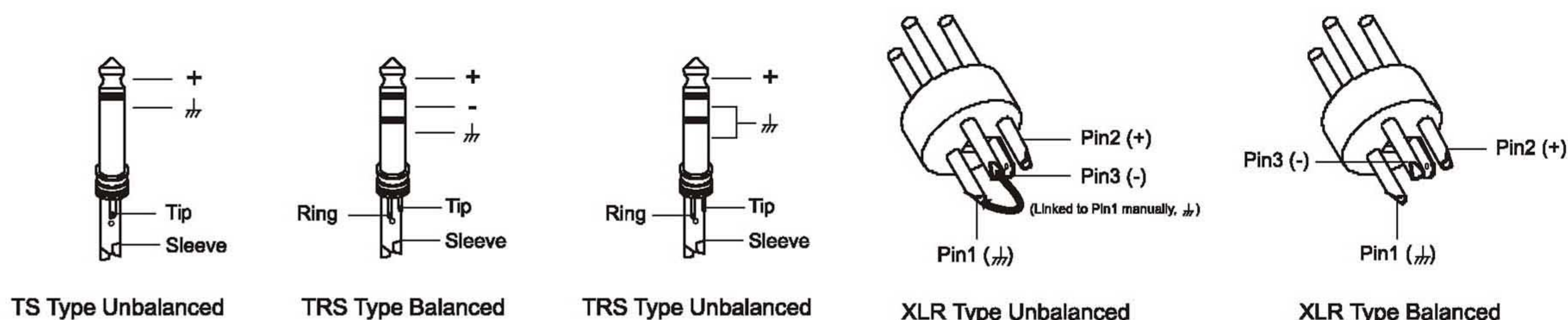


X 15A / X 15A-MP



Configuración de Alambrado

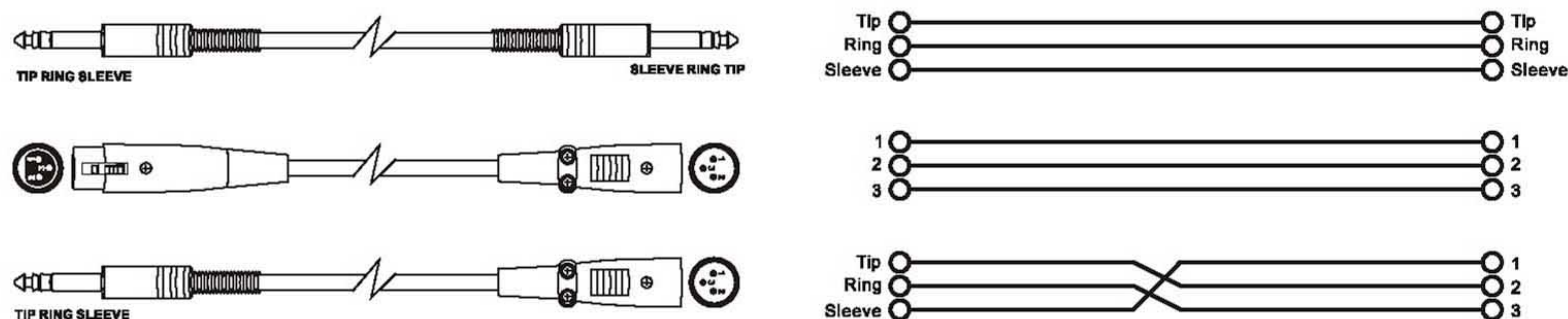
Cualquiera de los dos conectores, ya sea el TRS de 1/4" o el XLR, pueden alambrarse en modo no balanceado o balanceado, dependiendo de la necesidad de trabajo. Los siguientes son unos ejemplos de cómo se pueden alambra estos conectores:



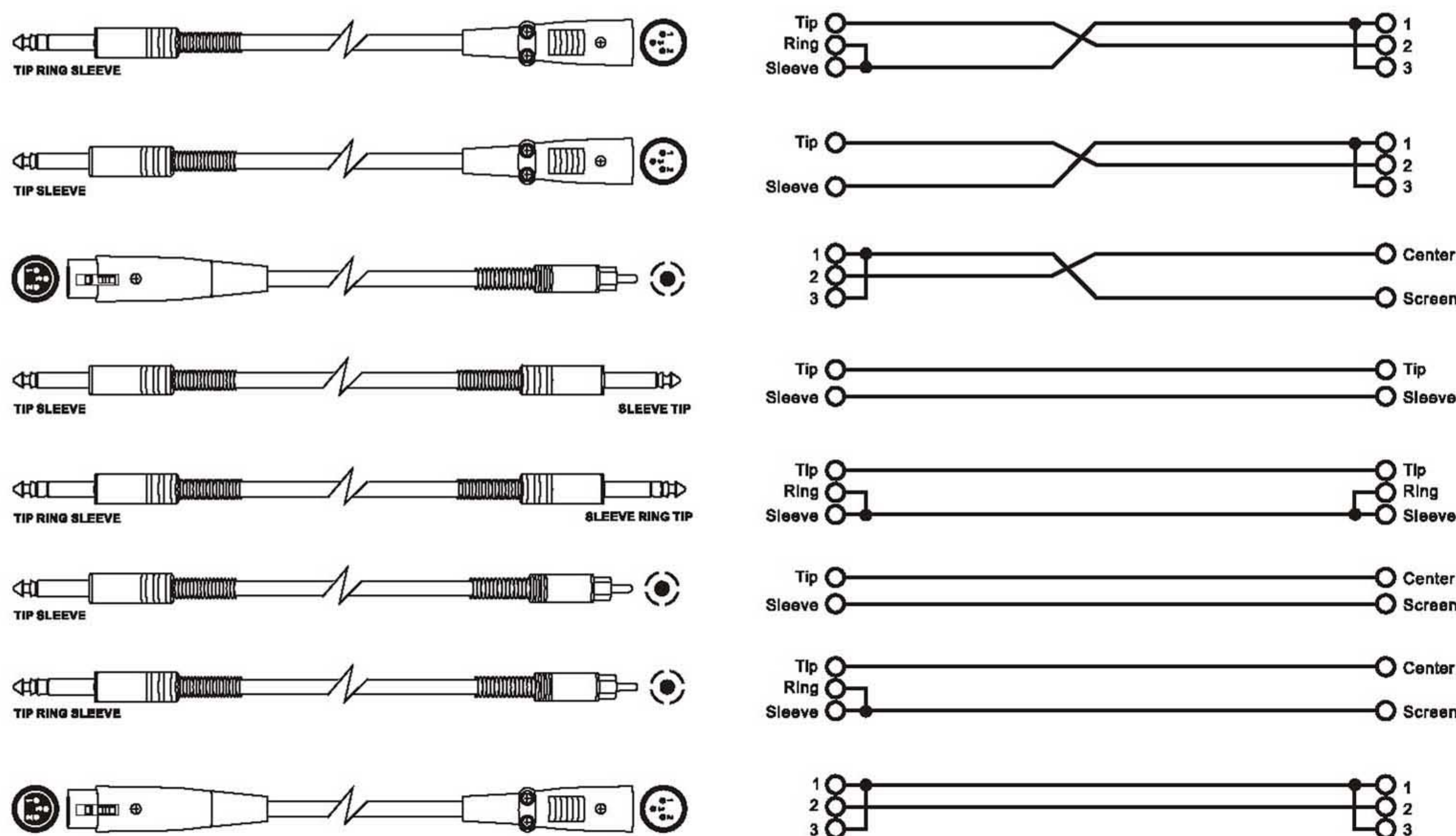
Conexión Línea de Entrada

Como se mencionó antes, esta unidad cuenta con varios tipos de conectores para diferentes aplicaciones. Los siguientes son algunos ejemplos de conexiones que se utilizan como interfase entre diferentes equipos:

• Balanceado



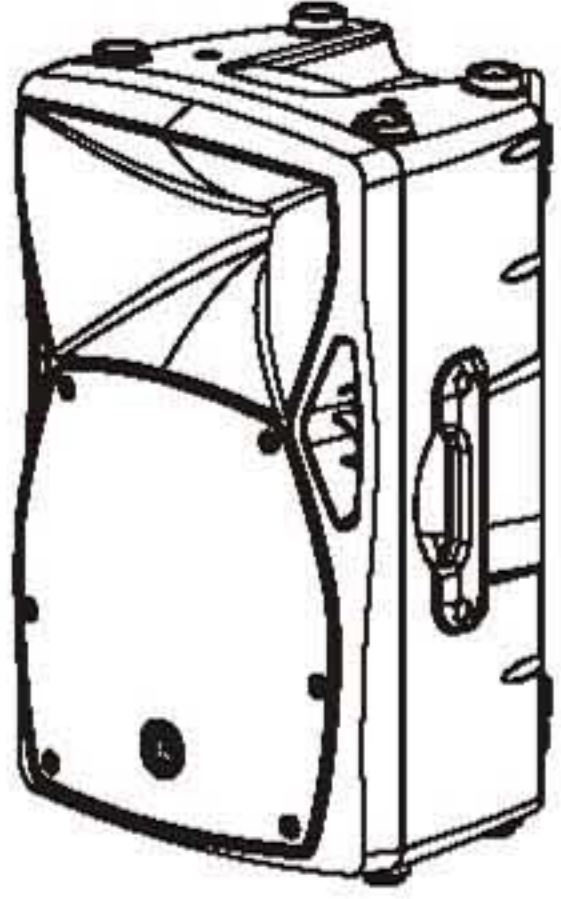
• No Balanceado



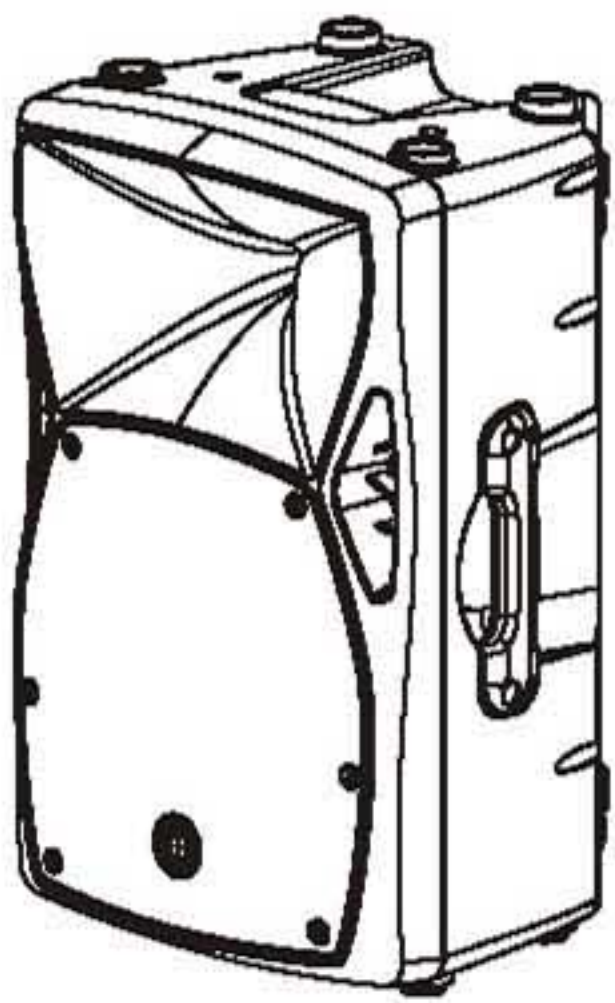


11

Especificaciones Técnicas



Gabinete Activo	X 8A
Tipo	2 Vías Bi-Amplificado
Bocina	8" con Bobina de 1.5"
Driver	Ferrita de 1" de Salida con Bobina de 1"
Cobertura (H x V)	90° x 60°
Respuesta de Frecuencia	68Hz - 20KHz (-6dB)
Crossover	2KHz
Máximo SPL	113db
Potencia de Salida	BI-AMP (Clase D 90W RMS en Bajos / 30W RMS en Altos) 480W Pixo
Conectores	Mic/Línea tipo Combo XLR / 1/4" y XLR para Lazos
Controles Externos	Control de Volumen, Indicador Verde de Encendido, Indicador Rojo para el Clip / Limitador
Protecciones Electrónicas	Térmico, sobrecarga, compresor limitador análogo
Fuente de Poder	100-240V 50Hz-60Hz Seleccionable
Gabinete	Gabinete Plástico, Trapezoidal y forma de Monitor, Parrilla Metálica, Agaradera
Montaje	Adaptador para pedestal de 36mm y puntos para colgar
Dimensiones (Al / An / Fo)	420 x 270 x 240mm
Peso Neto	5.53Kg / 12.2Lbs

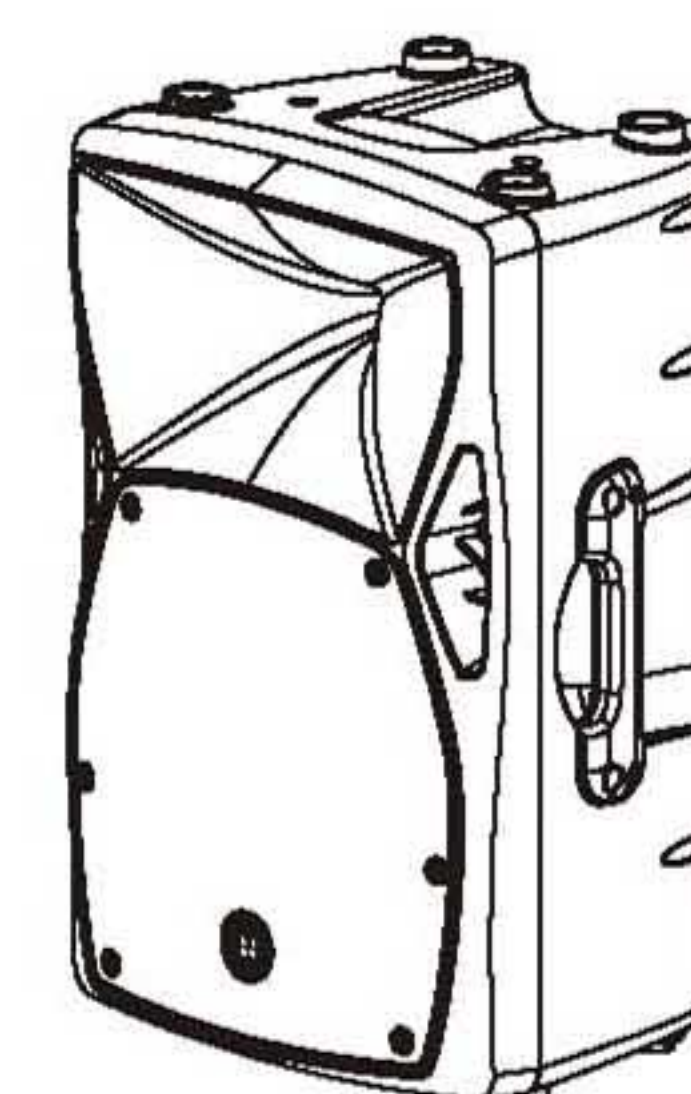


Gabinete Activo	X 10A
Tipo	2 Vías Bi-Amplificado
Bocina	10" con Bobina de 1.5"
Driver	Ferrita de 1" de Salida con Bobina de 1"
Cobertura (H x V)	90° x 60°
Respuesta de Frecuencia	65Hz - 20KHz (-6dB)
Crossover	1.9KHz
Máximo SPL	116db
Potencia de Salida	BI-AMP (Clase D 90W RMS en Bajos / 30W RMS en Altos) 480W Pixo
Conectores	Mic/Línea tipo Combo XLR / 1/4" y XLR para Lazos
Controles Externos	Control de Volumen, Indicador Verde de Encendido, Indicador Rojo para el Clip / Limitador
Protecciones Electrónicas	Térmico, sobrecarga, compresor limitador análogo
Fuente de Poder	100-240V 50Hz-60Hz Seleccionable
Gabinete	Gabinete Plástico, Trapezoidal y forma de Monitor, Parrilla Metálica, Agaradera
Montaje	Adaptador para pedestal de 36mm y puntos para colgar
Dimensiones (Al / An / Fo)	460 x 285 x 265mm
Peso Neto	6.92Kg / 15.2Lbs

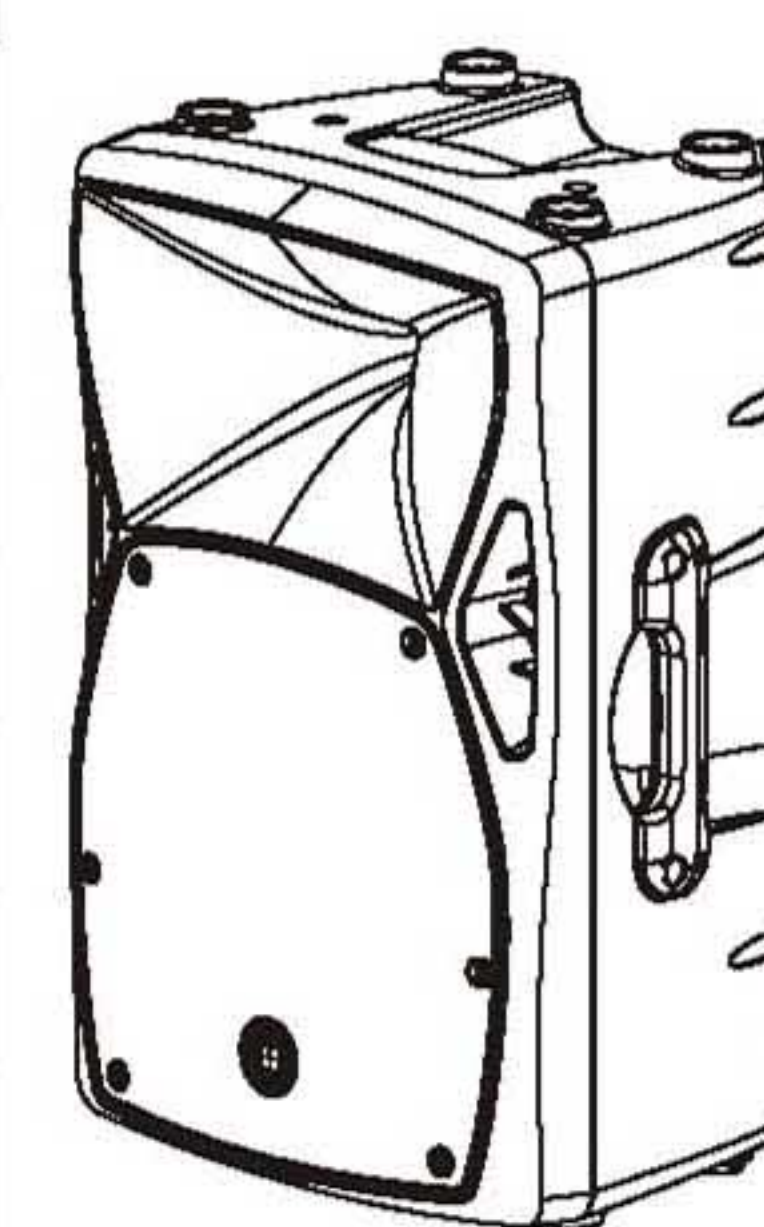
Especificaciones Técnicas

11

Gabinete Activo	X 12A / X 12A-MP
Tipo	2 Vías Bi-Amplificado
Bocina	12" con Bobina de 2"
Driver	Neodimio de 1" de Salida con Bobina de 1"
Cobertura (H x V)	90° x 60°
Respuesta de Frecuencia	60Hz - 20KHz (-6dB)
Crossover	2.1KHz
Máximo SPL	118db
Potencia de Salida	200W Contínuos BI-AMP Procesador Análogo (150W Bajos + 50W Altos) 800W Píxo
Conectores	Mic/Línea tipo Combo XLR / 1/4" y XLR para Lazos
Controles Externos	Control de Volumen, Indicador Verde de Encendido, Indicador Rojo para el Clip y Selector de Tierra, Selector de Entrada y Contour
Protecciones Electrónicas	Térmico, sobrecarga, compresor limitador análogo
Fuente de Poder	100-240V 50Hz-60Hz Seleccionable
Gabinete	Gabinete Plástico, Trapezoidal y forma de Monitor, Parrilla Metálica, Agaradera, Soportes de Hule
Montaje	Adaptador para pedestal de 36mm y puntos para colgar
Dimensiones (Al / An / Fo)	607 x 380 x 337mm
Peso Neto	13.75Kg / 30.31Lbs



Gabinete Activo	X 15A / X 15A-MP
Tipo	2 Vías Bi-Amplificado
Bocina	15" con Bobina de 2"
Driver	Neodimio de 1" de Salida con Bobina de 1"
Cobertura (H x V)	90° x 60°
Respuesta de Frecuencia	55Hz - 20KHz (-6dB)
Crossover	2.1KHz
Máximo SPL	119db
Potencia de Salida	200W Contínuos BI-AMP Procesador Análogo (150W Bajos + 50W Altos) 800W Píxo
Conectores	Mic/Línea tipo Combo XLR / 1/4" y XLR para Lazos
Controles Externos	Control de Volumen, Indicador Verde de Encendido, Indicador Rojo para el Clip y Selector de Tierra, Selector de Entrada y Contour
Protecciones Electrónicas	Térmico, sobrecarga, compresor limitador análogo
Fuente de Poder	100-240V 50Hz-60Hz Seleccionable
Gabinete	Gabinete Plástico, Trapezoidal y forma de Monitor, Parrilla Metálica, Agaradera, Soportes de Hule
Montaje	Adaptador para pedestal de 36mm y puntos para colgar
Dimensiones (Al / An / Fo)	664 x 396 x 402mm
Peso Neto	17.7Kg / 39.0Lbs





12

Garantía

Topp Pro garantiza el normal funcionamiento del producto contra cualquier defecto de fabricación y/o vicio de material, por el término de (12) meses, contados a partir de la fecha de compra por parte del usuario, comprometiéndose a reparar o cambiar, a su elección, sin cargo alguno, cualquier pieza o componente que fallare en condiciones normales de uso dentro del período mencionado.

Para que ésta garantía sea válida, el comprador original deberá presentar este certificado debidamente sellado y firmado por la casa vendedora, acompañado por la correspondiente factura de compra donde constará el modelo y número de serie del equipo adquirido.

La garantía no cubre:

- Daños ocasionados por el uso indebido del producto, reparación y/o modificación efectuados por personas no autorizadas por **Topp Pro**.
- Daños ocasionados por la conexión del equipo a otros equipos distintos de los especificados en el manual de uso, o bien por mala conexión a estos últimos.
- Daños ocasionados por tormentas eléctricas, golpes y/o transporte incorrecto.
- Daños ocasionados por excesos o caídas de tensión en la red o por conexión a redes con una tensión distinta a la requerida por la unidad.
- Daños ocasionados por la presencia de arena, ácido de pilas, agua, o cualquier elemento extraño en el interior del equipo.
- Deterioros producidos por el transcurso del tiempo, uso y/o desgaste normal de la unidad.
- Alteración o ausencia del número de serie de fábrica del equipo.

Las reparaciones solamente podrán ser llevadas a cabo el servicio técnico autorizado por **Topp Pro**, que informará acerca del plazo y demás detalles de las reparaciones a efectuarse conforme a esta garantía.

Topp Pro reparará esta unidad en un plazo no mayor a 30 días contados a partir de la fecha de entrada de la unidad al Servicio Técnico. En aquellos casos en que debido a la particularidad del repuesto, fuera necesaria su importación, el tiempo de reparación y la viabilidad de la misma estarán sujetos a las normas vigentes para la importación de partes, en cuyo caso se informará al usuario acerca del plazo y posibilidad de reparación.

A efectos de su correcto funcionamiento, y de la validez de ésta garantía, este producto deberá ser instalado y utilizado de acuerdo a las instrucciones que se encuentran detalladas en el manual adjunto o en el envase del producto.

Esta unidad podrá presentarse para su reparación, junto a la factura de compra (o cualquier otro comprobante donde conste la fecha de compra), a su distribuidor autorizado **Topp Pro** o a un centro de servicio técnico autorizado por **Topp Pro**.

Exclusión de daños:

LA RESPONSABILIDAD DE TOPP PRO POR CUALQUIER PRODUCTO DEFECTUOSO SE LIMITA A LA REPARACIÓN O AL REEMPLAZO DEL MISMO, A OPCIÓN DE TOPP PRO. SI ELEGIMOS SUBSTITUIR EL PRODUCTO, EL REEMPLAZO PUEDE SER UNA UNIDAD REACONDICIONADA. TOPP PRO NO SERÁ RESPONSABLE POR LOS DAÑOS BASADOS EN LA INCONVENIENCIA, PÉRDIDA DE USO, BENEFICIOS PERDIDOS, AHORROS PERDIDOS, POR EL DAÑO A OTROS EQUIPO O A OTROS ARTÍCULOS EN EL SITIO DE USO, O POR NINGUN OTRO DAÑO SI ES FORTUITO, CONSECUENTE O DE OTRO TIPO, AUNQUE TOPP PRO HAYA SIDO ADVERTIDO DE LA POSIBILIDAD DE TALES DAÑOS.

Algunos países o estados no permiten la exclusión o la limitación a los daños fortuitos o consecuentes, así que la limitación antedicha puede no aplicarse a usted.

Esta garantía le da derechos legales específicos, usted puede también tener otros derechos que varían de estado a estado o de país a país.



TOPP PRO MUSIC GEAR

www.topppro.com



S E R I E S