

Compact Line Array System



# FLX3 Array System



8 x FLX3  
Passive Satellites  
Dual 3" Woofers,  
3 x 0.5" Tweeter

**4000W** PEAK POWER  
CE APPROVED



8 x FLX3  
Passive Satellites  
Dual 3" Woofers,  
3 x 0.5" Tweeter



TD500.4DSP V2  
Amplifier with DSP



2 x SOHO S12P  
Subwoofer 12" Passive



**MAXHEB**  
POWER MODULE *Optimum Headroom & SPL*

**Hi-Def**  
COMPONENTS

**Rigging**  
READY!



2 x SOHO S12P  
Subwoofer 12" Passive



WWW.SISTEMAMT.IT



supporto@musictechnology.it



+39 071 7926753



# FLX3 Technical Specifications

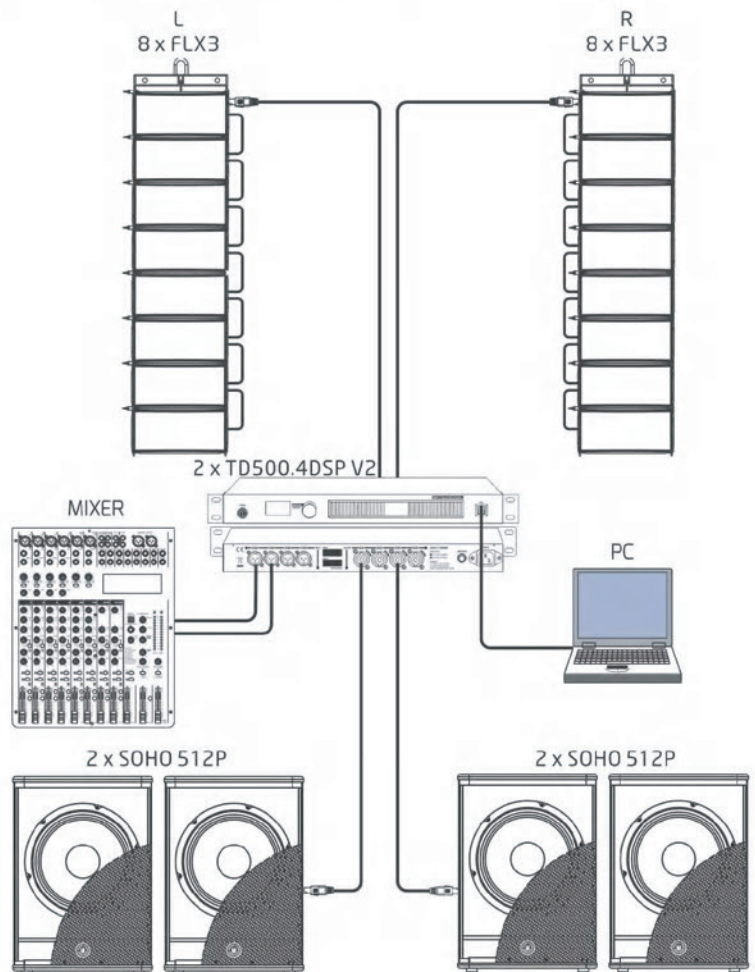
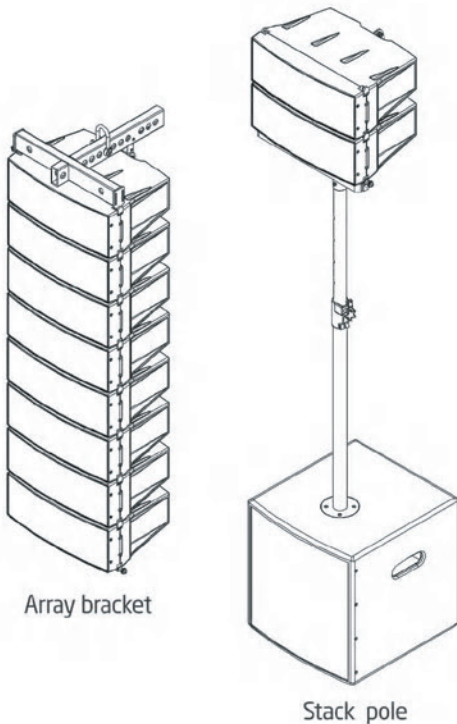


## FLX3

System Type	3" 2-way Passive System
Output Power	40W CONTINUOUS / 80W PROGRAM
Sensitivity (1W/1M)	90dB
Maximum SPL @ 1m	106dB Max. (calculated)
Frequency Response	100Hz-20KHz (-10dB)
Impedance	8 Ohm
Transducer Low	2 x 3" Woofer, 0.75" Voice Coil
Transducer High	3 x Ø13mm V.C. Neodymium Tweeter
Crossover Frequency	2.5KHz
Dispersion (-6dB)	100° Horizontal, 30° Vertical (one module)
Attachment	Adjustable Rigging System, Vertical Splay
Points	Adjustable in 1.5° Increments from 0°- 12°
Connectors	Parallel or Series Ø6.3mm Socket / Selection Switch
Enclosure	Polypropylene Enclosure, steel Metal Grille
Construction	with foam, Steel Stirrup Material, 3 Flying Points
Dimensions (HxWxD)	124 x 265 x 195 mm / 4.88" x 10.43" x 7.68"
Net Weight	3.2 Kg / 7.06 lbs

## SOHO S12P

System Type	12" Passive Subwoofer Speaker
Output Power	300W PROGRAM / 125W PEAK
Sensitivity	122dB Continuous / 125dB Peak
Frequency Response	45Hz-2.8KHz (-10dB)
Impedance	4 Ohm
Transducer	12" Ferrite Woofer,
Low	2.55" Voice Coil
Connectors	4 Pin Terminal Block and 2 x NL-4 Speakon Parallel Socket
Enclosure	Plywood Cabinet, Resistant Black
Construction	Paint, Metal Grille
Mounting	One metal standard Pole-mount
Dimensions (HxWxD)	500 x 350 x 542 mm / 19.69" x 13.78" x 21.34"
Net Weight	20.10 Kg / 44.31 lbs



[www.toppopro.com](http://www.toppopro.com)



WWW.SISTEMAMT.IT



supporto@musictechnology.it



+39 071 7926753