



User's Manual

PASSIVE SPEAKER SYSTEM X8 / X10 / X12 / X15

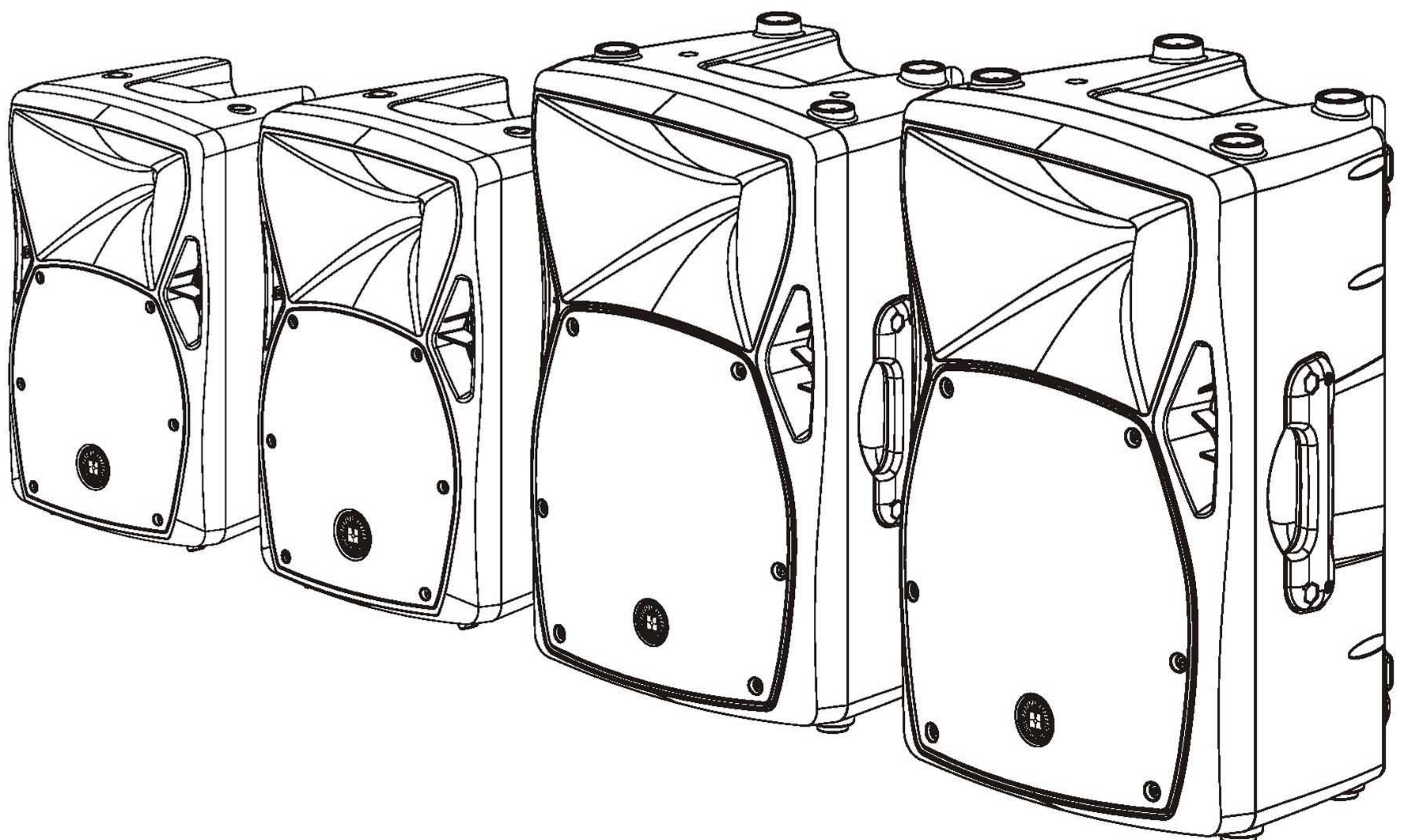
8"

10"

12"

15"

Speaker Cabinet





Important Safety Instructions



TO REDUCE THE RISK OF ELECTRIC SHOCK PLEASE DO NOT REMOVE THE COVER OR THE BACK PANEL OF THIS EQUIPMENT. THERE ARE NO PARTS NEEDED BY USER INSIDE THE EQUIPMENT. FOR SERVICE, PLEASE CONTACT QUALIFIED SERVICE CENTERS.



This symbol, wherever used, alerts you to the presence of un-insulated and dangerous voltages in the product enclosure. These are voltages that may be sufficient to constitute the risk of electric shock or death.



This symbol, wherever used, alerts you to important operating and maintenance instructions. Please read.



Protective Ground Terminal



AC mains (Alternating Current)



Hazardous Live Terminal

ON:


Denotes the product is turned on.

OFF:

Denotes the product is turned off.

CAUTION

Describes precautions that should be observed to prevent damage to the product.

1. Read this Manual carefully before operation.
2. Keep this Manual in a safe place.
3. Be aware of all warnings reported with this symbol. 
4. Keep this Equipment away from water and moisture.
5. Clean it only with dry cloth. Do not use solvent or other chemicals.
6. Do not damp or cover any cooling opening. Install the equipment only in accordance with the Manufacturer's instructions.
7. Power Cords are designed for your safety. Do not remove Ground connections! If the plug does not fit your AC outlet, seek advice from a qualified electrician. Protect the power cord and plug from any physical stress to avoid risk of electric shock. Do not place heavy objects on the power. This could cause electric shock or fire.
8. Unplug this equipment when unused for long periods of time or during a storm.
9. Refer all service to qualified service personnel only. Do not perform any servicing other than those instructions contained within the User's Manual.
10. To prevent fire and damage to the product, use only the recommended fuse type as indicated in this manual. Do not short-circuit the fuse holder.

WARNING

To reduce the risk of electric shock and fire, do not expose this equipment to moisture or rain.



Dispose of this product should not be placed in municipal waste and should be separate collection.

Before replacing the fuse, make sure that the product is OFF and disconnected from the AC outlet.

11. Move this Equipment only with a cart, stand, tripod, or bracket, specified by the manufacturer, or sold with the Equipment. When a cart is used, use caution when moving the cart/equipment combination to avoid possible injury from tip-over.



12. Permanent hearing loss may be caused by exposure to extremely high noise levels. The US. Government's Occupational Safety and Health Administration (OSHA) has specified the permissible exposure to noise level. These are shown in the following chart:

Hours x day	SPL	Example
8	90	Small gig
6	92	Train
4	95	Subway train
3	97	High level desktop monitors
2	100	Classic music concert
1.5	102	
1	105	
0.5	110	
0.25 or less	115	Rock Concert

According to OSHA, an exposure to high SPL in excess of these limits may result in the loss of hearing. To avoid the potential damage of hearing, it is recommended that Personnel exposed to equipment capable of generating high SPL use hearing protection while such equipment is under operation.

The apparatus shall be connected to a mains socket outlet with a protective earthing connection.

The mains plug or an appliance coupler is used as the disconnect device, the disconnect device shall remain readily operable.



INDEX

1. INTRODUCTION	4
2. INSTALLATION TIPS	4
3. USEFUL DATA	4
4. HOOKUP DIAGRAMS	5
5. RIGGING	6
6. CONNECTING PLATE	7
7. FREQUENCY RESPONSE DIAGRAM	8
8. WIRE CONNECTIONS	10
9. TECHNICAL SPECIFICATIONS	11
10. WARRANTY	13

Don't forget to visit our website at www.toppopro.com
for more information about this and other Topp Pro products.



1

Introduction

Thank you for choosing **TOPP PRO**. The new **TOPP PRO MUSIC GEAR X Series** cabinets have been designed to provide a cost effective high grade solution while maintaining high quality cabinet construction and optimum components.

The **X Series**, can be used for all types of applications including, but not limited to, churches, conference centers and discos. The woofer and neodymium driver combination provides excellent performance rivaling those cabinets costing much more.

Our Professional Audio Products are designed and tested by a highly qualified engineering team with more than 20 years of experience. Great care is placed in delivering products with excellent performance, specifications and dependable reliability. Also great emphasis is placed in creating and bringing to market products that can fill multiple applications and also offer customers exceptional value.

2

Installation Tips

- Speakers should be placed in a position that allows for unobstructed sound projection. In many instances it is beneficial for speakers to elevate on tripod stands to achieve maximum dispersion and reach. Consider TOPP PRO speaker stand or equivalent to raise speakers.
- Using quality cables ensure best possible sound. Consider using TOPPPRO 16 or 14 gauge cables or equivalent.
- For best results match the speakers to a good amplifier that matches the wattage and impedance of your speakers. Proper amplification power results in good quality audio and longer component life. Check out.
- Avoid pointing microphone directly at an amplified speaker otherwise could cause feedback possible damaging speaker components and your hearing.

Enjoy the sound!

3

Useful data

Please write your serial number here for future reference.

Serial Number:

Date of purchase:

Purchased at:

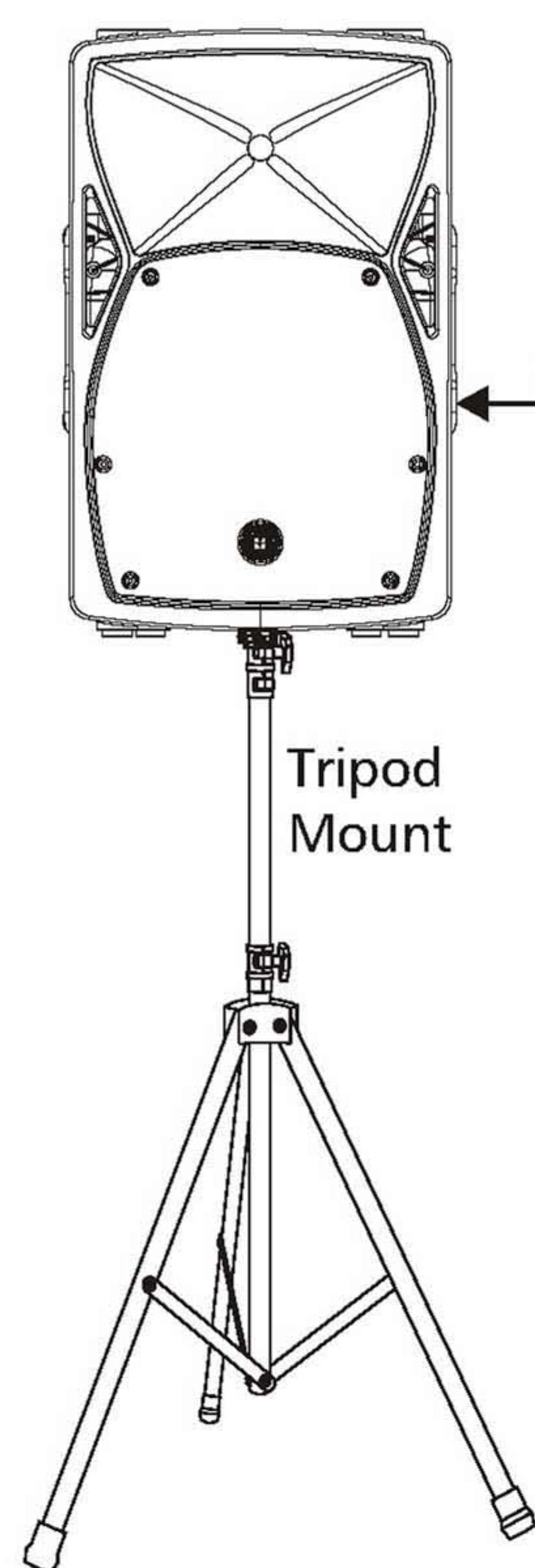
Hookup Diagrams

Make your initial connections with all the equipment powered off, and ensure that all the main volume controls are turned completely down.

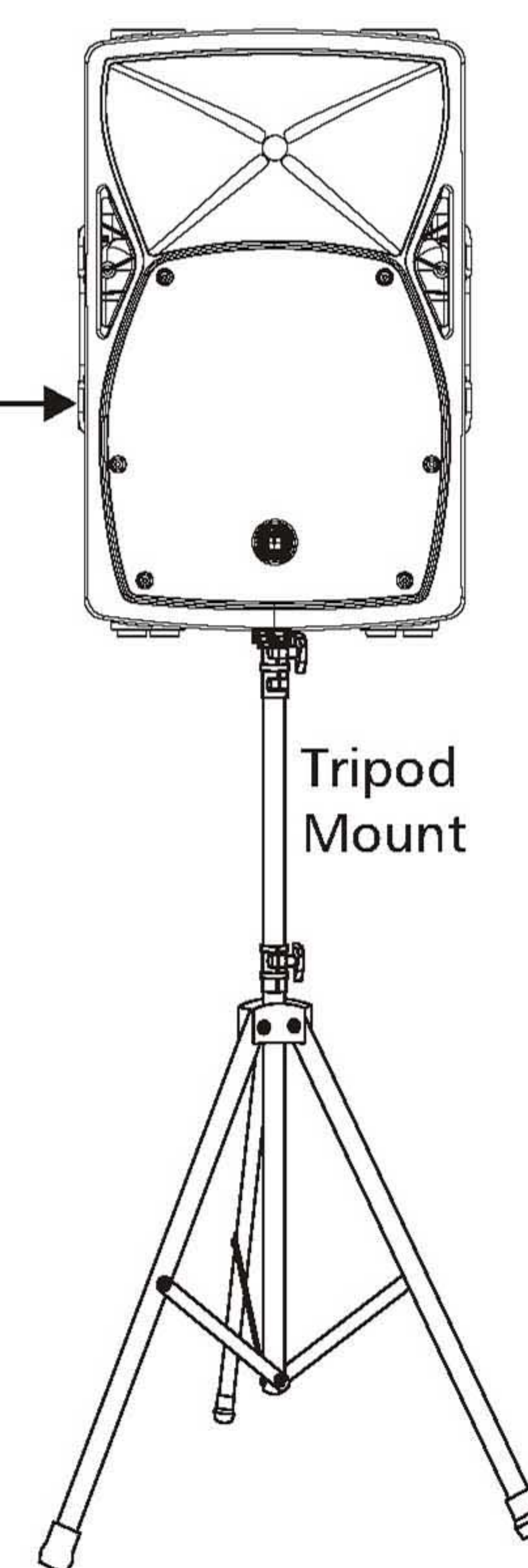
For Passive Full-range Speaker Cabinet

- 1) Connect one side of the speaker cable to the Output CH A / CH B to Binding Post of your stereo power amplifier and the other side to the Input socket of your speaker cabinet.
- 2) Complete other connections as illustrated.
- 3) Turn on your mixer first, then the stereo power amplifier.
- 4) Turn up the volume controls of your amplifier to about 70%.
- 5) Use PFL function to get the proper input level for the mixer, and adjust the Main Mix Level control to manipulate the output level.
- 6) After using, turn off your stereo power amplifier first, then the mixer.

X8 / X10 / X12 / X15



X8 / X10 / X12 / X15



SPEAKER CABLE

SPEAKER CABLE



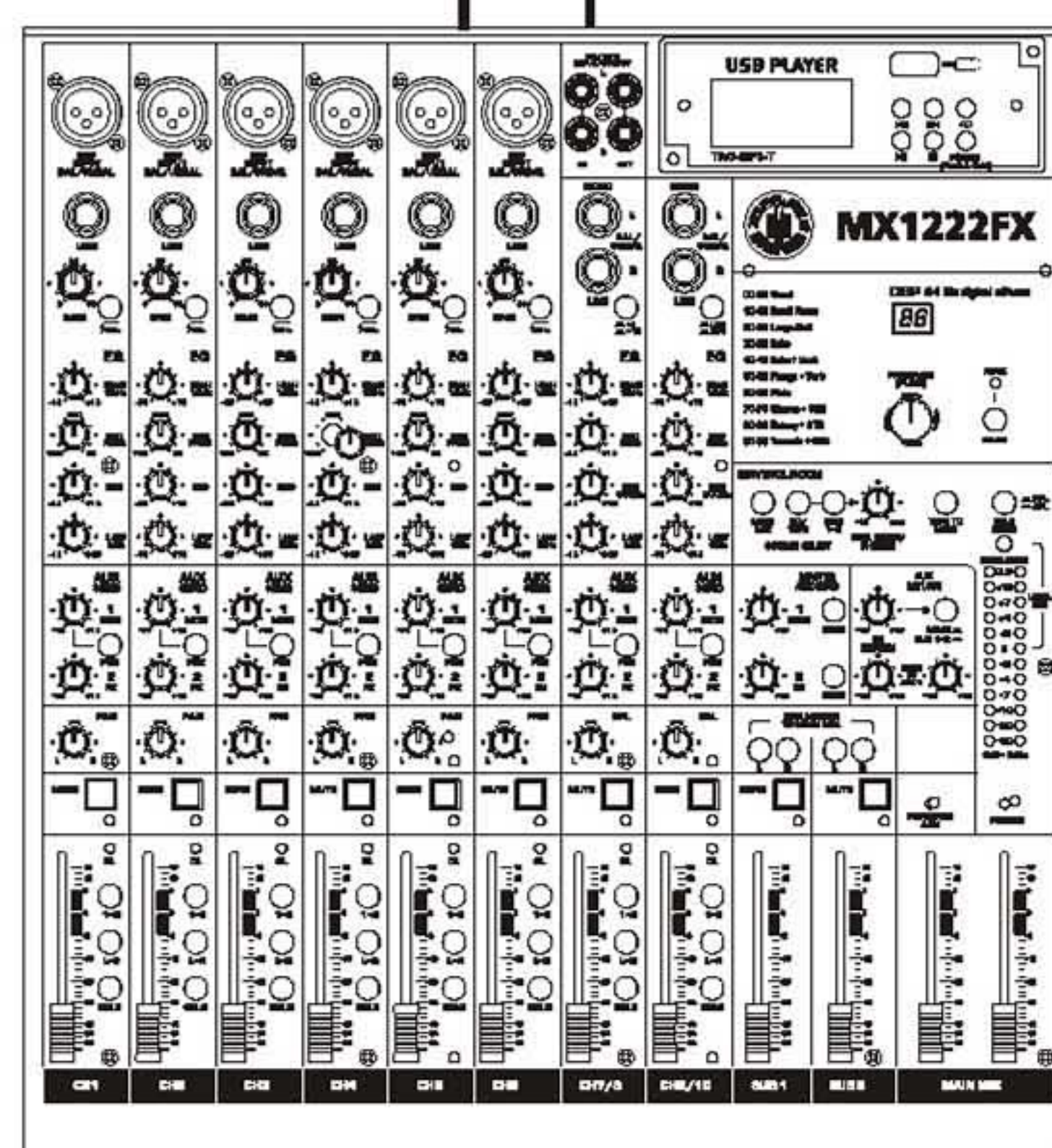
AMPLIFIER

LINE IN LEFT/MONO

LINE IN RIGHT

MAIN OUT LEFT

MAIN OUT RIGHT



Mixer

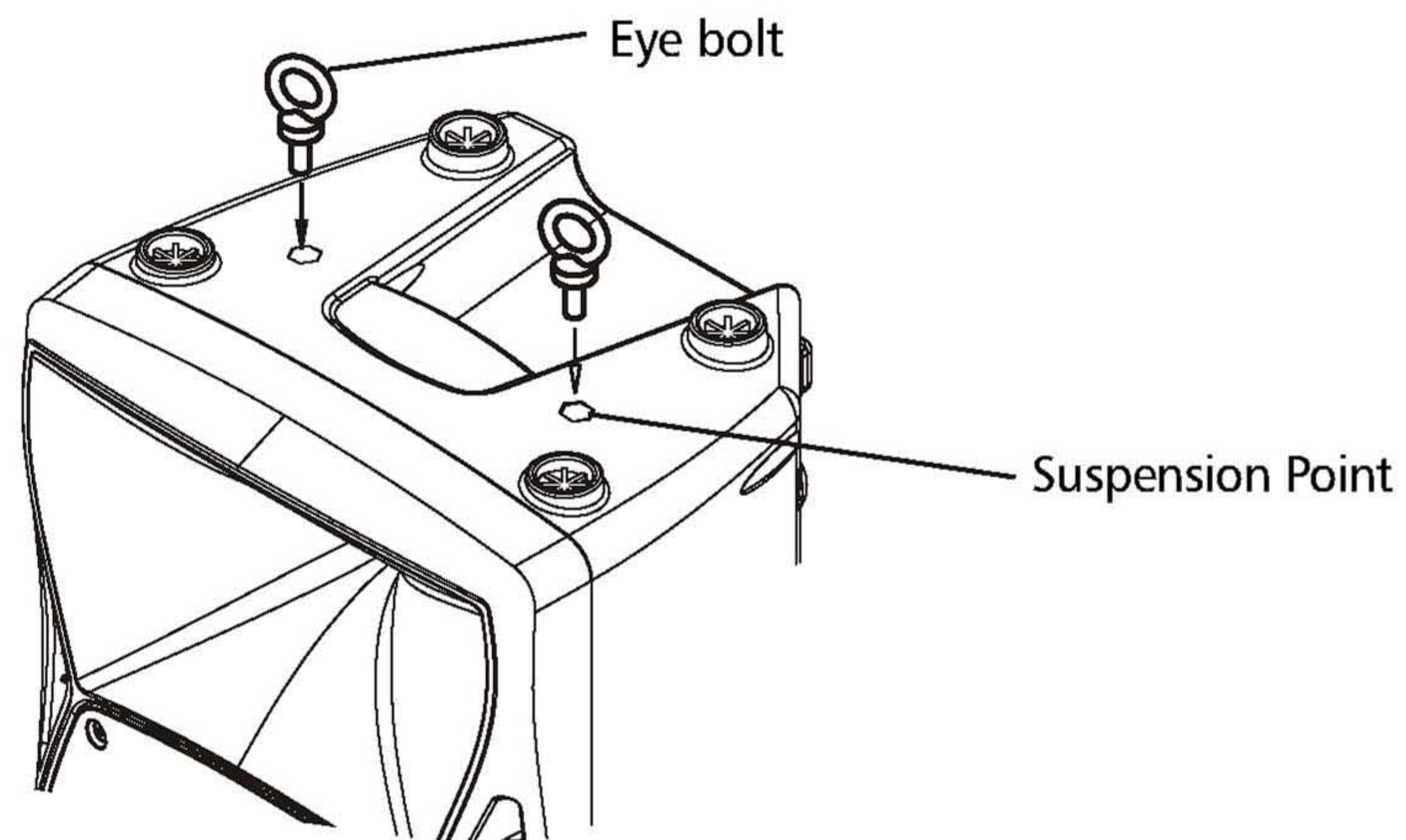


5

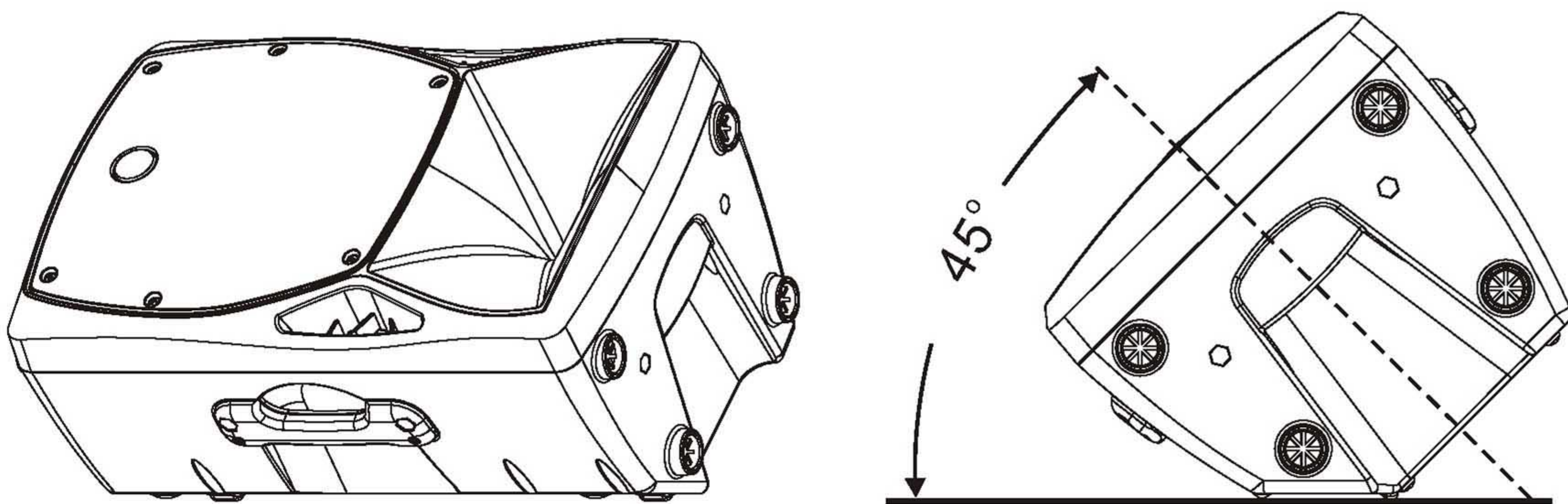
Rigging

The X series speaker cabinet also provides the suspension points for installation.
(M10x1.5PH LENGTH: 30mm).

For further details, please refer to the right illustration(OPTIONAL FUNCTIONAL)



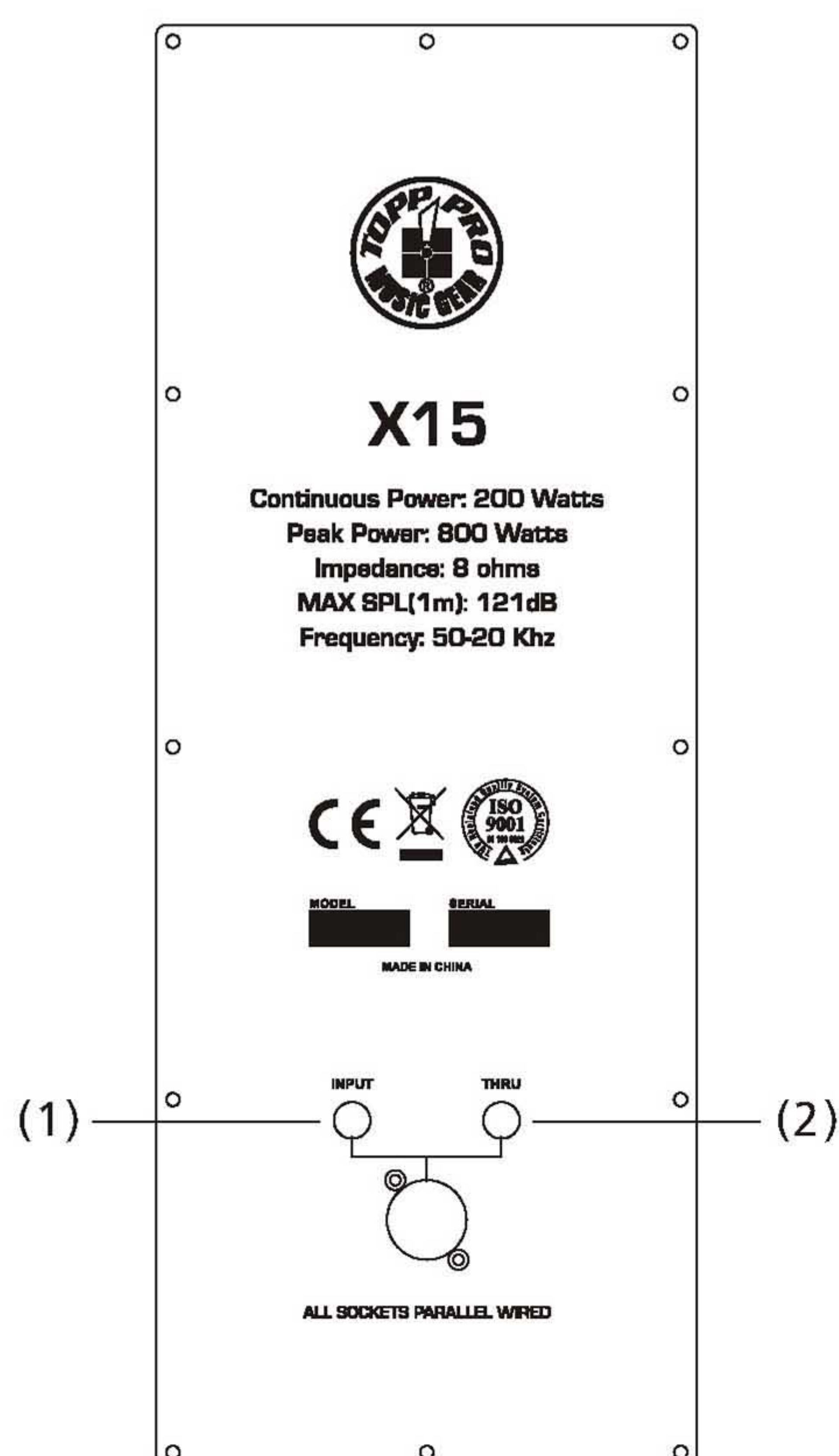
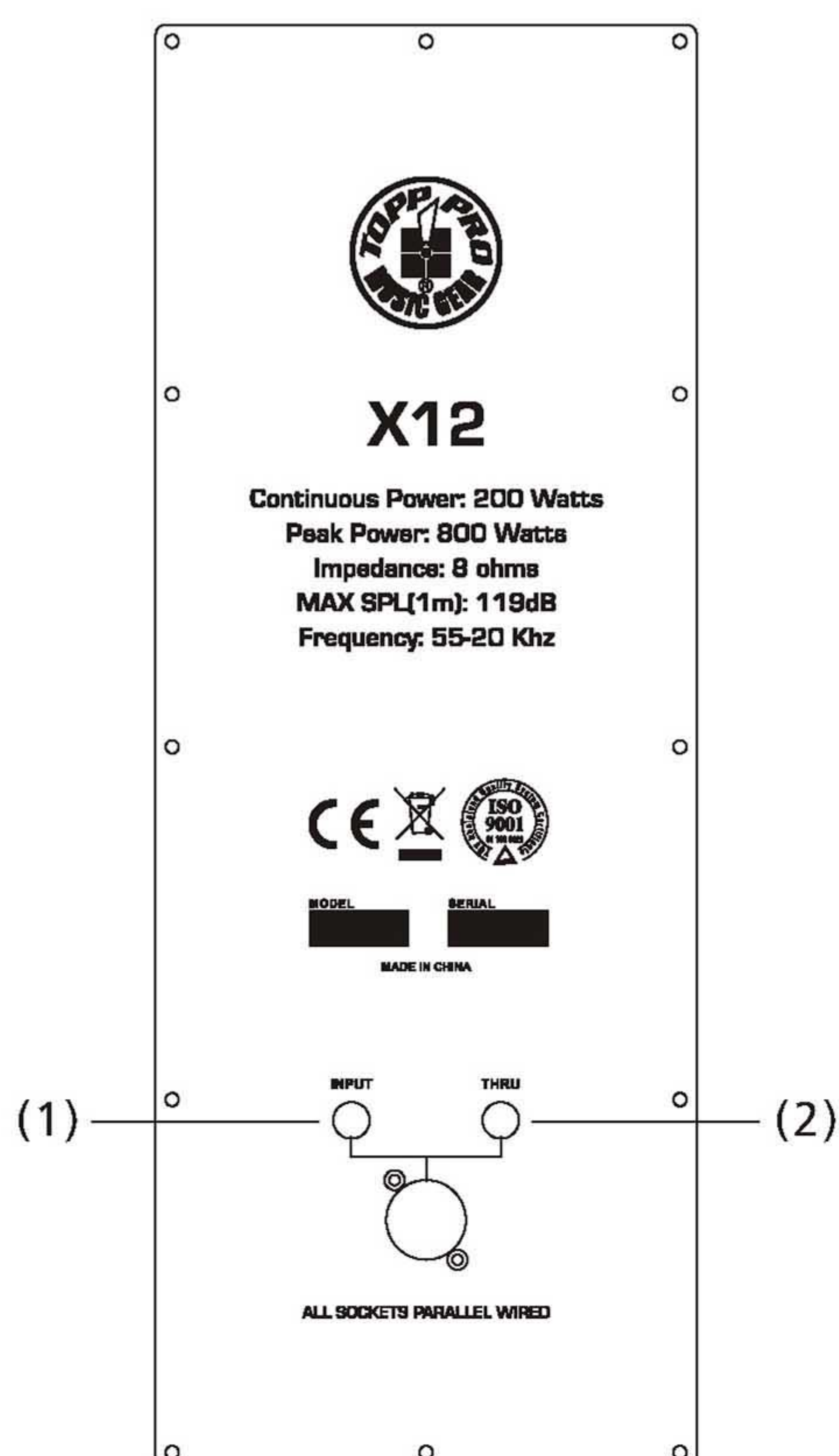
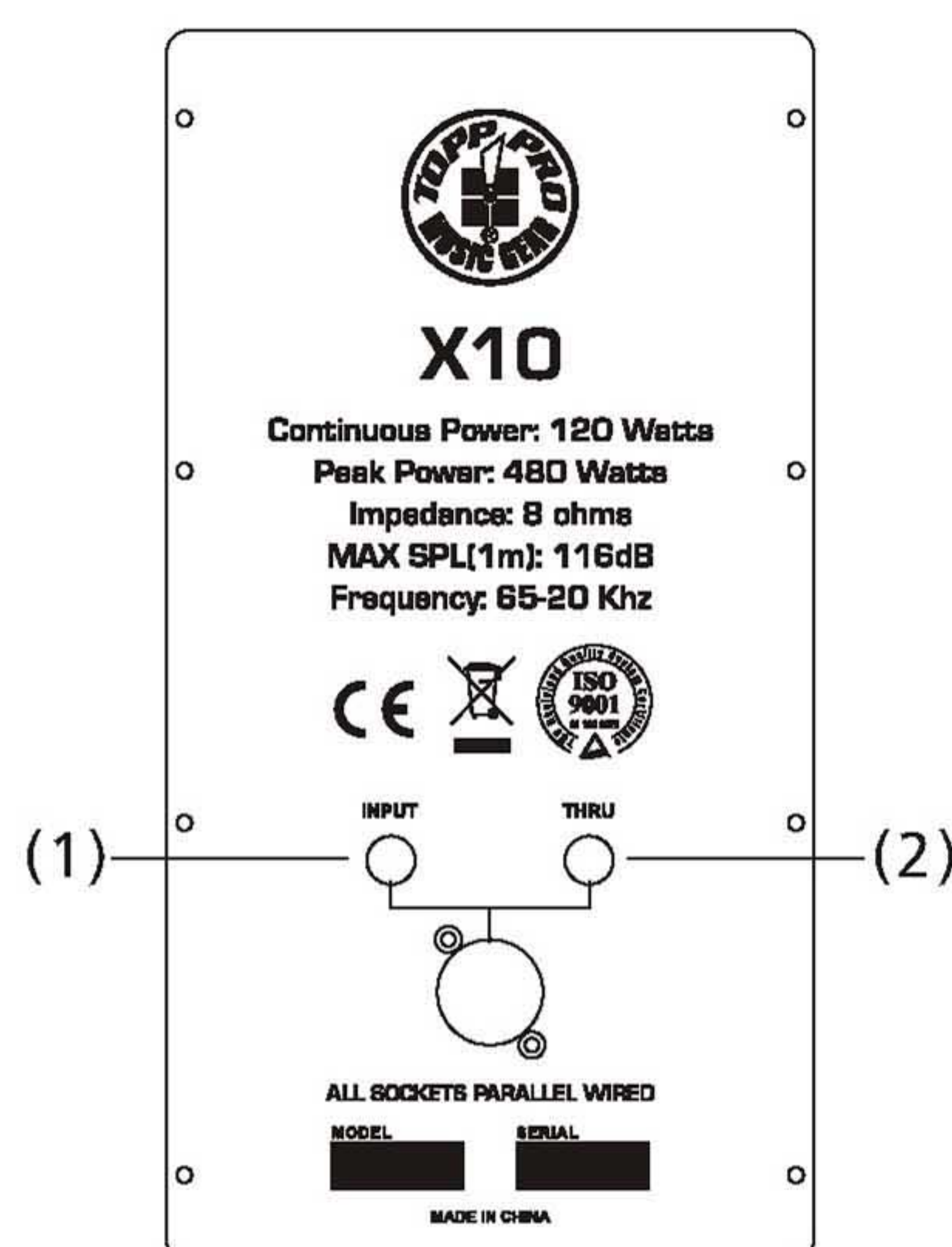
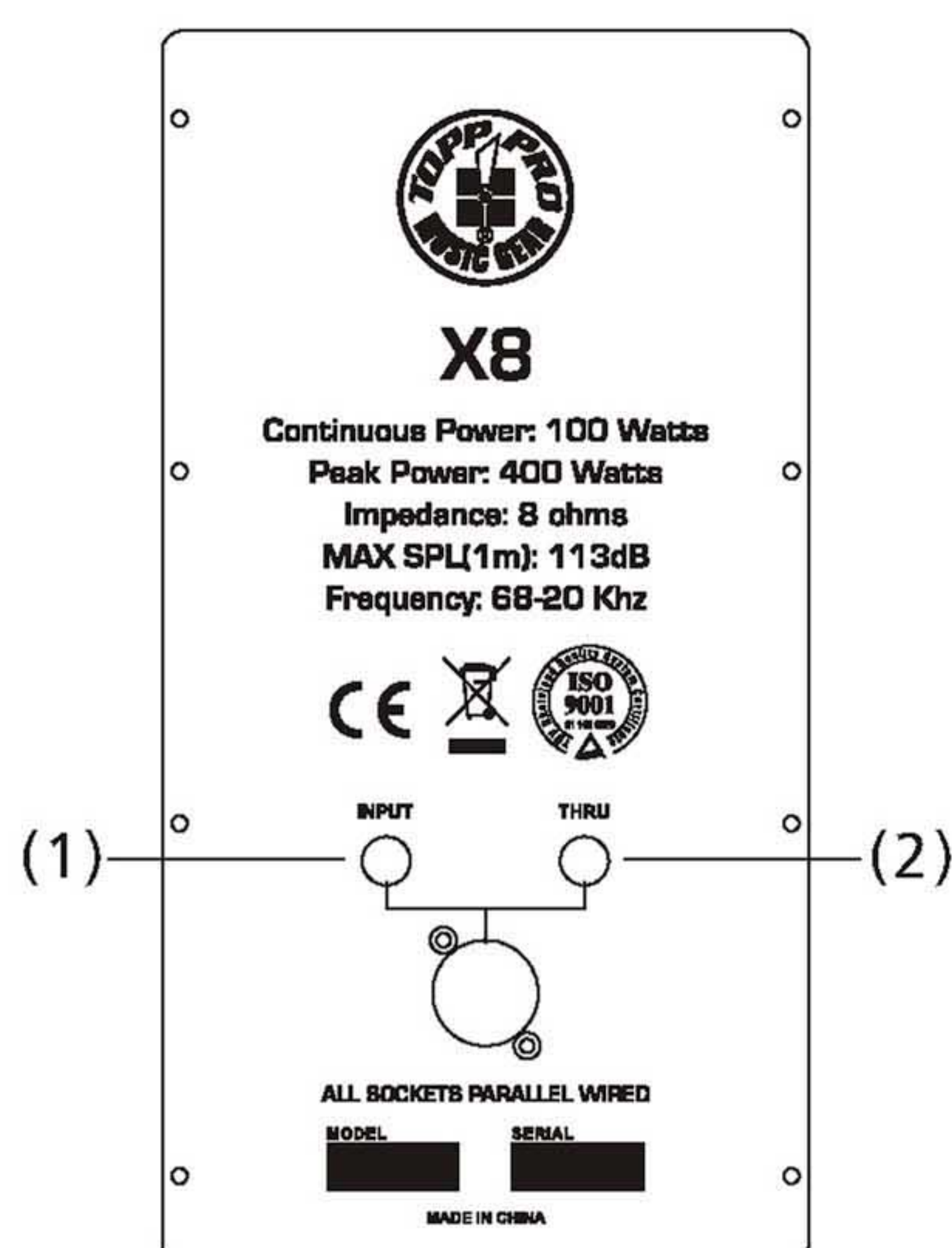
The floor use is as a function of a monitor when the angle is 45°



Connecting Plate

For Passive Full-range Speaker

- (1) INPUT: Receive the power coming from an external power amplifier (SPK +1/-1 connected; +2 -2 not connected)
- (2) THRU: Direct LINK for connecting in parallel a second speaker cabinet (SPK +1/-1 connected; +2 -2 not connected).

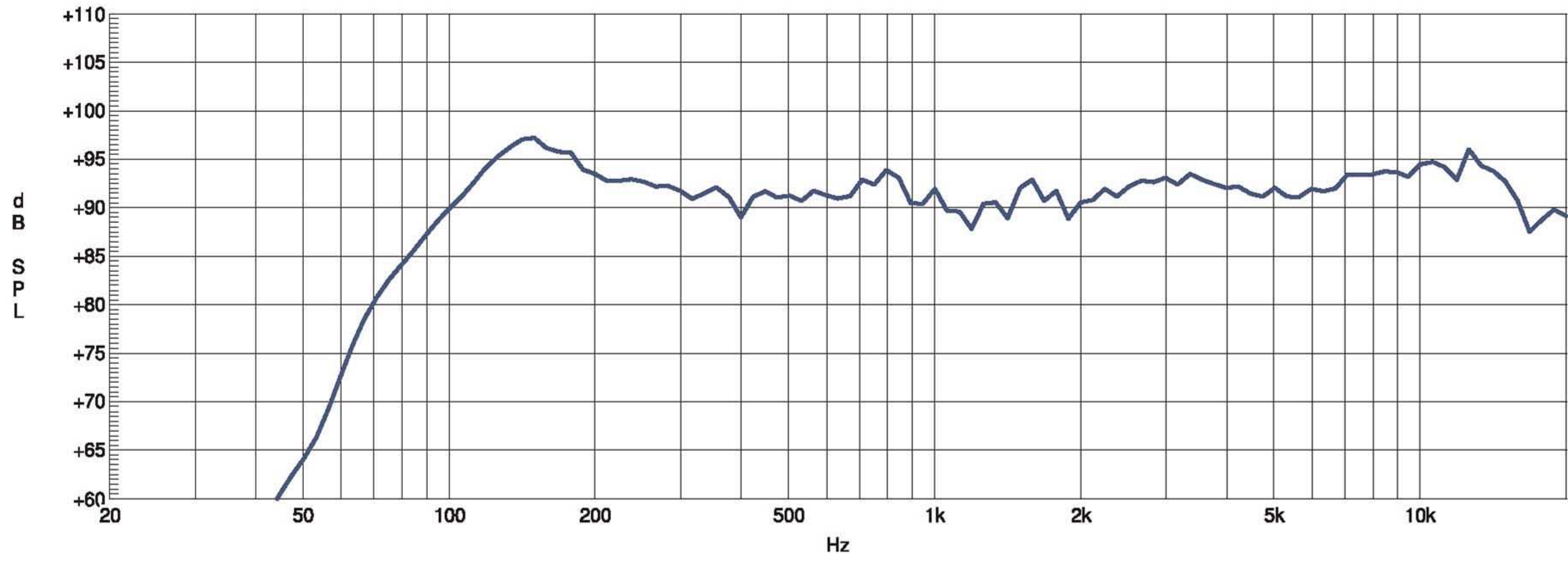




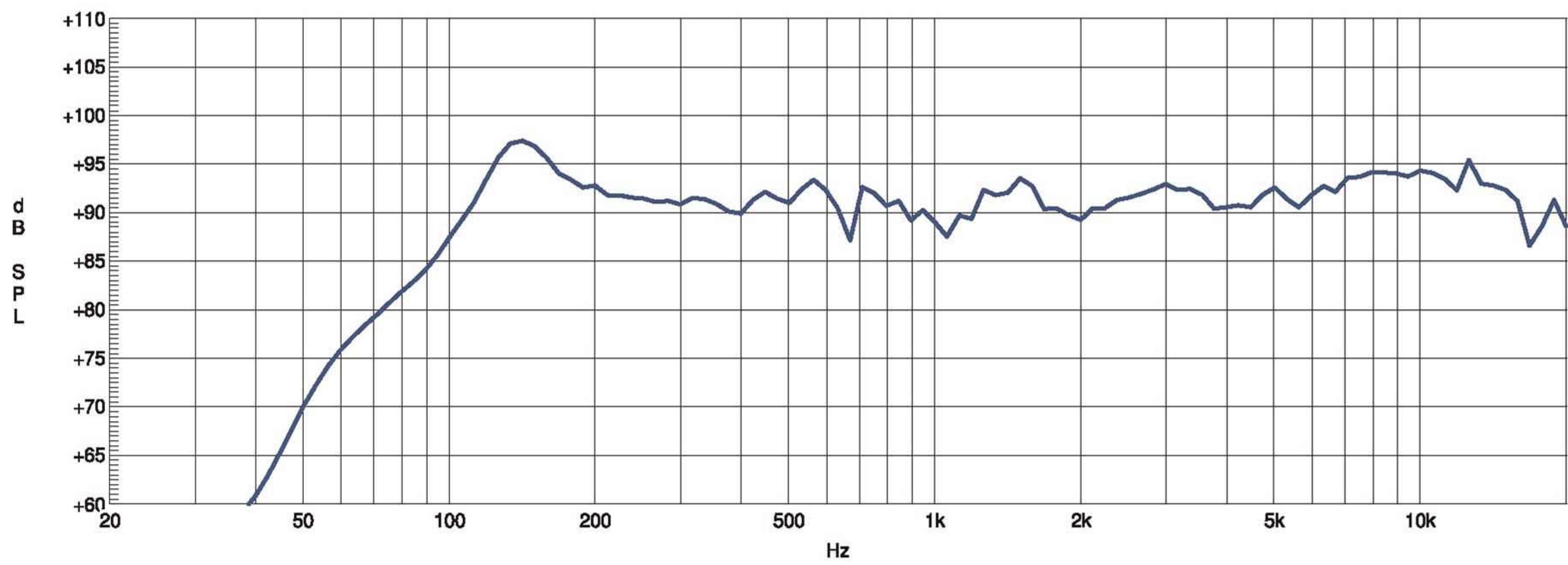
7

Frequency Response Diagram

X8



X10

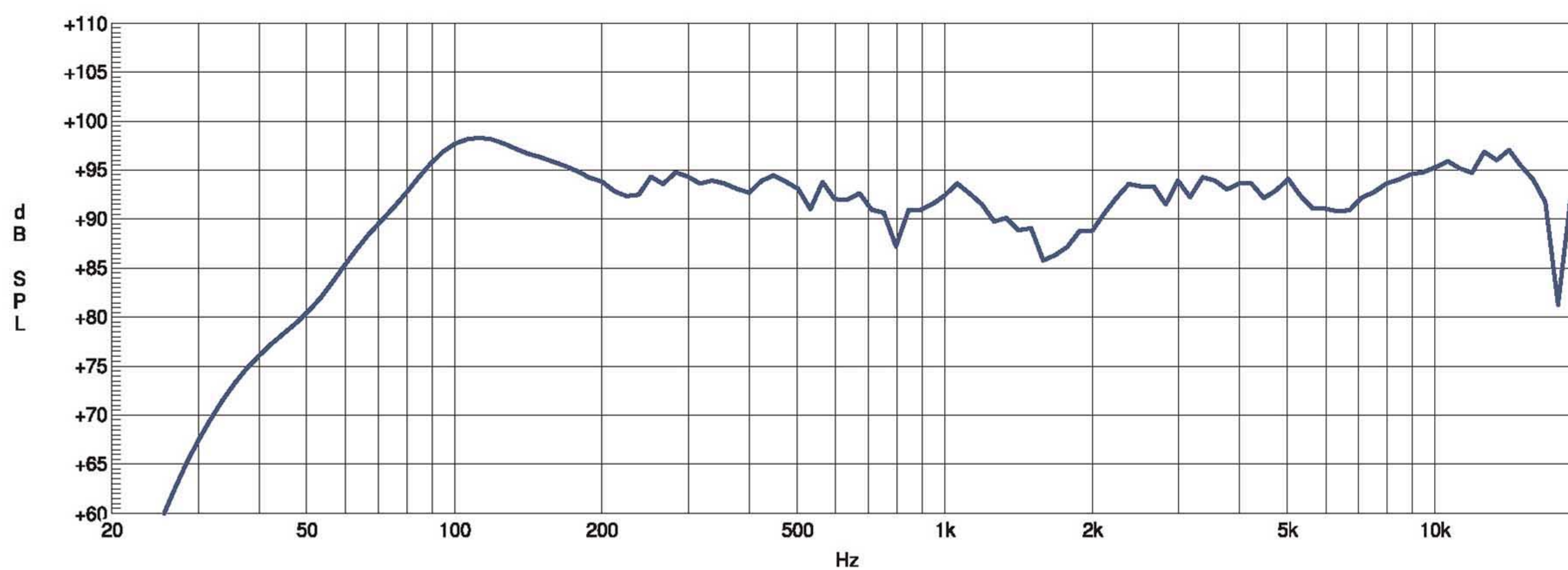




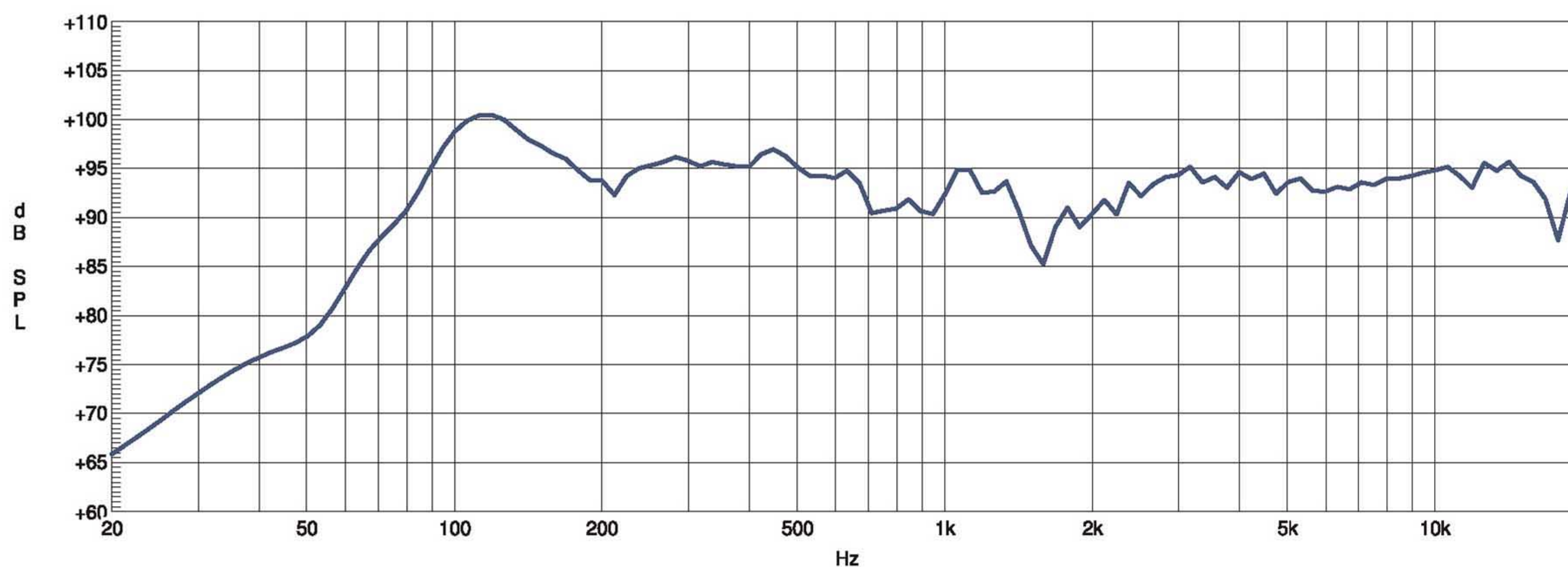
Frequency Response Diagram

7

X12



X15





8

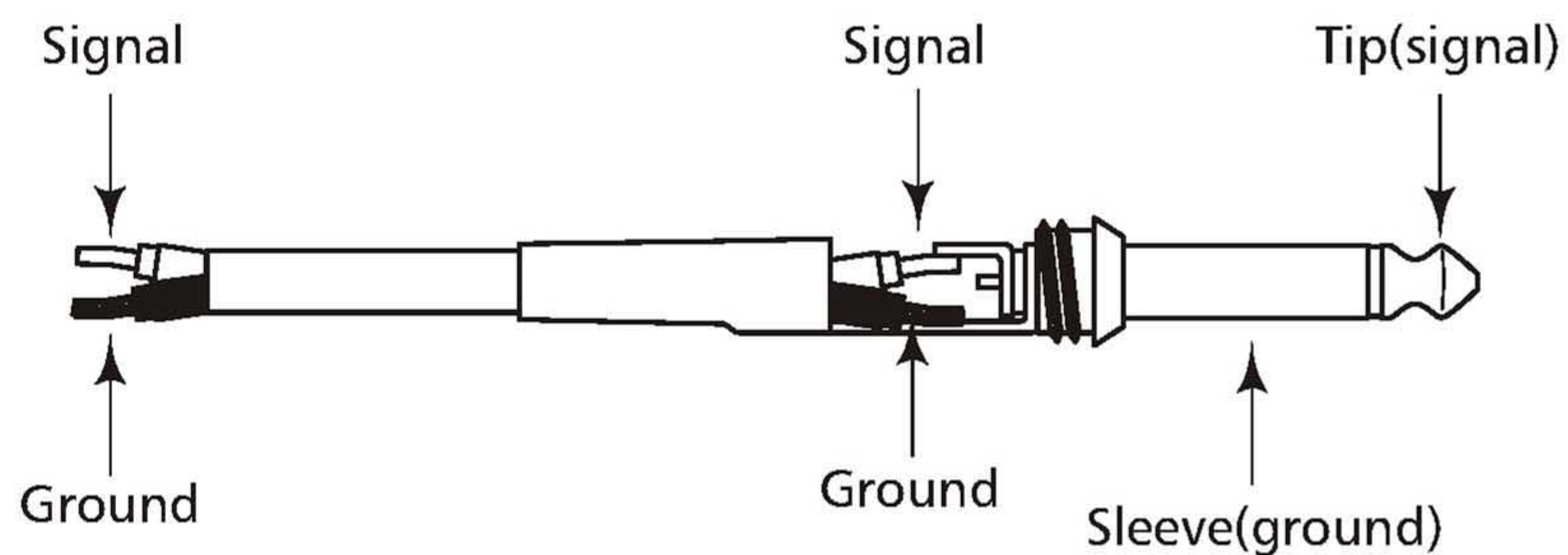
Wire Connections

The X series speaker connections are made via the rear panel 1/4" and/or Speakon® connectors for easy interface with industry standard cables. Standard, unshielded speaker wire (available at your local pro audio or music store), with either 1/4" phone or Speakon connectors and wire gauge of 12-14 AWG is recommended.

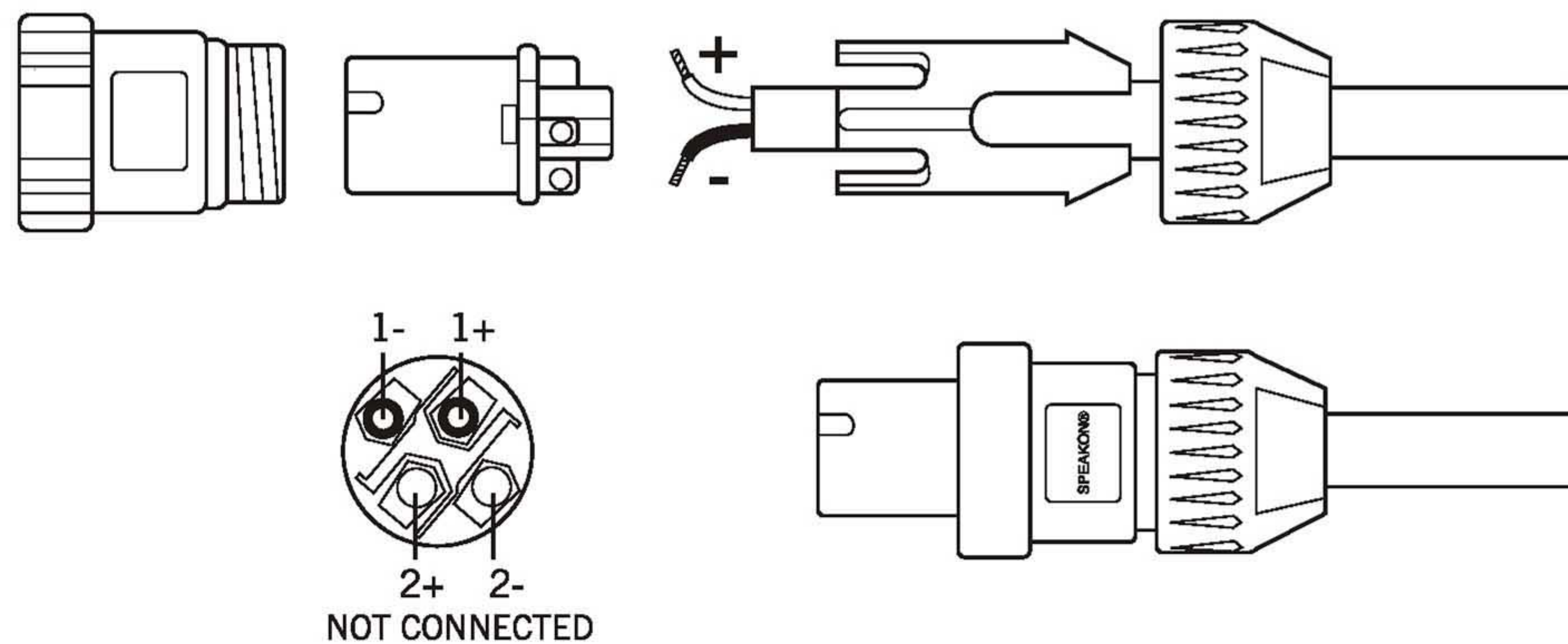
If your amplifier uses binding posts you can use speaker cables with banana connectors, but be sure to pay attention to the +/- polarity when making the connections. Make sure that the + terminal of the speaker, or banana connector, is connected to the + terminal of the power amplifier, and that the - terminal of the speaker, or banana connector, is connected to the - terminal of the power amplifier. It is important that your PA system is connected in-phase, otherwise you will not have the proper low-end response and stereo image.

Use the following diagrams below to ensure proper connections when wiring your system:

Unbalanced 1/4" Connector

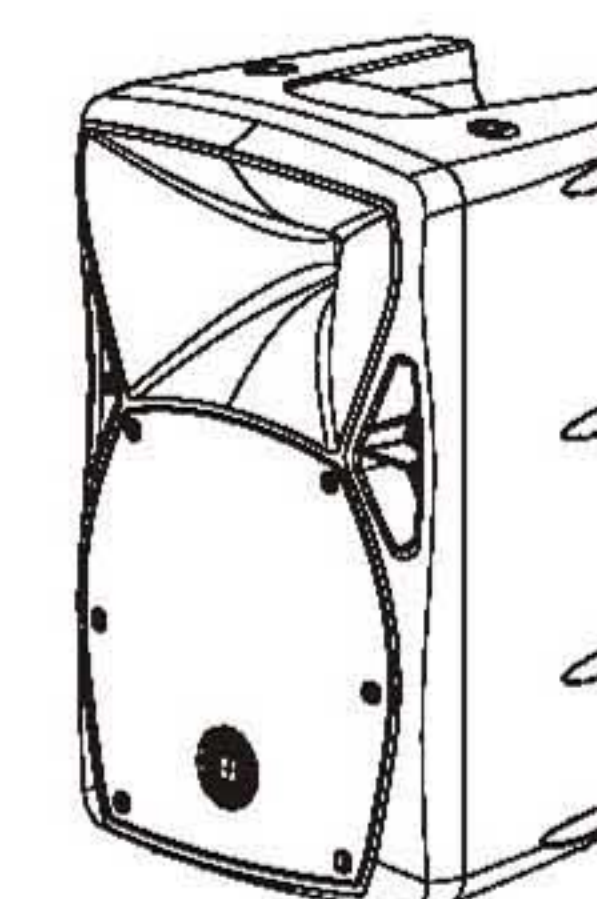


Speakon® Wiring Guide

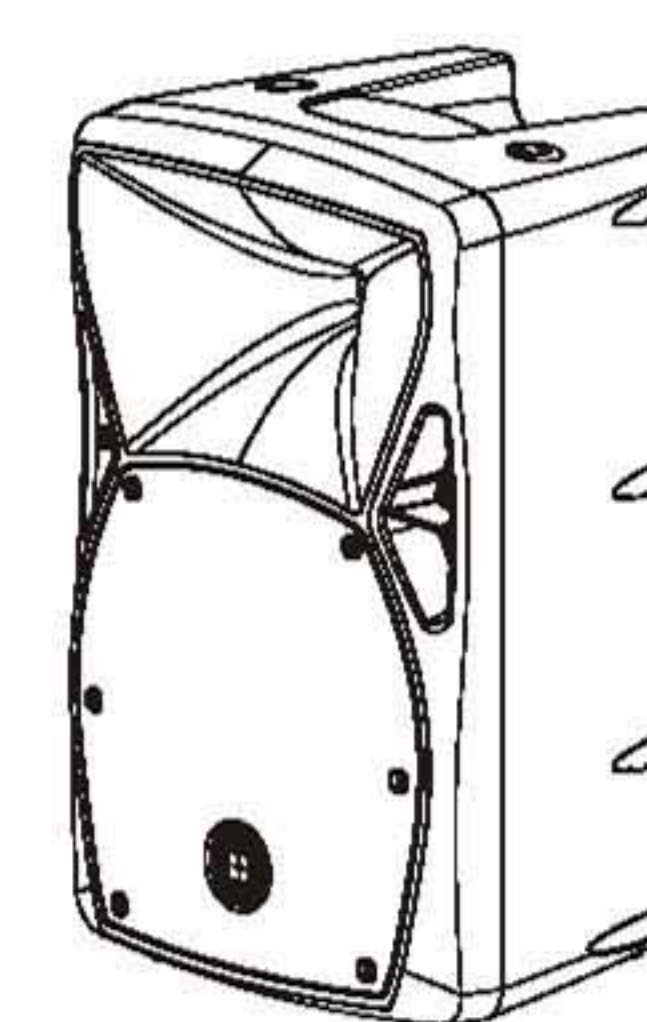


Technical Specifications

Model Passive	X8
System Type	2-Way Vented Passive Speaker Cabinet
Continuous Power	100 Watts
Peak Power	400 Watts
Max SPL(1M)	113dB Max
Frequency Response	68Hz-20kHz (-6dB)
Crossover Frequency	2.2kHz
Protection	PTC Protection for HF
Impedance	8 Ohms
Transducer Low	8"Woofer, 1.5"Voice Coil
Transducer High	1" Ferrite Drive, 1" Voice Coil
Connectors	2*1/4"Jack+SPK4(Pin1+, Pin1-)
Enclosure Construction	Plastic cabinet, Trapezoidal & Monitor shape, Metal grille, 1*Handle-On Top
Mounting	36MM standard pole-mount /4xM10 flying Points(Optional)
Dimensions (HxWxD)	420*270*240 mm
Net Weight	5.81 (kg)/ 12.8(lbs)
Volume	1.96 CFT



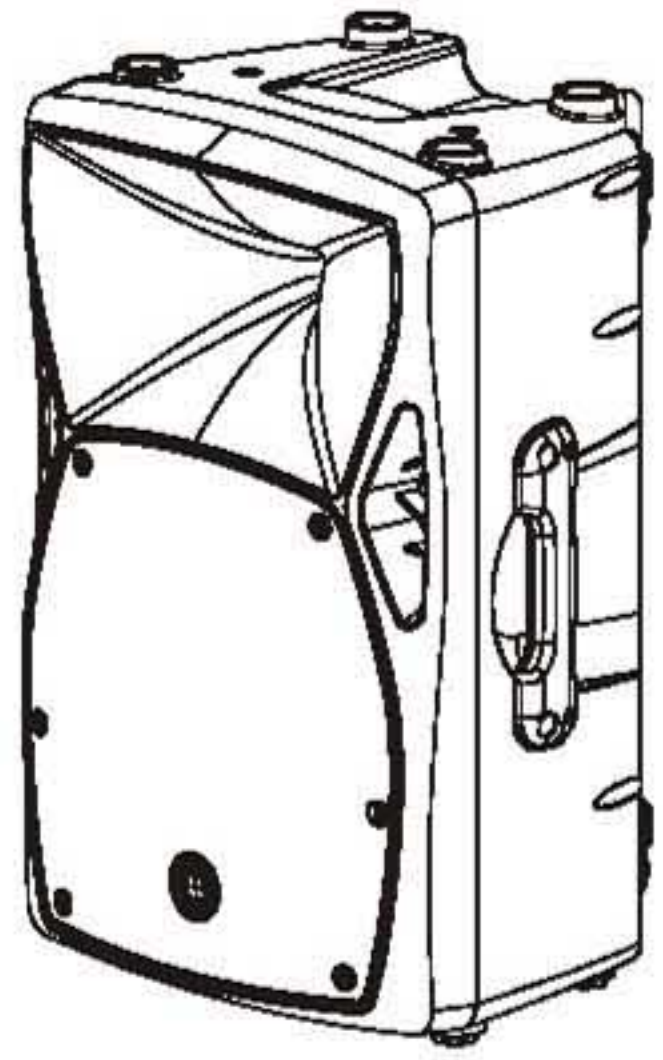
Model Passive	X10
System Type	2-Way Vented Passive Speaker Cabinet
Continuous Power	120 Watts
Peak Power	480 Watts
Max SPL(1M)	116dB Max
Frequency Response	65Hz-20kHz (-6dB)
Crossover Frequency	2.2kHz
Protection	PTC Protection for HF
Impedance	8 Ohms
Transducer Low	10"Woofer, 1.5"Voice Coil
Transducer High	1" Ferrite Drive, 1" Voice Coil
Connectors	2*1/4"Jack+SPK4(Pin1+, Pin1-)
Enclosure Construction	Plastic cabinet, Trapezoidal & Monitor shape, Metal grille, 1*Handle-On Top
Mounting	36MM standard pole-mount /4xM10 flying Points(Optional)
Dimensions (HxWxD)	460*285*265mm
Net Weight	6.8 (kg)/ 15(lbs)
Volume	2.36 CFT



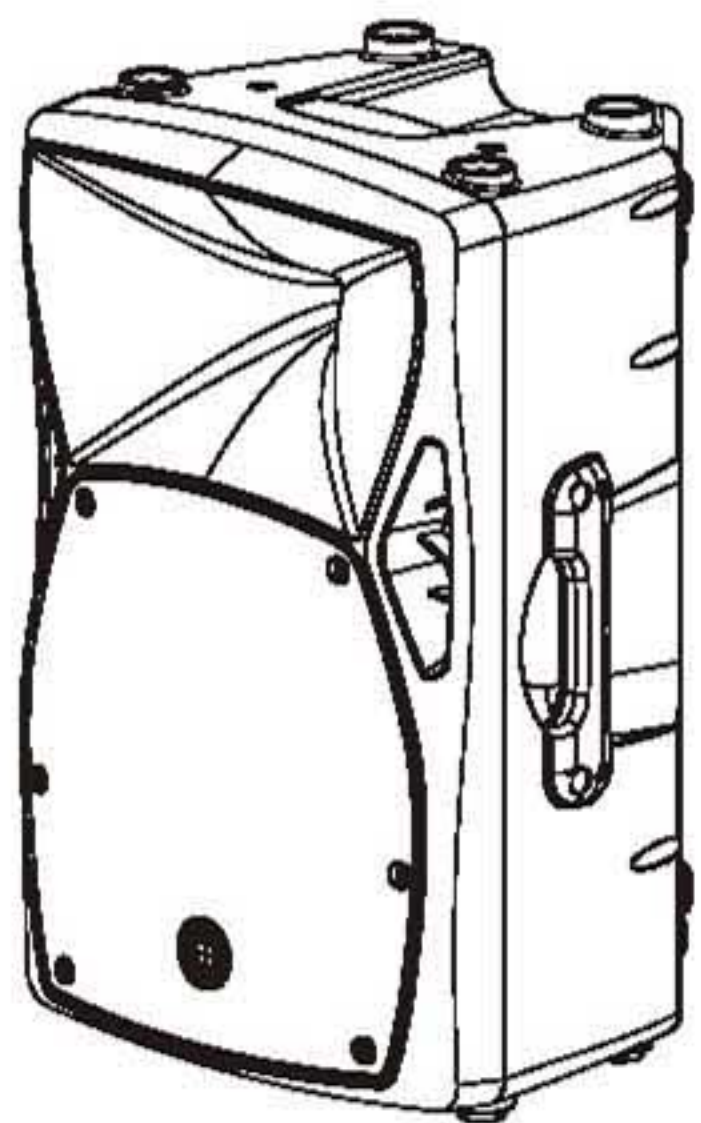


9

Technical Specifications



Model Passive	X12
System Type	2-Way Vented Passive Speaker Cabinet
Continuous Power	200 Watts
Peak Power	800 Watts
Max SPL(1M/1W)	119dB Max
Frequency Response	55Hz-20kHz (-6dB)
Crossover Frequency	2.5kHz
Protection	PTC Protection for HF
Impedance	8 Ohms
Transducer Low	12"Woofer,2"Voice Coil
Transducer High	1"Neodymium Drive,1"Voice Coil
Connectors	2*1/4"Jack+SPK4(Pin1+, Pin1-)
Enclosure Construction	Plastic cabinet,Trapezoidal & Monitor shape,Metal grille, Rubber feet,3* Handles (Top and sides)
Mounting	36MM standard pole-mount /4xM10 flying Points(Optional)
Dimensions (HxWxD)	607*380*337mm
Net Weight	13.75 (kg)/ 30.31(lbs)
Volume	4.71 CFT



Model Passive	X15
System Type	2-Way Vented Passive Speaker Cabinet
Continuous Power	200 Watts
Peak Power	800 Watts
Max SPL(1M/1W)	121dB Max
Frequency Response	50Hz-20kHz (-6dB)
Crossover Frequency	2.5kHz
Protection	PTC Protection for HF
Impedance	8 Ohms
Transducer Low	15"Woofer,2"Voice Coil
Transducer High	1"Neodymium Drive,1"Voice Coil
Connectors	2*1/4"Jack+SPK4(Pin1+, Pin1-)
Enclosure Construction	Plastic cabinet,Trapezoidal & Monitor shape,Metal grille, Rubber feet,3* Handles (Top and sides)
Mounting	36MM standard pole-mount /4xM10 flying Points(Optional)
Dimensions (HxWxD)	625*386*366mm
Net Weight	14.86 (kg)/ 32.8(lbs)
Volume	5.91 CFT



10

WARRANTY

Topp Pro guarantees the normal operation of the product against any defect of manufacture and / or vice of material, by the term of (12) months, counted as of the date of purchase on the part of the user, committing itself to repair or to change, to its election, without position some, any piece or component that will fail in normal conditions of use within the mentioned period.

This guarantee is valid if the original buyer will have to present/display this certificate properly sealed and signed by the selling house, accompanied by the corresponding invoice of purchase where it consisted the model and serial number of the acquired equipment.

The guarantee does not cover:

- Damages caused by the illegal use of the product, repair and/or non authorized modification conducted by people by **Topp Pro**.
- Damages caused by the connection of the equipment to other equipment different from the specified ones in the manual of use, or by bad connection to these last ones.
- Damages caused by electrical storms, blows and/or incorrect transport.
- Damages caused by excesses or falls of tension in the network or by connection to networks with a tension different from the required one by the unit.
- Damages caused by the presence of sand, acid of batteries, water, or any strange element inside the equipment.
- Deteriorations produced by the course of the time, use and/or normal wear of the unit.
- Alteration or absence of the serial number of factory of the equipment.

The repairs could only be carried out the authorized technical service by **Topp Pro**, that will inform about the term and other details into the repairs to take place according to this guarantee.

Topp Pro, will repair this unit in counted a term non greater to 30 days as of the date of entrance of the unit to the Technical Service. In those cases in that due to the particularity of the spare part, outside necessary their import, the repair time and the viability of the same one will be subject to the effective norms for the import of parts, in which case one will inquire to the user about the term and possibility into repair.

With the object of its correct operation, and of the validity of this one guarantee, this product will have to be installed and to be used according to the instructions that are detailed in the manual associate or the package of the product.

This unit will be able to appear for its repair, next to the invoice of purchase (or any other proof where the date of purchase consists), to its authorized distributor **Topp Pro** or an authorized technical center on watch by **Topp Pro**.

Exclusion of damages:

THE RESPONSABILITY OF TOPP PRO BY ANY DEFECTIVE PRODUCT IS LIMITED THE REPAIR OR THE REPLACEMENT OF HE HIMSELF, TO TOPP OPTION PRO. IF WE CHOSE TO REPLACE THE PRODUCT, THE REPLACEMENT CAN BE A RECONDITIONATED UNIT. TOPP PRO WILL NOT BE RESPONSIBLE BY THE DAMAGES BASED ON THE LOST, INCONVENIENCE, LOSS OF USE, BENEFITS, LOST SAVINGS, BY THE DAMAGE TO OTHER EQUIPMENT OR OTHER ARTICLES IN THE USE SITE, OR BY ANY OTHER DAMAGE IF HE IS FORTUITOUS, CONSEQUENT OR OF ANOTHER TYPE, ALTHOUGH TOPP PRO HAS BEEN NOTICED OF THE POSSIBILITY OF SUCH DAMAGES.

Some states do not allow to the exclusion or the limitation to the fortuitous or consequent damages, so the aforesaid limitation can not be applied to you.

This guarantee gives specific legal rights, you can also have other right that varies of state to state.



TOPP PRO MUSIC GEAR

www.topppro.com



S E R I E S



Manual de Usuario

SISTEMAS DE GABINETES PROFESIONALES X8 / X10 / X12 / X15

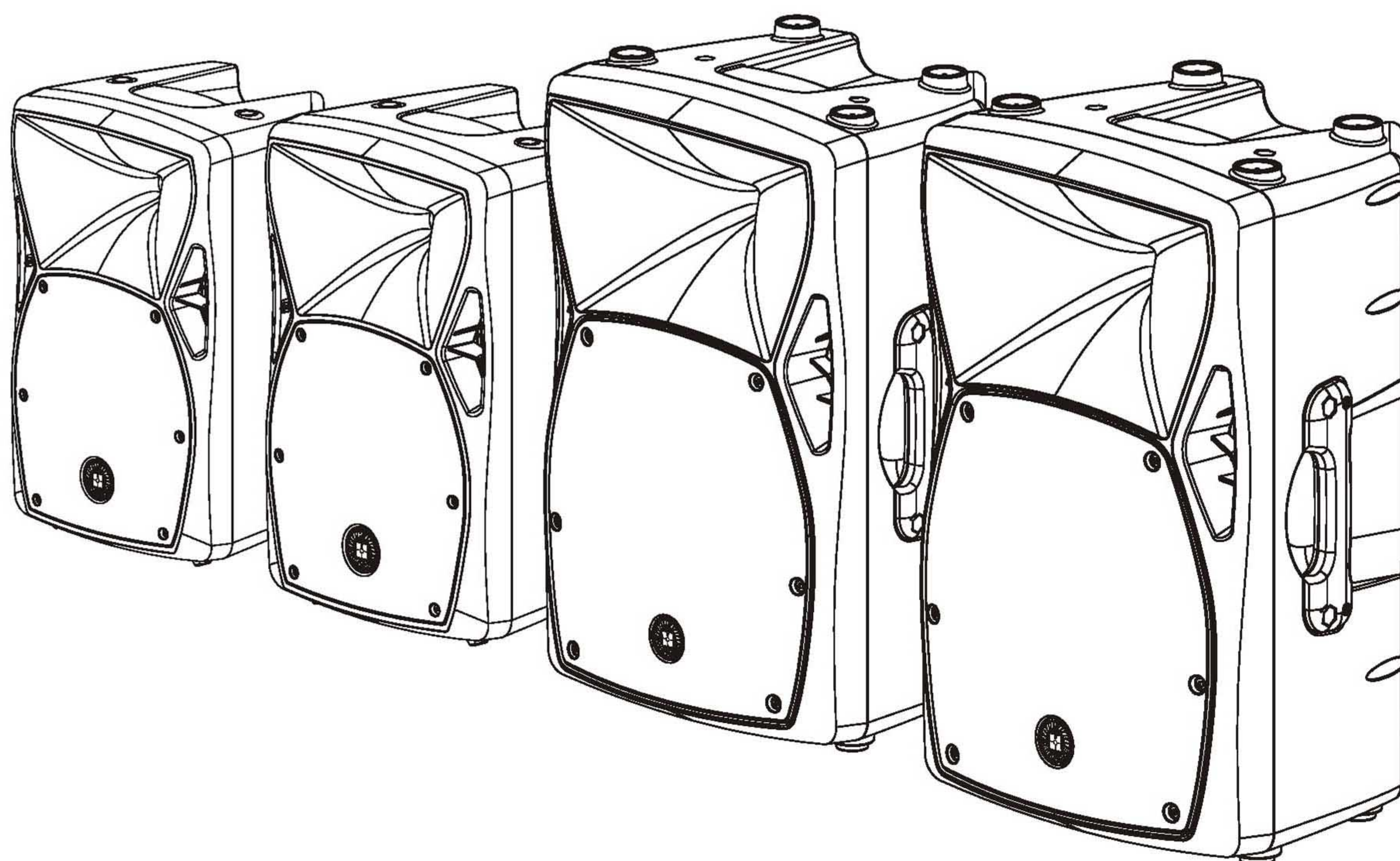
8"

10"

12"

15"

Gabinete
ACTIVO





Símbolos Relacionados con Seguridad



ATENCIÓN
Para reducir el riesgo de incendio o choque eléctrico no exponga este aparato a la lluvia o humedad.

No remueva los paneles
En el interior del producto hay áreas en las que hay altos voltajes. No quite los paneles hasta desconectar el cable de la red principal de alimentación. Los paneles deben ser removidos solo por personal de servicio calificado. No hay partes útiles para el usuario en el interior.



Este símbolo siempre es utilizado para alertarle de la presencia de voltajes peligrosos dentro de ésta unidad. Estos voltajes pueden constituir suficiente riesgo de un choque eléctrico.



Este símbolo siempre es utilizado para alertarle de importantes instrucciones de operación o de mantenimiento. Por favor cuando lo vea, lea la instrucción.



Terminal de Tierra



AC Principal (Corriente Alterna)



Terminal Peligrosa Viva

ON:

Denota que la unidad está encendida

OFF:

Denota que la unidad está apagada

Advertencia: Describe precauciones que deben tomarse para prevenir la muerte o heridas del usuario.

Precaución: Describe las precauciones que deben ser observadas para prevenir daños en la unidad.

Advertencia

Fuente de Alimentación

Asegúrese de que el voltaje general es igual al voltaje del equipo antes de encender el aparato. No comprobarlo puede resultar en daños al equipo y al usuario. Desconecte el equipo ante la amenaza de tormenta eléctrica o cuando no vaya a usarse por largos períodos de tiempo.

Conexión Externa

La conexión de cableado con conectores vivos requiere que sea realizado por personal instruido o implica la utilización de cableado listo para usar. No usarlo implica riesgo de incendio o muerte.

Fusible

Para prevenir el riesgo de fuego o daños al producto, use solo el tipo de fusible recomendado en este manual. No ponga en cortocircuito el soporte del fusible. Antes de reemplazar el fusible, asegúrese que el producto está apagado y desconectado de la red de electricidad.

Conexión a Tierra

Antes de encender el equipo, asegúrese que está conectado a tierra. Esto prevendrá el riesgo de choque eléctrico. Nunca corte los cables internos o externos. Asimismo, nunca remueva la conexión a tierra.

Instrucciones de Operación

Este aparato no debe ser expuesto a salpicaduras o gotas y no se deben apoyar vasos con líquidos sobre el aparato.

No use este aparato cerca del agua.

Instale este equipo de acuerdo a las instrucciones del fabricante.

No instale el equipo cerca fuentes de calor, tales como radiadores, estufas o cerca de otros aparatos que producen calor.

No bloquee ningún orificio de ventilación. No coloque ninguna fuente de llamas vivas (por ejemplo: candelabros o velas) sobre el aparato.



No deposite ninguna parte de esta unidad en los basureros municipales. Utilice depósitos especiales para esos efectos.

ADVERTENCIA DE TRANSPORTE



Racks y Pedestales

El componente debe ser utilizado únicamente con racks o soportes recomendados por el fabricante.

La combinación de un componente y rack debe moverse con cuidado.

Detenciones rápidas, fuerza excesiva y superficies desparejas pueden causar que el componente, el rack o el pedestal vuelquen.

INSTRUCCIONES IMPORTANTES DE SEGURIDAD

- Lea estas instrucciones.
- Siga estas instrucciones.
- Guarde estas instrucciones.
- Tenga en cuenta todas las advertencias.
- Use solo accesorios especificados por el fabricante.

Cable de alimentación y conexión

No altere el cable y el enchufe. Un enchufe polarizado tiene 2 patas con una más ancha que la otra. Un enchufe con toma a tierra posee 2 patas y una tercera es la conexión a tierra. Son diseñados teniendo en cuenta su seguridad. No quite la conexión a tierra!!

Conecte el equipo a un tomacorriente cercano, de fácil acceso y con protección a tierra.

Si su enchufe no entra en su tomacorriente requiera la ayuda de un electricista calificado.

Proteja al cable y al enchufe de cualquier presión física para evitar riesgo de choque eléctrico.

No coloque objetos pesados sobre el cable de alimentación. Esto puede causar choque eléctrico o fuego.

Limpieza

De ser necesario, sople el polvo del producto o utilice un paño seco. No use solventes tales como: bencina, alcohol u otro fluido muy inflamable y volátil para limpiar el aparato.

Servicio Técnico

Para servicio técnico consulte solo con el personal de servicio calificado. Para reducir el riesgo de choque eléctrico, no realice ningún tipo de servicio más allá del descrito en este manual.

Atención

La exposición a niveles de sonido extremadamente altos puede ocasionar la pérdida de audición de manera irreversible.

La Administración de Seguridad y Salud Ocupacional del gobierno de los Estados Unidos (OSHA), ha especificado los niveles permitidos de exposición. Estos se muestran a continuación:

Horas por día	SPL	Ejemplo
8	90	Concierto pequeño
6	92	Tren
4	95	Subterráneo
3	97	Monitoreo de alto nivel
2	100	Concierto de música clásica
1.5	102	
1	105	
0.5	110	
0.25 o menor	115	Concierto de Rock

Según la OSHA la exposición excesiva a altos niveles de SPL puede provocar sordera. Para prevenirla, recomienda que el personal que trabaja que equipos capaces de generar altos SPL, utilice protección auditiva cuando esos equipos están en operación.



Tabla de contenido

1. INTRODUCCION	4
2. CONSEJOS DE INSTALACION	4
3. DATOS UTILES	4
4. DIAGRAMA DE CONEXIONES	5
5. COLGADO	6
6. PANEL TRASERO	7
7. RESPUESTA DE FRECUENCIA	8
8. ALAMBRADO	10
9. ESPECIFICACIONES TECNICAS	11
10. GARANTIA	13



1

Introducción

Gracias por preferir los productos **Top Pro**. Estos productos son diseñados por un equipo de ingenieros altamente calificados en la línea de pro-audio, con más de 30 años de experiencia. Cada producto que se entrega al mercado está construido con mucho orgullo y cuidado. Fue fabricado para satisfacer múltiples necesidades y aplicaciones, ofreciendo un valor excepcional a nuestros clientes.

La creatividad y dedicación de nuestros ingenieros junto con la última tecnología en herramientas y los últimos conceptos en diseños acústicos, crean productos para aplicaciones reales. Todos los productos **Top Pro** están probados por los más estrictos estándares y regulaciones de la industria.

Por favor lea este manual cuidadosamente para obtener el máximo rendimiento y funcionalidad de este equipo.

2

Consejos de Instalación

- 1- Los gabinetes deben ser puestos en una posición que permita la mejor proyección sin que nada los obstruya. En muchos casos será necesario elevar los gabinetes en un trípode o colgarlos para obtener una mayor dispersión y alcance.
- 2- Utilice materiales de buena calidad cuando tenga que colgar los gabinetes. Tome precauciones de seguridad para prevenir accidentes.
- 3- Utilice cableado de buena calidad en todas las conexiones, esto asegurará buena calidad y eficiencia en el sonido final.
- 4- Para mejor resultado y aprovechamiento de su sistema de sonido, asegúrese de que su amplificador tenga un porcentaje de potencia mayor al del consumo de sus gabinetes, esto le evitará la saturación y protegerá sus componentes.
- 5- Para algunas aplicaciones, se puede combinar un gabinete pasivo con un sub bajo para obtener más profundidad.
- 6- Para los gabinetes activos que no necesitan un amplificador externo, es recomendable utilizar un mezclador de buena calidad.
- 7- Evite poner los micrófonos en frente de sus gabinetes o dirigirlos directamente hacia ellos, este evitará la retroalimentación (feedback) que podría destruir los componentes de los gabinetes y que es tan molesto para la audiencia.

3

Datos Útiles

Por favor anote aquí el número de serie para una futura referencia.

Número de Serie:

Fecha de Compra:

Adquirido en:

Diagrama de Conexión

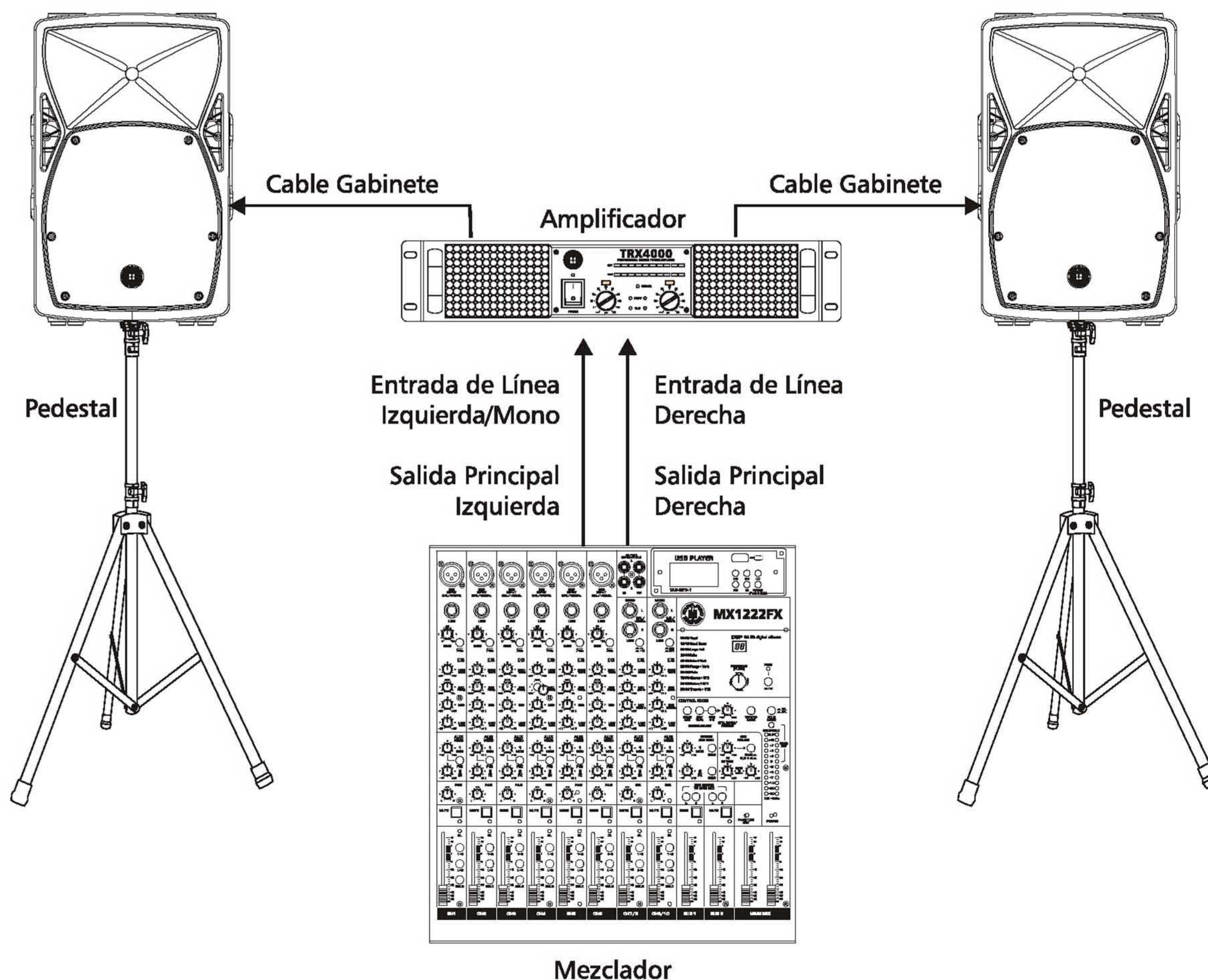
Antes de hacer cualquier conexión, asegúrese de que todo su equipo esté apagado. Además de que todos los controles de volumen estén totalmente abajo.

Para Sistema de Rango Completo Pasivo

- 1) Conecte un lado del cable de bocina a la salida de su amplificador estéreo CHA/CHB o en los postes (Rojo y Negro) y el otro lado del cable, al conector de entrada del gabinete.
- 2) Complete las otras conexiones como se muestra en la ilustración
- 3) Encienda su mezclador primero y después el amplificador de poder
- 4) Suba el control de volumen de su amplificador completamente (100%)
- 5) Utilice la función del PFL para ajustar la entrada del canal del mezclador y manipule el volumen de su equipo desde el control maestro
- 6) Después de utilizar el equipo, apague primero su amplificador de poder y después el mezclador.

X8 / X10 / X12 / X15

X8 / X10 / X12 / X15

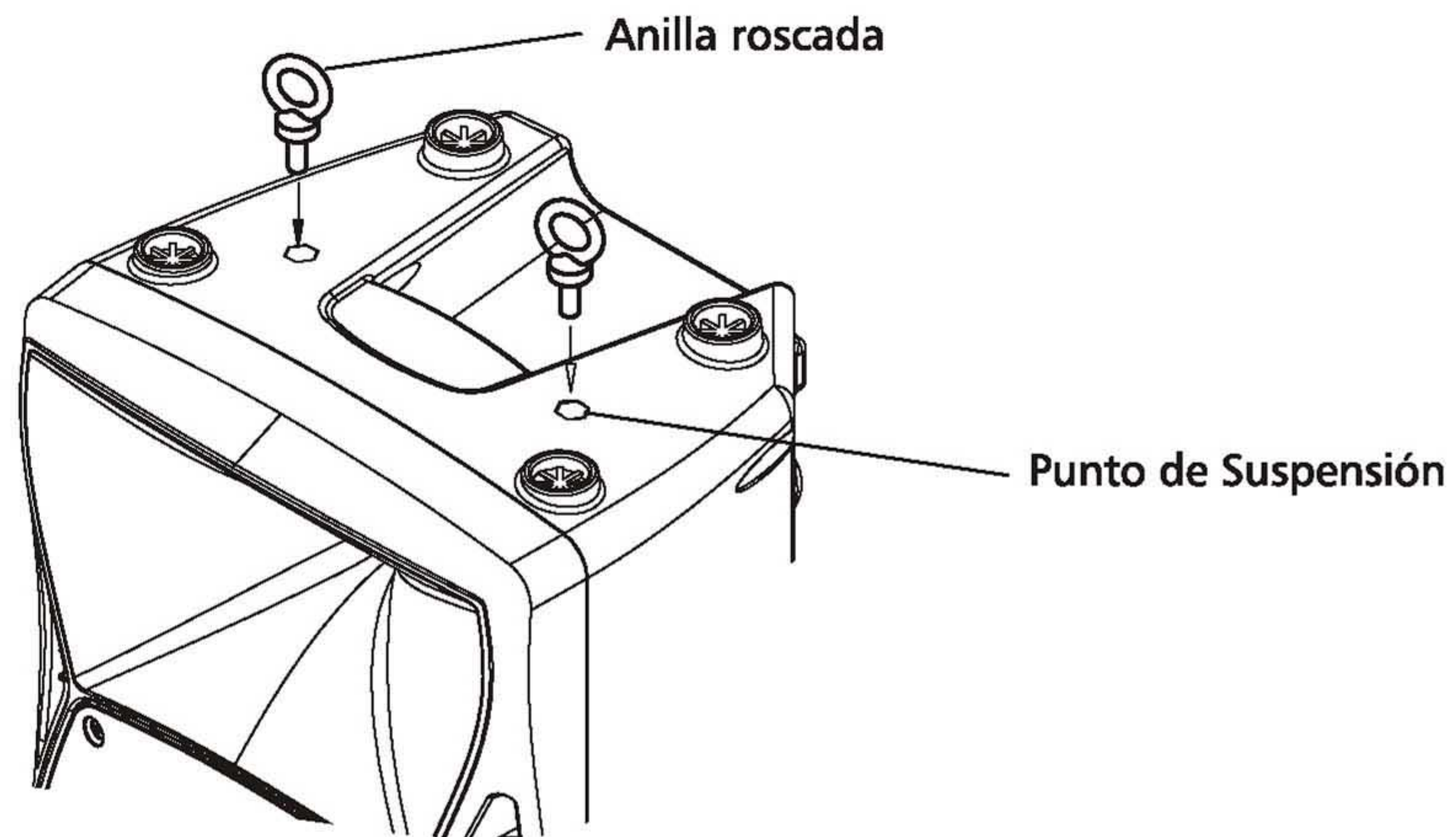




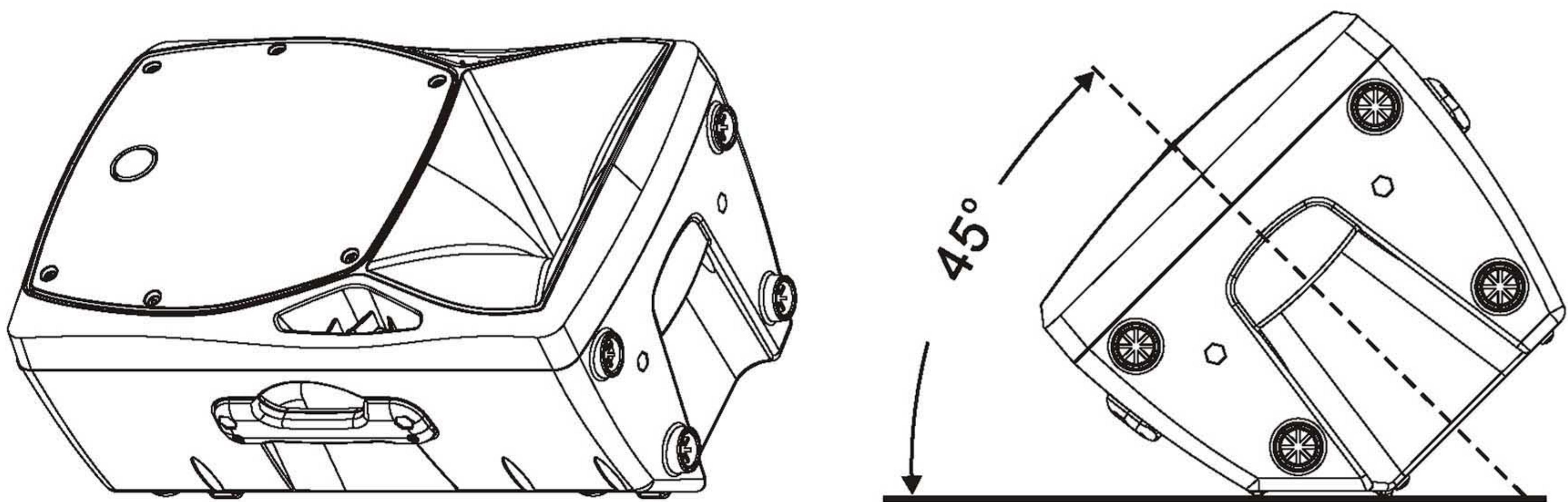
7

Colgado

La serie X de gabinetes esta provista de puntos de suspensión para su instalación colgada. Para más detalle refiérase a la siguiente ilustración. (Tornillos no incluidos)



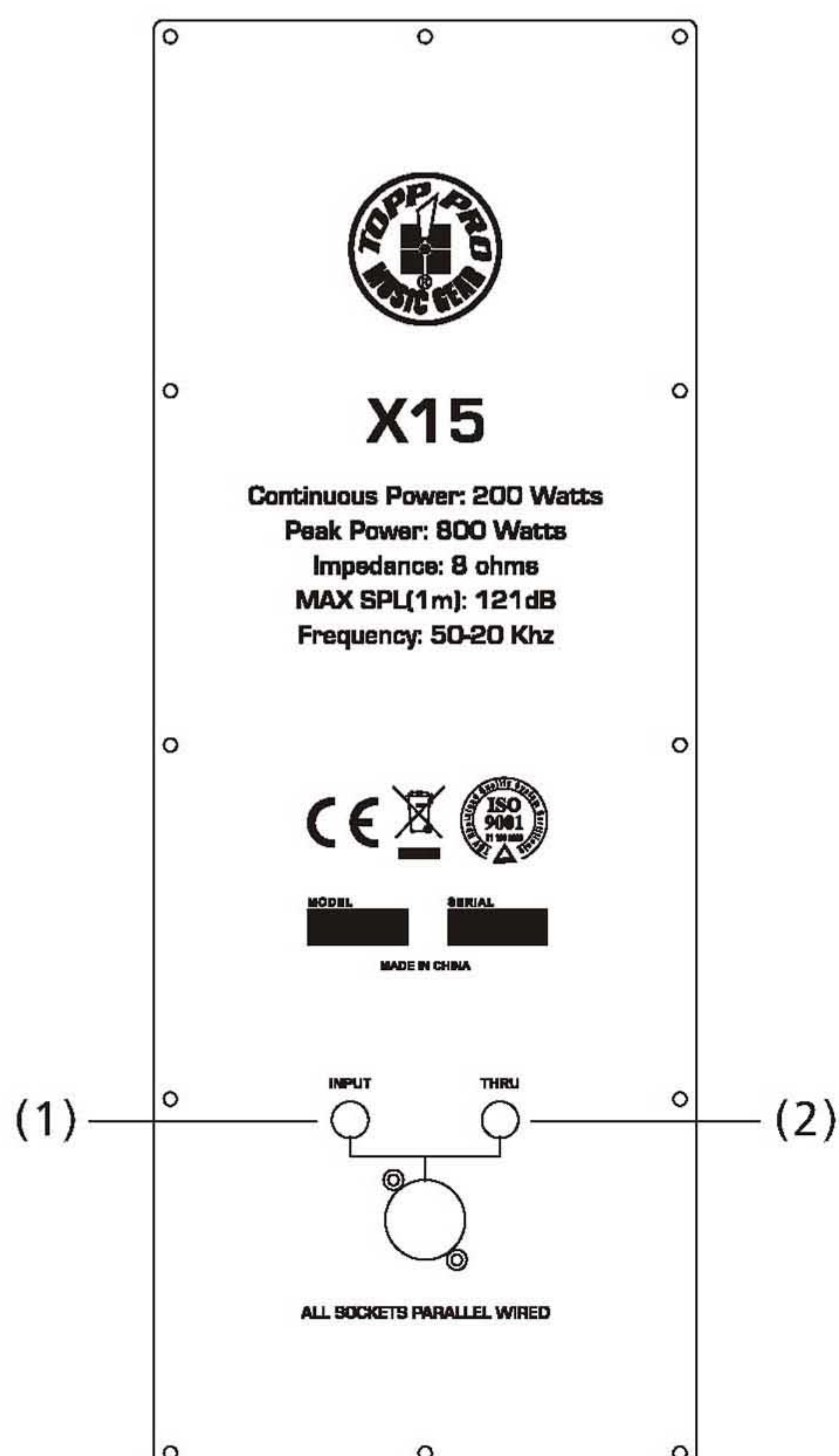
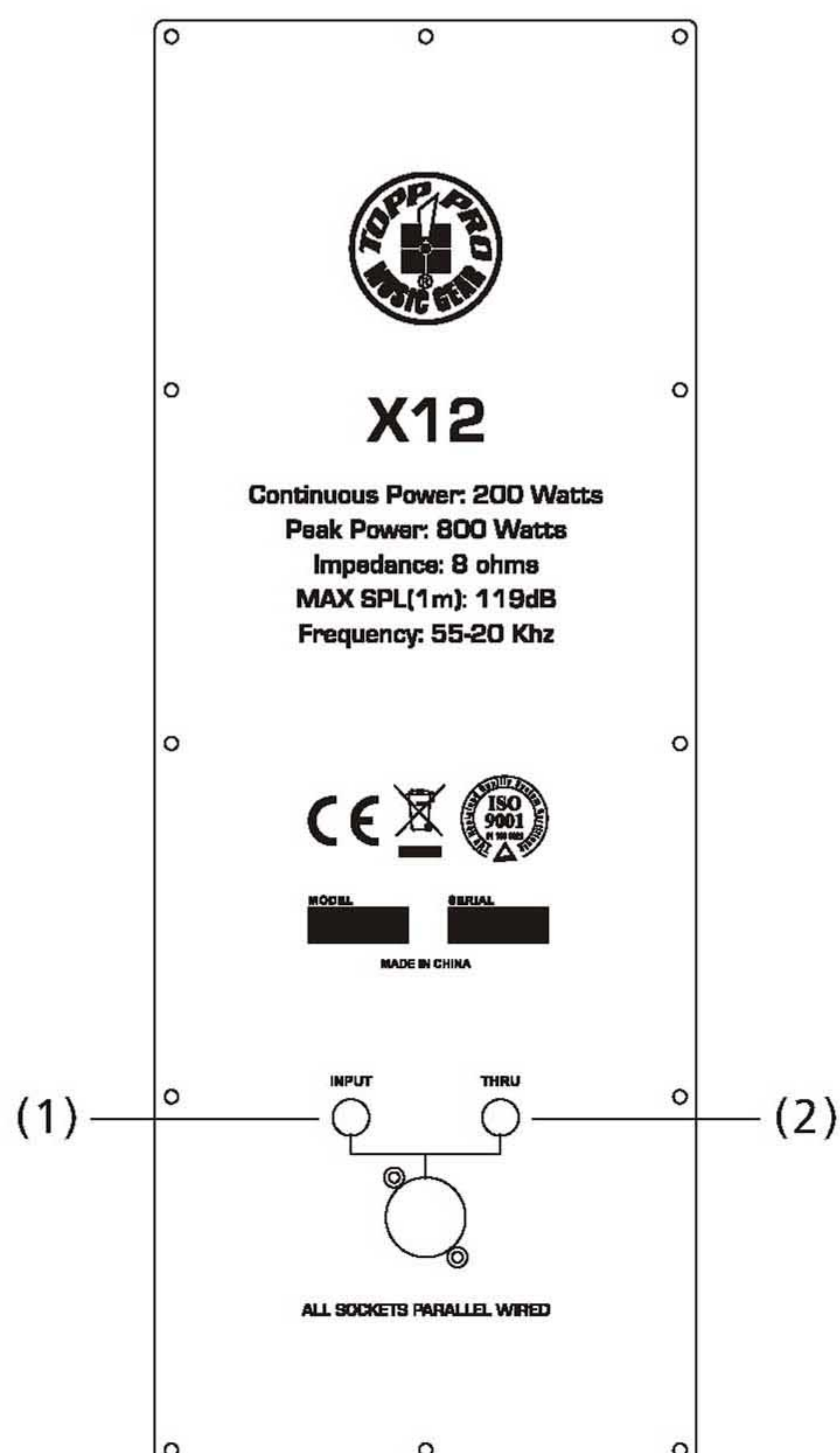
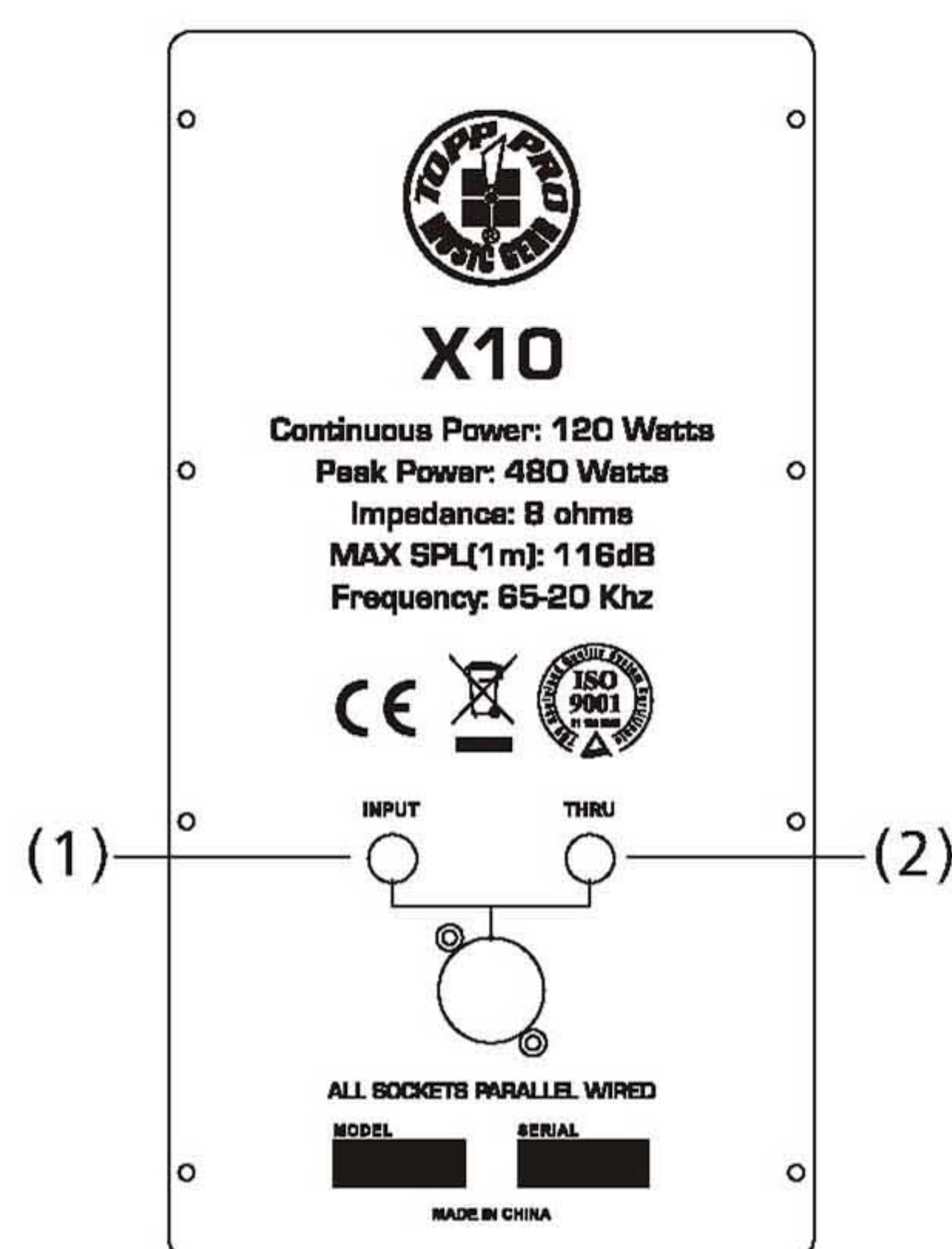
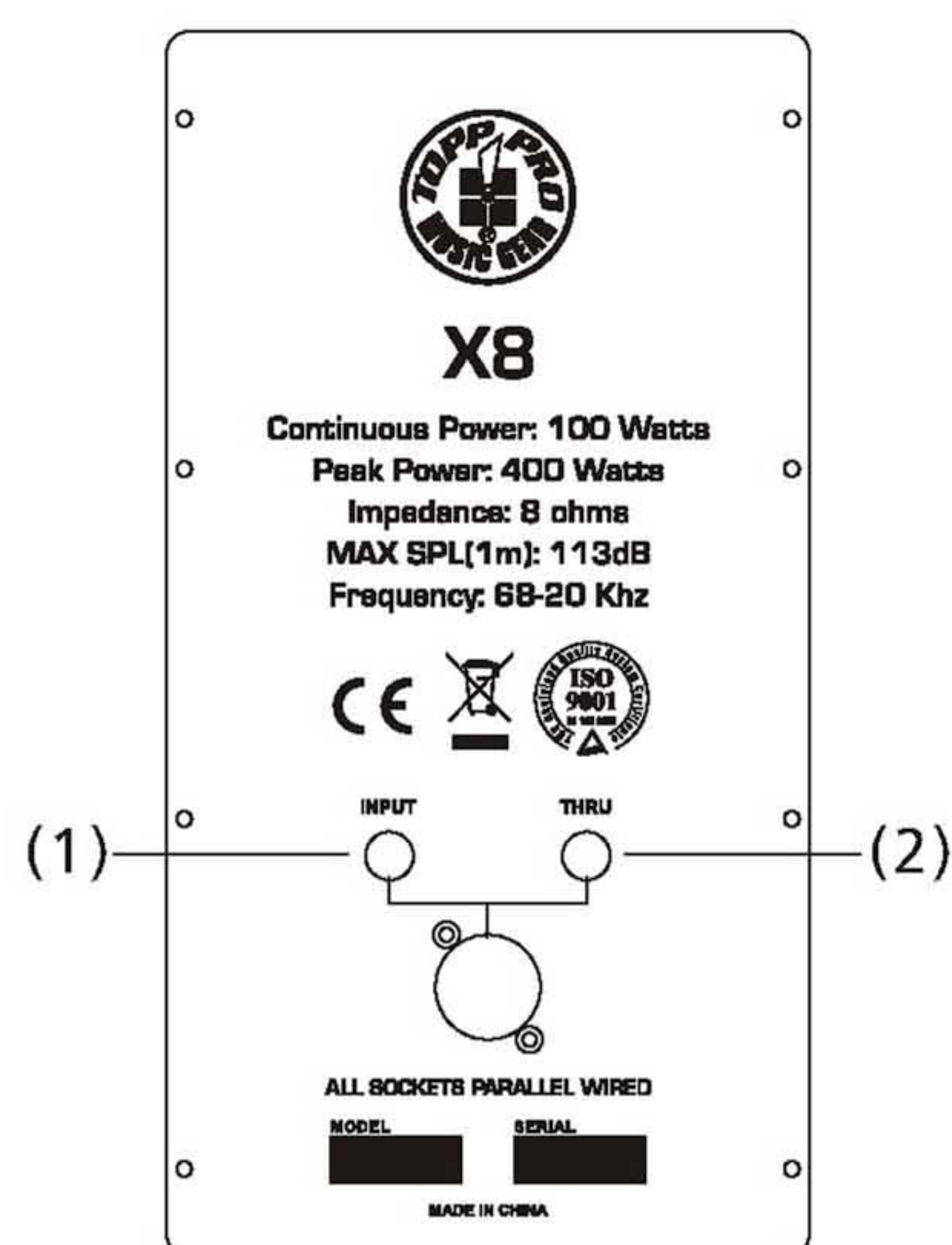
Esta serie tiene la opción de uso como monitor, para eso cuenta con un soporte el cual tiene un ángulo de 45°



Panel Trasero

Para gabinetes de Rango Completo

- 1- Entrada: Este conector recibe la señal que proviene de un amplificador externo
Conector SPK +1 / -1 conectado; +2 / -2 No conectado
- 2- Salida: Este conector se utiliza para conectar otro gabinete en forma paralela
Conector SPK +1 / -1 conectado; +2 / -2 No conectado

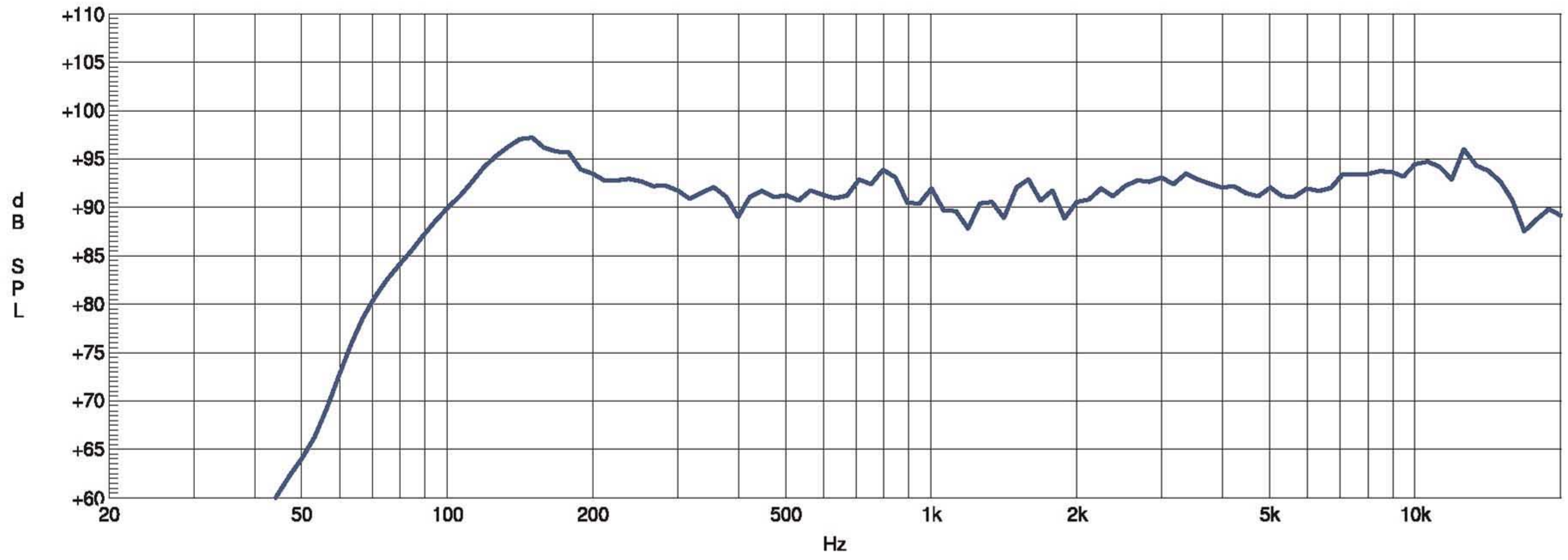




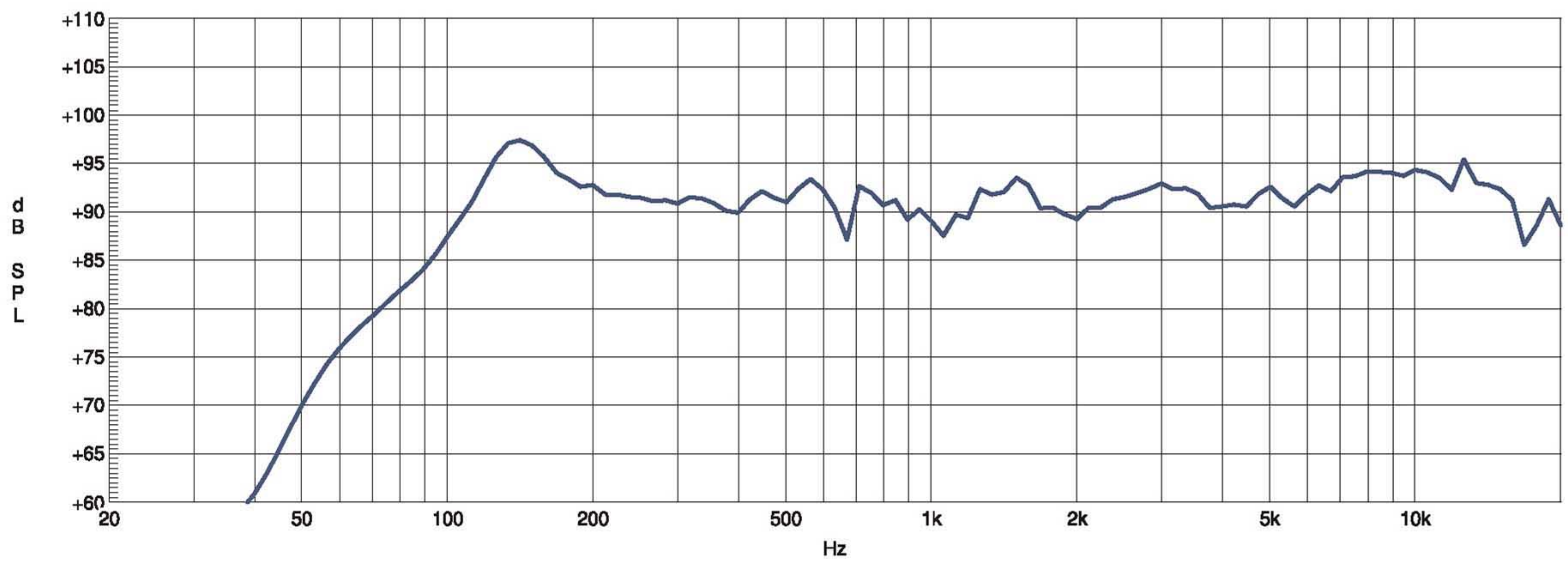
7

Respuesta de Frecuencia

X8



X10

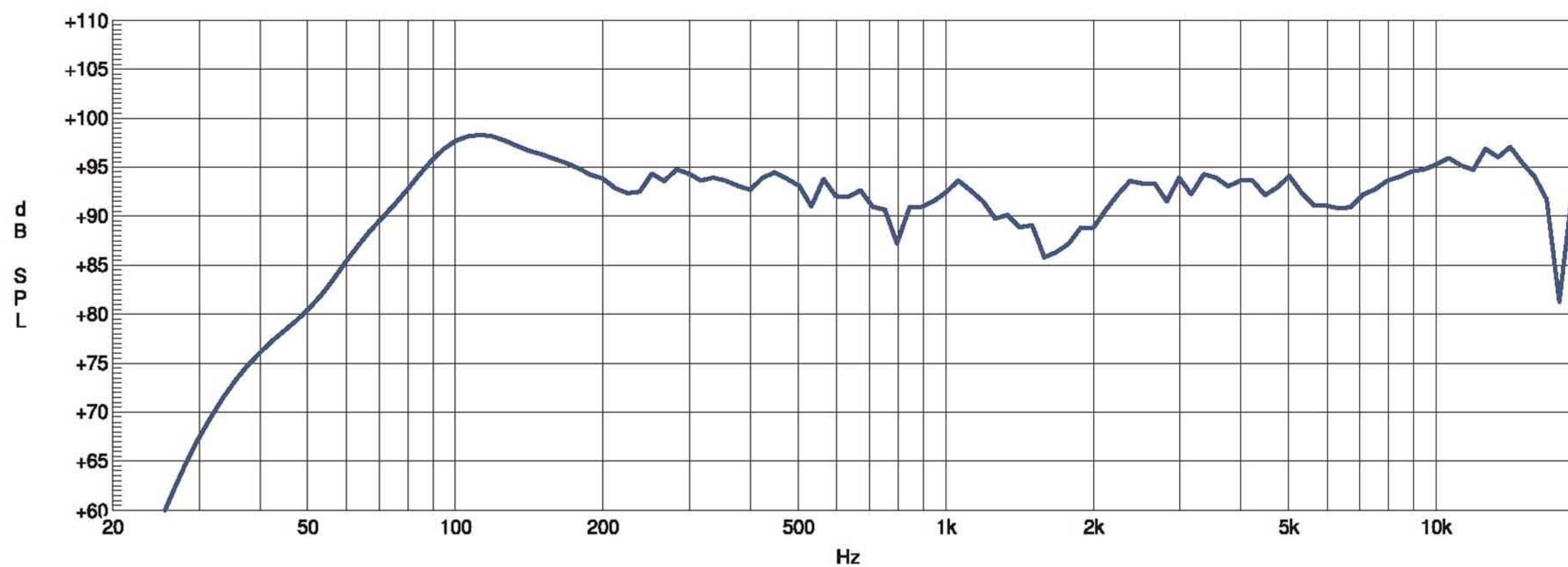




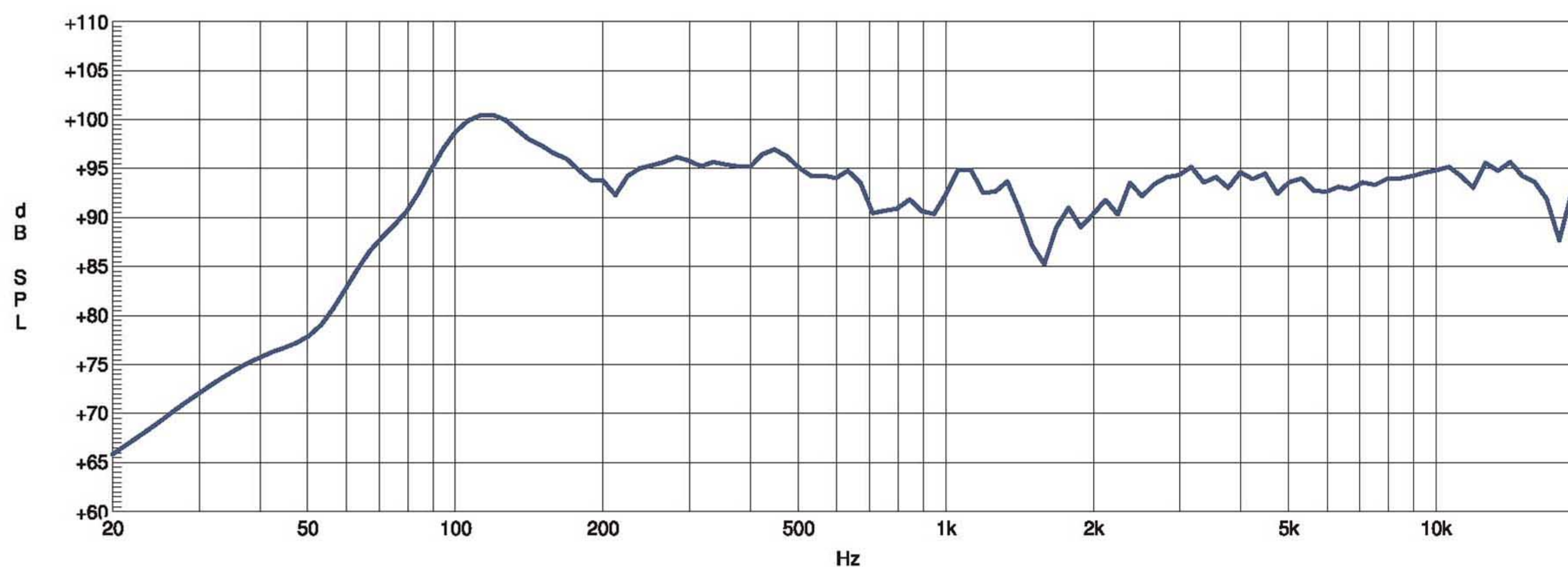
7

Respuesta de Frecuencia

X12



X15



8

Alambrado

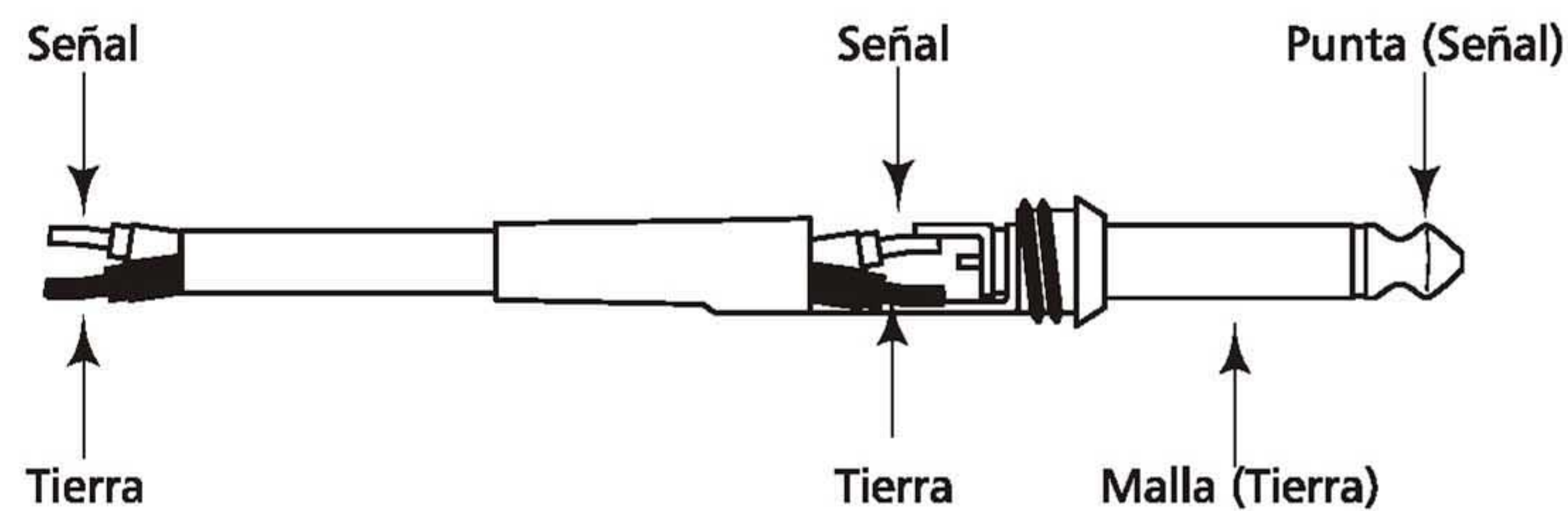
Las conexiones de los gabinetes de la serie X pasiva se realizan a través de los conectores de 1/4" o conectores tipo Speakon ubicados en el panel posterior, los cuales utilizan cables estándar de la industria. Se recomienda el cable para parlante estándar, sin blindaje (disponibles en tiendas de audio profesional local o tiendas de música). Se recomienda la utilización de conectores de buena calidad y cables de calibre entre 12 y 14 AWG.

Si sus amplificadores utilizan conectores tipo "Poste", se pueden usar conectores tipo "Banana", pero debe poner atención a la polaridad del (+/-) cuando haga las conexiones. Asegúrese de que la terminal (+) del gabinete o del conector "Banana" se conecte a la terminal (+) del amplificador (normalmente es de color rojo) al igual que la conexión del (-) (color negro).

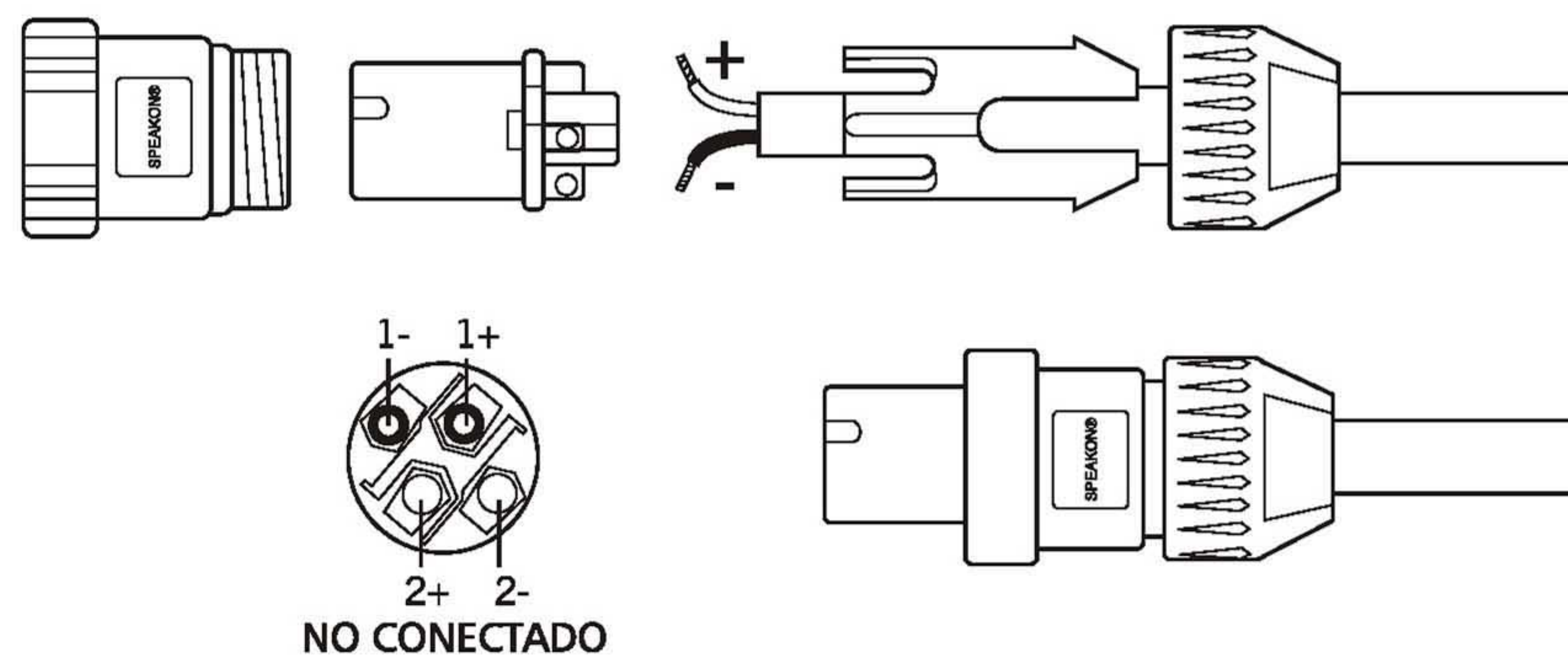
Esto es de suma importancia ya que de no mantener una polaridad correcta, su sistema podrá tener pérdidas en la eficiencia de ganancia y dispersión debido a la cancelación entre componentes.

El siguiente es un diagrama del alambrado con diferentes tipos de conectores:

Conector de 1/4" No balanceado

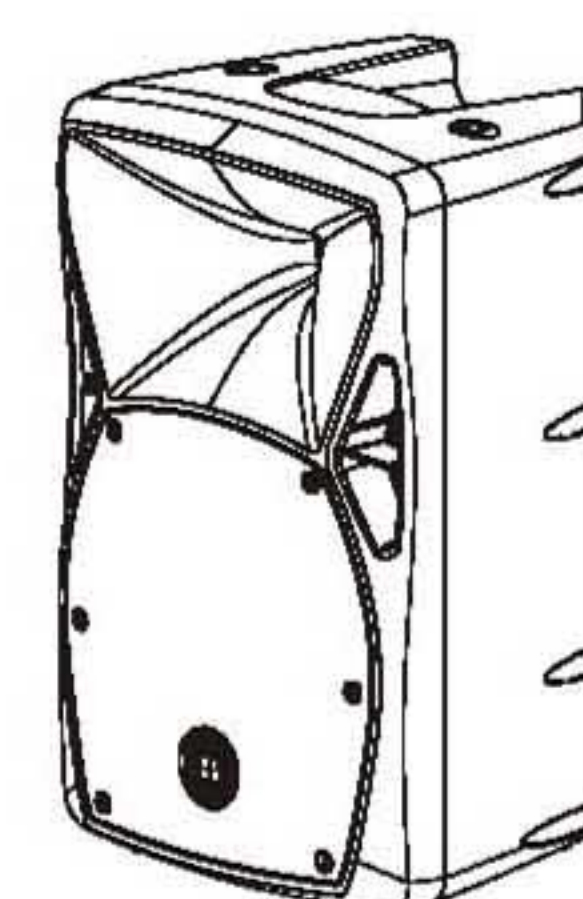


Guía de alambrado para conector Speakon

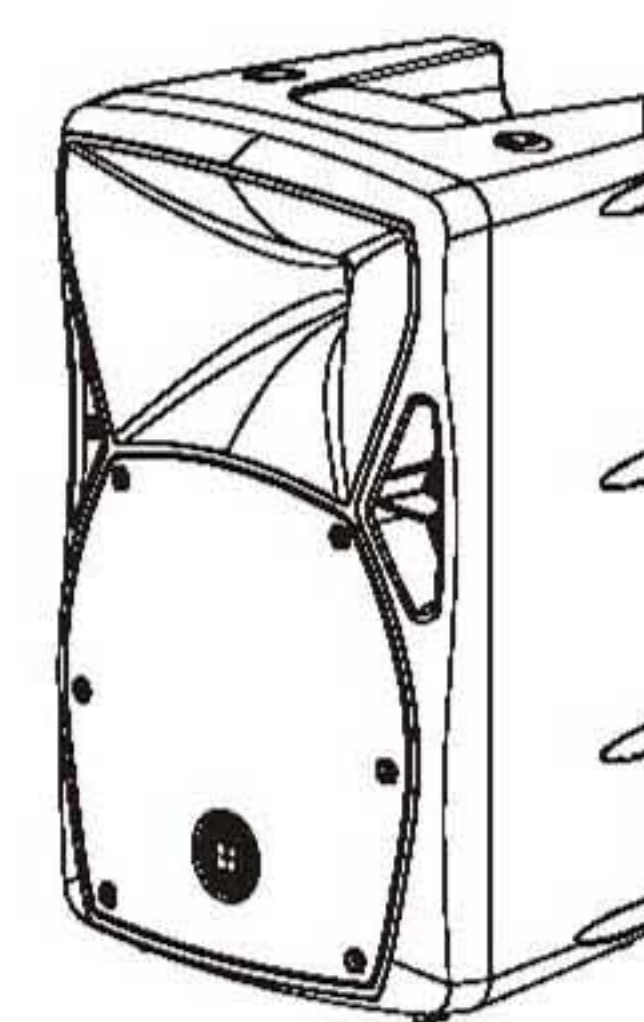


Especificaciones Técnicas

Modelo Pasivo	X8
Tipo	Gabinete 2 Vías Pasivo
Potencia Continua	100 Watts
Potencia Pico	400 Watts
Máx. SPL (1m)	113dB Máx.
Respuesta de Frecuencia	68Hz-20kHz
Corte de Crossover	2.2kHz
Protección	PTC Protección para HF
Impedancia	8 Ohmios
Transductor Bajos	8" de Bocina, con 1.5" de bobina
Transductor ALTos	Driver de 1" de Salida en Ferrita con 1" bobina
Conectores	2 x 1/4" + SPK4 (Pin 1+, Pin 1-)
Construcción Gabinete	Gabinete Plástico, trapezoidal y corte de monitor, parrilla metálica, 1 agarradera sobre la parte superior
Montaje	Un adaptador para pedestal en 36mm estándar y 4 x M10 puntos para colgar
Dimensiones (Al / An / F)	420 x 270 x 240 mm
Peso Neto	5.81 Kg / 12.8 lbs.
Volumen	1.96 CFT



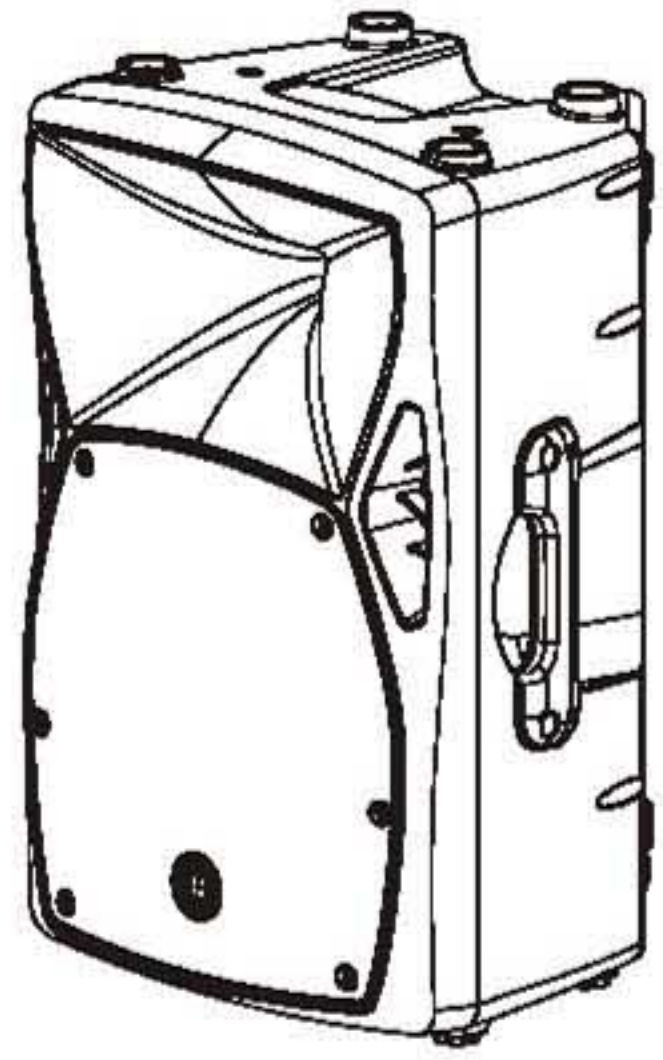
Modelo Pasivo	X10
Tipo	Gabinete 2 Vías Pasivo
Potencia Continua	120 Watts
Potencia Pico	480 Watts
Máx. SPL (1m)	116dB Máx.
Respuesta de Frecuencia	65Hz-20kHz
Corte de Crossover	2.2kHz
Protección	PTC Protección para HF
Impedancia	8 Ohmios
Transductor Bajos	10" de Bocina, con 1.5" de bobina
Transductor ALTos	Driver de 1" de Salida en Ferrita con 1" bobina
Conectores	2 x 1/4" + SPK4 (Pin 1+, Pin 1-)
Construcción Gabinete	Gabinete Plástico, trapezoidal y corte de monitor, parrilla metálica, 1 agarradera sobre la parte superior
Montaje	Un adaptador para pedestal en 36mm estándar y 4 x M10 puntos para colgar
Dimensiones (Al / An / F)	460 x 285 x 265 mm
Peso Neto	6.8 Kg / 15 lbs.
Volumen	2.36 CFT



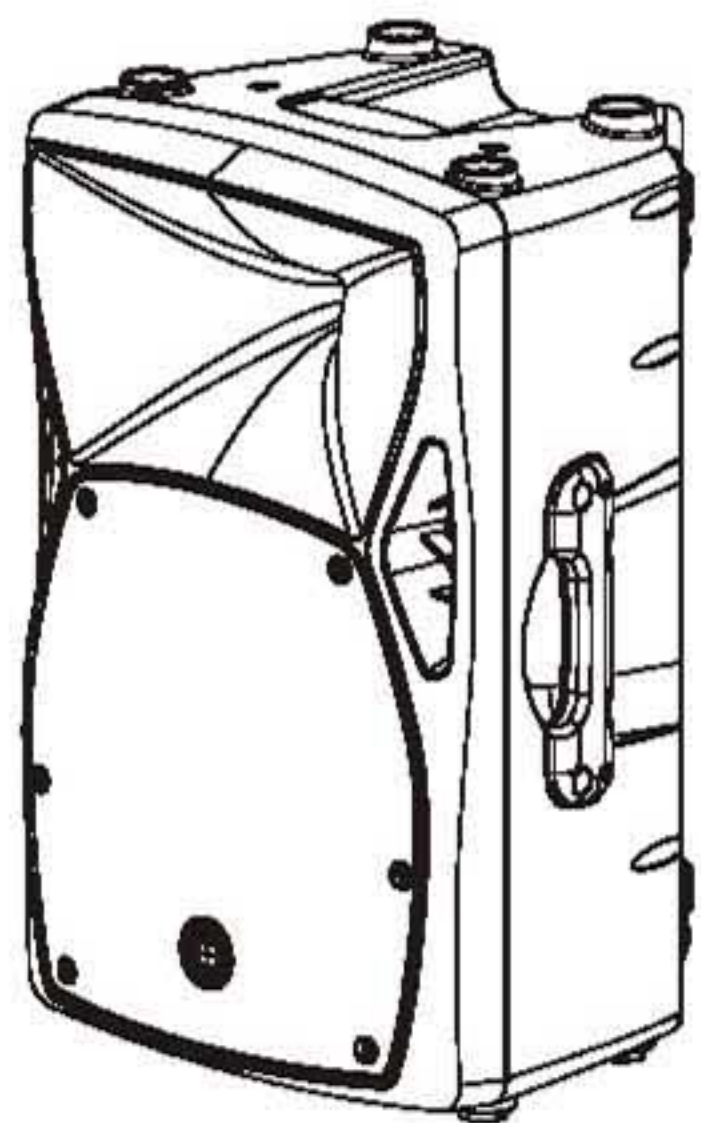


9

Especificaciones Técnicas



Modelo Pasivo	X12
Tipo	Gabinete 2 Vías Pasivo
Potencia Continua	200 Watts
Potencia Pico	800 Watts
Máx. SPL (1m)	119dB Máx.
Respuesta de Frecuencia	55Hz-20kHz
Corte de Crossover	2.5kHz
Protección	PTC Protección para HF
Impedancia	8 Ohmios
Transductor Bajos	12" de Bocina, con 2" de bobina
Transductor ALTos	Driver de 1" de Salida en Neodimio con 1" bobina
Conectores	2 x 1/4" + SPK4 (Pin 1+, Pin 1-)
Construcción Gabinete	Gabinete Plástico, trapezoidal y corte de monitor, parrilla metálica, soportes de hule y 2 agarraderas (arriba y costados)
Montaje	Un adaptador para pedestal en 36mm estándar y 4 x M10 puntos para colgar
Dimensiones (Al / An / F)	607 x 380 x 337 mm
Peso Neto	13.75 Kg / 30.31 lbs.
Volumen	4.71 CFT



Modelo Pasivo	X15
Tipo	Gabinete 2 Vías Pasivo
Potencia Continua	200 Watts
Potencia Pico	800 Watts
Máx. SPL (1m)	121dB Máx.
Respuesta de Frecuencia	50Hz-20kHz
Corte de Crossover	2.5kHz
Protección	PTC Protección para HF
Impedancia	8 Ohmios
Transductor Bajos	15" de Bocina, con 2" de bobina
Transductor ALTos	Driver de 1" de Salida en Neodimio con 1" bobina
Conectores	2 x 1/4" + SPK4 (Pin 1+, Pin 1-)
Construcción Gabinete	Gabinete Plástico, trapezoidal y corte de monitor, parrilla metálica, soportes de hule y 2 agarraderas (arriba y costados)
Montaje	Un adaptador para pedestal en 36mm estándar y 4 x M10 puntos para colgar
Dimensiones (Al / An / F)	625 x 386 x 366 mm
Peso Neto	14.86 Kg / 32.8 lbs.
Volumen	5.91 CFT



10

Garantía

Topp Pro garantiza el normal funcionamiento del producto contra cualquier defecto de fabricación y/o vicio de material, por el término de (12) meses, contados a partir de la fecha de compra por parte del usuario, comprometiéndose a reparar o cambiar, a su elección, sin cargo alguno, cualquier pieza o componente que fallare en condiciones normales de uso dentro del período mencionado.

Para que ésta garantía sea válida, el comprador original deberá presentar este certificado debidamente sellado y firmado por la casa vendedora, acompañado por la correspondiente factura de compra donde constará el modelo y número de serie del equipo adquirido.

La garantía no cubre:

- Daños ocasionados por el uso indebido del producto, reparación y/o modificación efectuados por personas no autorizadas por **Topp Pro**.
- Daños ocasionados por la conexión del equipo a otros equipos distintos de los especificados en el manual de uso, o bien por mala conexión a estos últimos.
- Daños ocasionados por tormentas eléctricas, golpes y/o transporte incorrecto.
- Daños ocasionados por excesos o caídas de tensión en la red o por conexión a redes con una tensión distinta a la requerida por la unidad.
- Daños ocasionados por la presencia de arena, ácido de pilas, agua, o cualquier elemento extraño en el interior del equipo.
- Deterioros producidos por el transcurso del tiempo, uso y/o desgaste normal de la unidad.
- Alteración o ausencia del número de serie de fábrica del equipo.

Las reparaciones solamente podrán ser llevadas a cabo el servicio técnico autorizado por **Topp Pro**, que informará acerca del plazo y demás detalles de las reparaciones a efectuarse conforme a esta garantía.

Topp Pro, reparará esta unidad en un plazo no mayor a 30 días contados a partir de la fecha de entrada de la unidad al Servicio Técnico. En aquellos casos en que debido a la particularidad del repuesto, fuera necesaria su importación, el tiempo de reparación y la viabilidad de la misma estarán sujetos a las normas vigentes para la importación de partes, en cuyo caso se informará al usuario acerca del plazo y posibilidad de reparación.

A efectos de su correcto funcionamiento, y de la validez de ésta garantía, este producto deberá ser instalado y utilizado de acuerdo a las instrucciones que se encuentran detalladas en el manual adjunto o en el envase del producto.

Esta unidad podrá presentarse para su reparación, junto a la factura de compra (o cualquier otro comprobante donde conste la fecha de compra), a su distribuidor autorizado **Topp Pro** o a un centro de servicio técnico autorizado por **Topp Pro**.

Exclusión de daños:

LA RESPONSABILIDAD DE TOPP PRO POR CUALQUIER PRODUCTO DEFECTUOSO SE LIMITA A LA REPARACIÓN O AL REEMPLAZO DEL MISMO, A OPCIÓN DE TOPP PRO. SI ELEGIMOS SUBSTITUIR EL PRODUCTO, EL REEMPLAZO PUEDE SER UNA UNIDAD REACONDICIONADA. TOPP PRO NO SERÁ RESPONSABLE POR LOS DAÑOS BASADOS EN LA INCONVENIENCIA, PÉRDIDA DE USO, BENEFICIOS PERDIDOS, AHORROS PERDIDOS, POR EL DAÑO A OTROS EQUIPO O A OTROS ARTÍCULOS EN EL SITIO DE USO, O POR NINGUN OTRO DAÑO SI ES FORTUITO, CONSECUENTE O DE OTRO TIPO, AUNQUE TOPP PRO HAYA SIDO ADVERTIDO DE LA POSIBILIDAD DE TALES DAÑOS.

Algunos países o estados no permiten la exclusión o la limitación a los daños fortuitos o consecuentes, así que la limitación antedicha puede no aplicarse a usted.

Esta garantía le da derechos legales específicos, usted puede también tener otros derechos que varían de estado a estado o de país a país.



TOPP PRO MUSIC GEAR

www.topppro.com



S E R I E S