



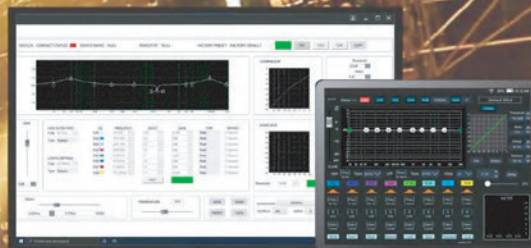
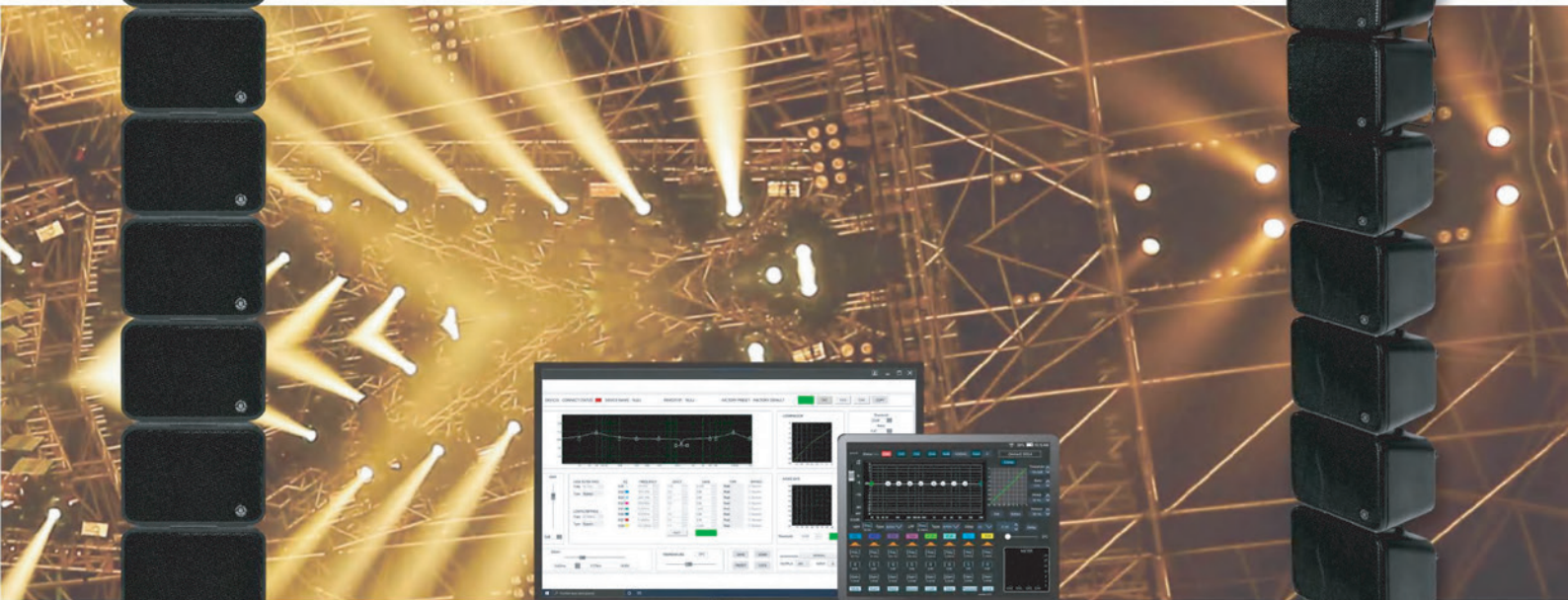
X3 Mini Array System



8 x X3
Passive Satellites
4" Woofer,
3 x 0.5" Tweeter



8 x X3
Passive Satellites
4" Woofers,
3 x 0.5" Tweeter



TD500.4DSP V2
Amplifier with DSP



MAXHEB
POWER MODULE *Optimum Headroom & SPL*



1 x SOHO S12P
Subwoofer 12" Passive



1 x SOHO S12P
Subwoofer 12" Passive



X3 Technical Specifications

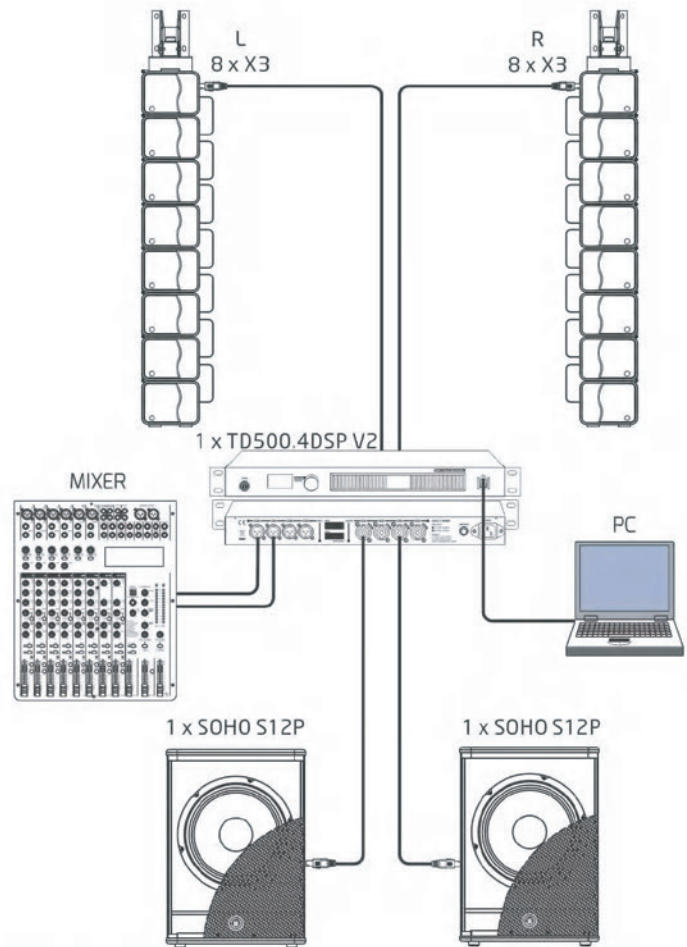
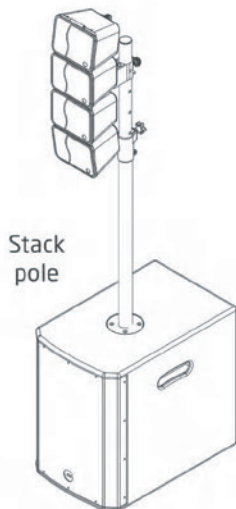
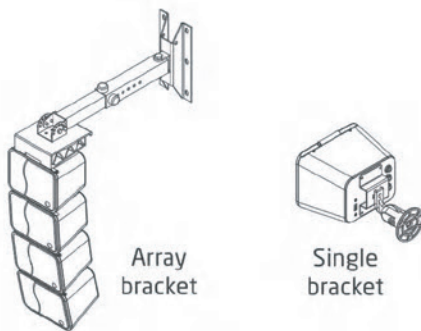


X3 Mid / High Unit

System Type	4" Two-way passive system
Output Power	30W Continuous / 60W Program
Sensitivity (1W/1m)	88dB
Maximum SPL @ 1m	103dB Max. (calculated)
Frequency Response	100Hz-20KHz (-10dB)
Impedance	8 Ohm
Transducer Low	4" Neodymium Woofer, 1" Voice Coil
Transducer High	3 x Ø13mm V.C. Neodymium Tweeter
Crossover Frequency	3.0KHz
Dispersion (-6dB)	110° Horizontal, 20° Vertical (one module)
Attachment Points	Adjustable Rigging System & Vertical Splay in 0°- 4° - 8° - 12° Increments from 0°- 12°
Connectors	Parallel or Series Ø6.3mm Socket / Selection Switch
Enclosure Construction	Aluminum die casting enclosure, Resistant Black Paint, Steel Grille with foam, Steel Stirrup Material, 3 Flying Points
Dimensions (HxWxD)	141 x 170 x 162 mm / 5.55" x 6.69" x 6.38"
Net Weight	1.46 Kg / 3.22 lbs

SOHO S12P

System Type	12" Passive Subwoofer Speaker
Output Power	300W PROGRAM / 125W PEAK
Sensitivity	122dB Continuous / 125dB Peak
Frequency Response	45Hz-2.8KHz (-10dB)
Impedance	4 Ohm
Transducer Low	12" Ferrite Woofer, 2.55" Voice Coil
Connectors	4 Pin Terminal Block and 2 x NL-4 Speakon Parallel Socket
Enclosure Construction	Plywood Cabinet, Resistant Black
Mounting	One metal standard Pole-mount
Dimensions (HxWxD)	500 x 350 x 542 mm / 19.69" x 13.78" x 21.34"
Net Weight	20.10 Kg / 44.31 lbs



www.topppro.com



WWW.SISTEMAMT.IT



supporto@musictechnology.it



+39 071 7926753