



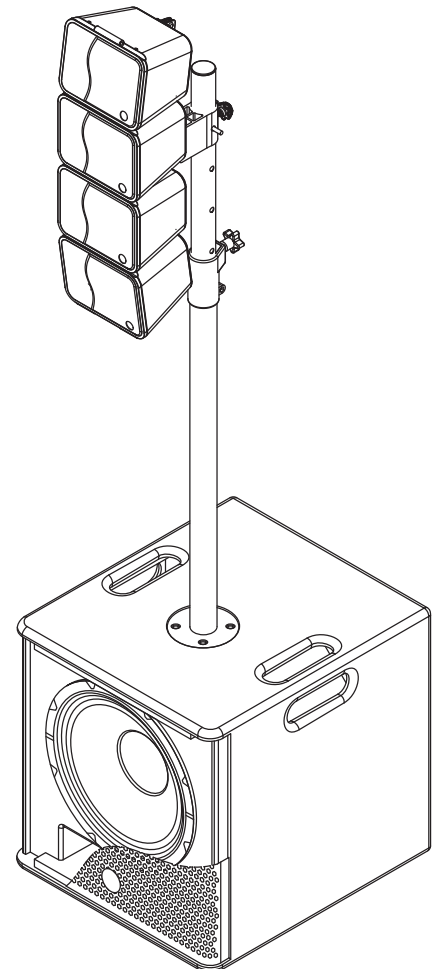
# SOHO X

S E R I E S

## *User's Manual*

4" Two-way passive system

---



## Important Safety Instructions



TO REDUCE THE RISK OF ELECTRIC SHOCK PLEASE DO NOT REMOVE THE COVER OR THE BACK PANEL OF THIS EQUIPMENT. THERE ARE NO PARTS NEEDED BY USER INSIDE THE EQUIPMENT. FOR SERVICE, PLEASE CONTACT QUALIFIED SERVICE CENTERS.



This symbol, wherever used, alerts you to the presence of un-insulated and dangerous voltages in the product enclosure. These are voltages that may be sufficient to constitute the risk of electric shock or death.



This symbol, wherever used, alerts you to important operating and maintenance instructions. Please read.



Protective Ground Terminal



AC mains (Alternating Current)




Hazardous Live Terminal

ON: Denotes the product is turned on.

OFF: Denotes the product is turned off.

### CAUTION

Describes precautions that should be observed to prevent damage to the product.

1. Read this Manual carefully before operation.
2. Keep this Manual in a safe place.
3. Be aware of all warnings reported with this symbol. 
4. Keep this Equipment away from water and moisture.
5. Clean it only with dry cloth. Do not use solvent or other chemicals.
6. Do not damp or cover any cooling opening. Install the equipment only in accordance with the Manufacturer's instructions.
7. Power Cords are designed for your safety. Do not remove Ground connections! If the plug does not fit your AC outlet, seek advice from a qualified electrician. Protect the power cord and plug from any physical stress to avoid risk of electric shock. Do not place heavy objects on the power. This could cause electric shock or fire.
8. Unplug this equipment when unused for long periods of time or during a storm.
9. Refer all service to qualified service personnel only. Do not perform any servicing other than those instructions contained within the User's Manual.
10. To prevent fire and damage to the product, use only the recommended fuse type as indicated in this manual. Do not short-circuit the fuse holder.

### WARNING

To reduce the risk of electric shock and fire, do not expose this equipment to moisture or rain.



Dispose of this product should not be placed in municipal waste and should be separate collection.

Before replacing the fuse, make sure that the product is OFF and disconnected from the AC outlet.

11. Move this Equipment only with a cart, stand, tripod, or bracket, specified by the manufacturer, or sold with the Equipment. When a cart is used, use caution when moving the cart/equipment combination to avoid possible injury from tip-over.



12. Permanent hearing loss may be caused by exposure to extremely high noise levels. The US. Government's Occupational Safety and Health Administration (OSHA) has specified the permissible exposure to noise level. These are shown in the following chart:

Hours x day	SPL	Example
8	90	Small gig
6	92	Train
4	95	Subway train
3	97	High level desktop monitors
2	100	Classic music concert
1.5	102	
1	105	
0.5	110	
0,25 or less	115	Rock Concert

According to OSHA, an exposure to high SPL in excess of these limits may result in the loss of hearing. To avoid the potential damage of hearing, it is recommended that Personnel exposed to equipment capable of generating high SPL use hearing protection while such equipment is under operation.

The apparatus shall be connected to a mains socket outlet with a protective earthing connection.

The mains plug or an appliance coupler is used as the disconnect device, the disconnect device shall remain readily operable.

## Table of Contents

---

1. INTRODUCTION .....	4
2. INSTALLATION TIPS .....	4
3. USEFULL DATA .....	4
4. QUICK START .....	5
5. SATELLITE LAYOUT OF THE CONNECTOR PANEL .....	6
6. SATELLITE BACK PANEL DESCRIPTION .....	8
7. SATELLITE DOWN CONNECTION .....	9
8. SATELLITE UP CONNECTION .....	10
9. Subwoofer Back Panel Description .....	11
10. Technical Specifications .....	12
11. System Connection Plate .....	14
12. Wire Connections .....	17
13. Guarantee .....	18
14. Notes .....	19

Don't forget to visit our website at [www.topppro.com](http://www.topppro.com)  
for more information about this and other Topp Pro products.

# 1

## Introduction

---

Thank you for choosing **TOPP PRO**. The new **TOPP PRO ARRAY SERIES** cabinets have been designed to provide a cost effective high grade solution while maintaining high quality cabinet construction and optimum components.

The array series, can be used for all types of applications including, but not limited to, churches, conference centers and discos.

The woofer and neodymium driver combination provides excellent performance rivaling those cabinets costing much more.

Our Professional Audio Products are designed and tested by a highly qualified engineering team with more than 20 years of experience. Great care is placed in delivering products with excellent performance, specifications and dependable reliability. Also great emphasis is placed in creating and bringing to market products that can fill multiple applications and also offer customers exceptional value.

# 2

## Installation Tips

---

- Speakers should be placed in a position that allows for unobstructed sound projection. In many instances it is beneficial for speakers to elevate on tripod stands to achieve maximum dispersion and reach. Consider TOPP PRO speaker stand or equivalent to raise speakers.
- Using quality cables ensure best possible sound. Consider using TOPP PRO 16 or 14 gauge cables or equivalent.
- For best results match the speakers to a good amplifier that matches the wattage and impedance of your speakers. Proper amplification power results in good quality audio and longer component life. Check out.
- Avoid pointing microphone directly at an amplified speaker otherwise could cause feedback possible damaging speaker components and your hearing.

**Enjoy the sound!**

# 3

## Usefull Data

---

Please write your serial number here for future reference.

Serial Number:
----------------

Date of Purchase:
-------------------

Purchased at:
---------------

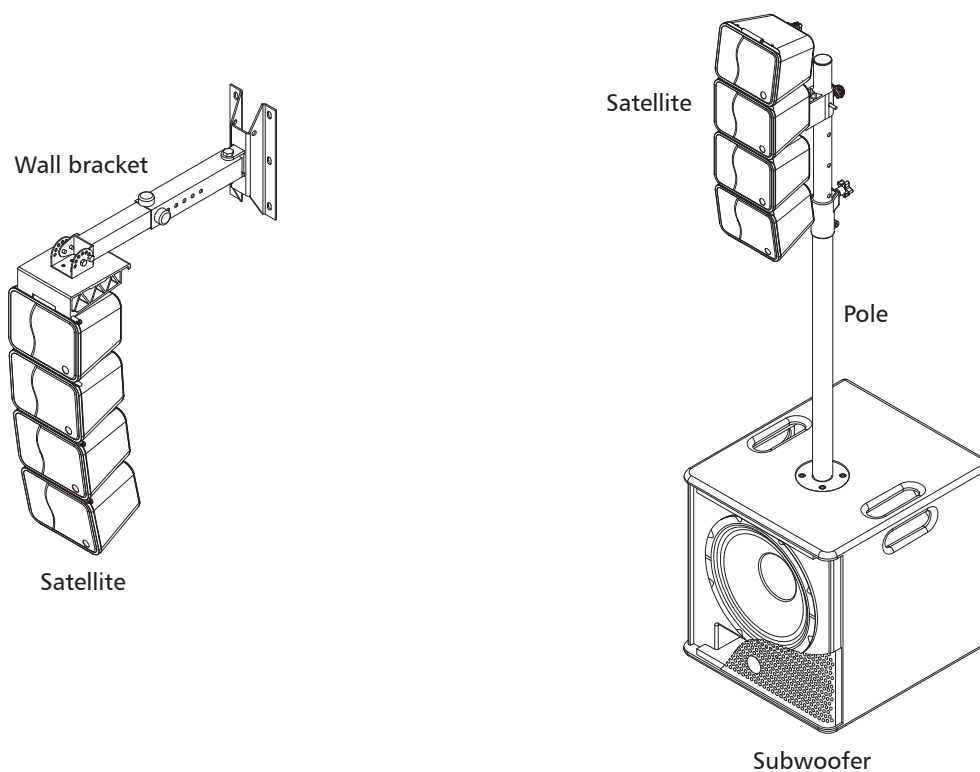


## Quick Start

When mounting a speaker onto any stand, always ensure that the stand is on a flat, level surface, with the legs fully extended. Be sure to check that the maximum load weight for the stands is greater than the weight of the ARRAY SYSTEMS loudspeaker. Never use a stand with a maximum load weight lower than the speaker. Do not attempt to mount more than one speaker on a stand at one time.

The ARRAY SYSTEMS loudspeakers are heavy. It is recommended that a second person help place the cabinet on a stand.

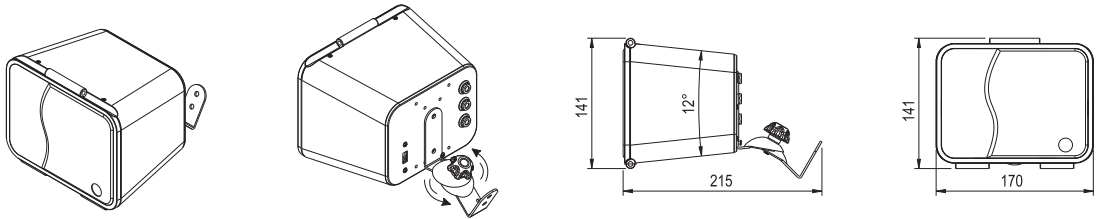
When the speaker is placed on a stand, always check the integrity and center of gravity of the system. If the speaker can be tipped easily, or the pole is swaying, it is recommended that you lower the height of the stand. Position the stand and route cables so that the performers and the audience cannot tip over or trip on the system.



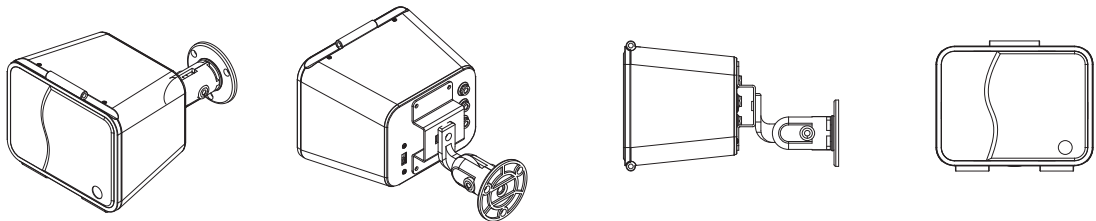
# 5

## Satellite Layout of The Connector Panel

### One module



### \* Option wall bracket



The direction of the bracket can be adjusted from any side.

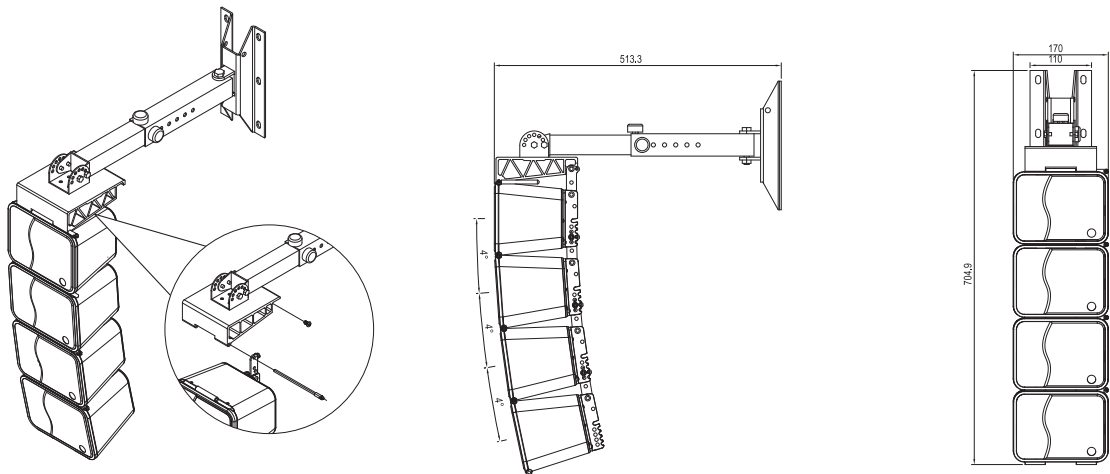
### More module

#### Versatile mounting options

Compared to many other speaker designs, the satellite Series is remarkably easy to install in several ways. It can be hung easily with chains, strong wires and cables using the accessory brackets.

There are also options for hanging with a pre-install frame by itself or configured with a subwoofer.

There are also other options including ceiling and wall brackets as well as an adapter for use with a dedicated stand.

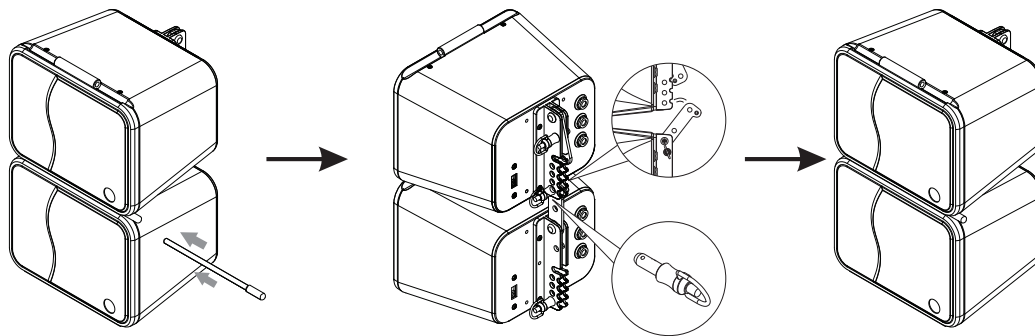


The bracket support wall and ceiling mounting with most 8 modules .  
The direction and angle can be adjusted from any side.

## Satellite Layout of The Connector Panel

### Connect Manner

- 1 Align two units to make the latch hole in the same line. Insert the latch and lock the screw tightly.
- 2 Adjust the angles of the unit (four angles: 0°-4°-8°-12° can be adjusted), insert the rear connecting pin into the related slot and put the latch into the hole.

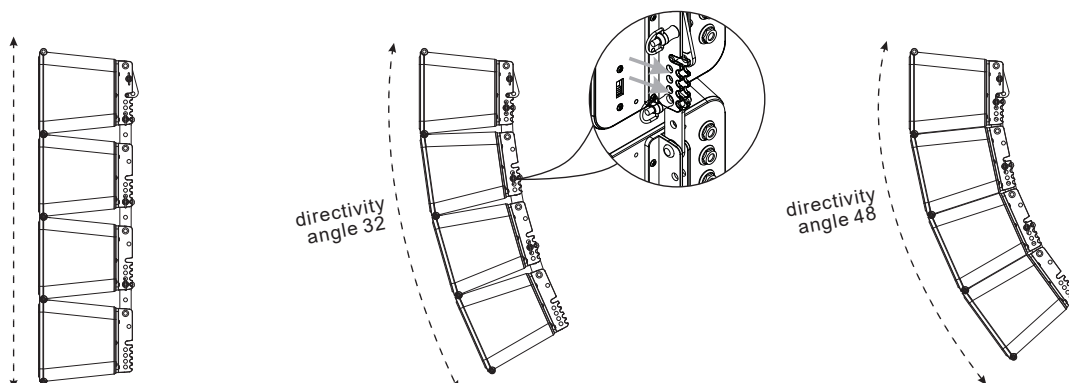


You can insert each three different holes when connecting the rear bracket. You can obtain different sound by different angles.

### Adjustable sound dispersion(for example four pcs)

A system in configured by vertically stacking four speaker modules with a total driver complement of four woofers and 12 tweeters positioned along the baffle surface, this configuration allows the variable directivity control and low-frequency dispersion control comparable to using a large constant-directivity horn speaker. A choice of three directivity angles--0, 4, 8 and 12 degrees can be employed as needed.

For instance, a specific directivity angle, or each module can have its directivity independently set for a specific coverage requirement. When two or multiple modules are connected to configure an arc, they effectively function as an immense single speaker controlling directivity for considerably lower frequencies. As a result, public address functions demonstrate optimal intelligibility even in environments with long reverb times.

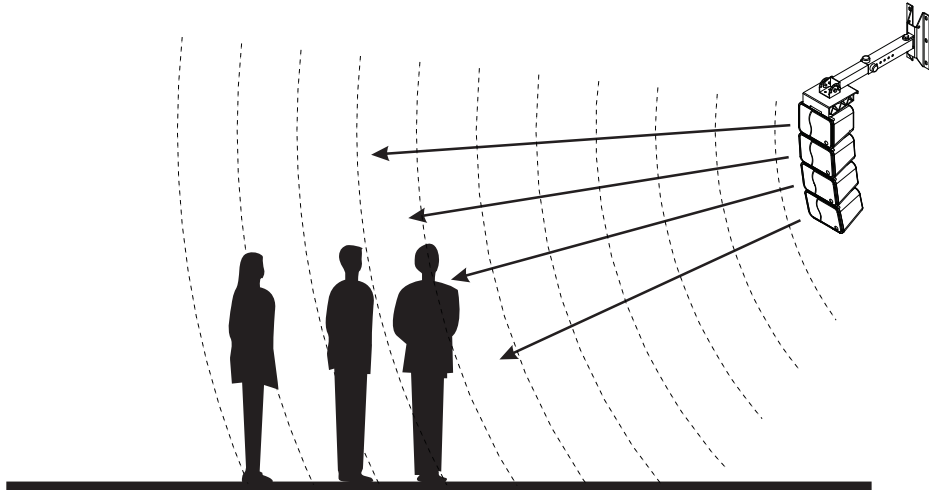


# 5

## Satellite Layout of The Connector Panel

### Minimal reflective effects

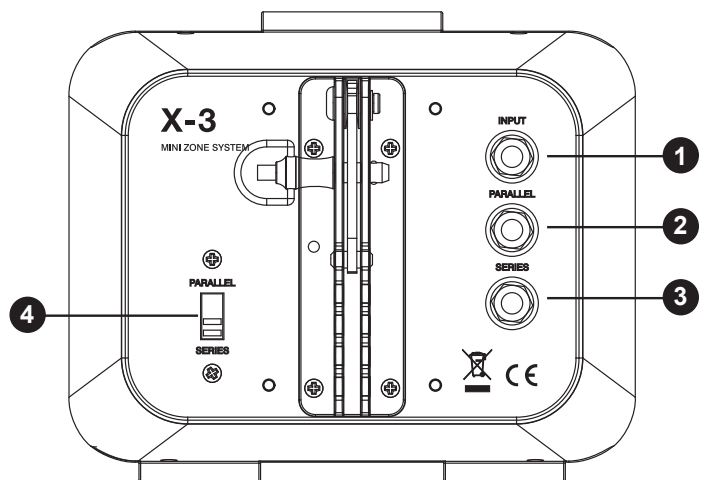
Whether mounted on the wall or ceiling, the satellite is remarkably free from the comb filter and interference effects often encountered with other speaker designs. It can therefore produce more low frequency output even when mounted on the wall or ceiling.



# 6

## Satellite Back Panel Description

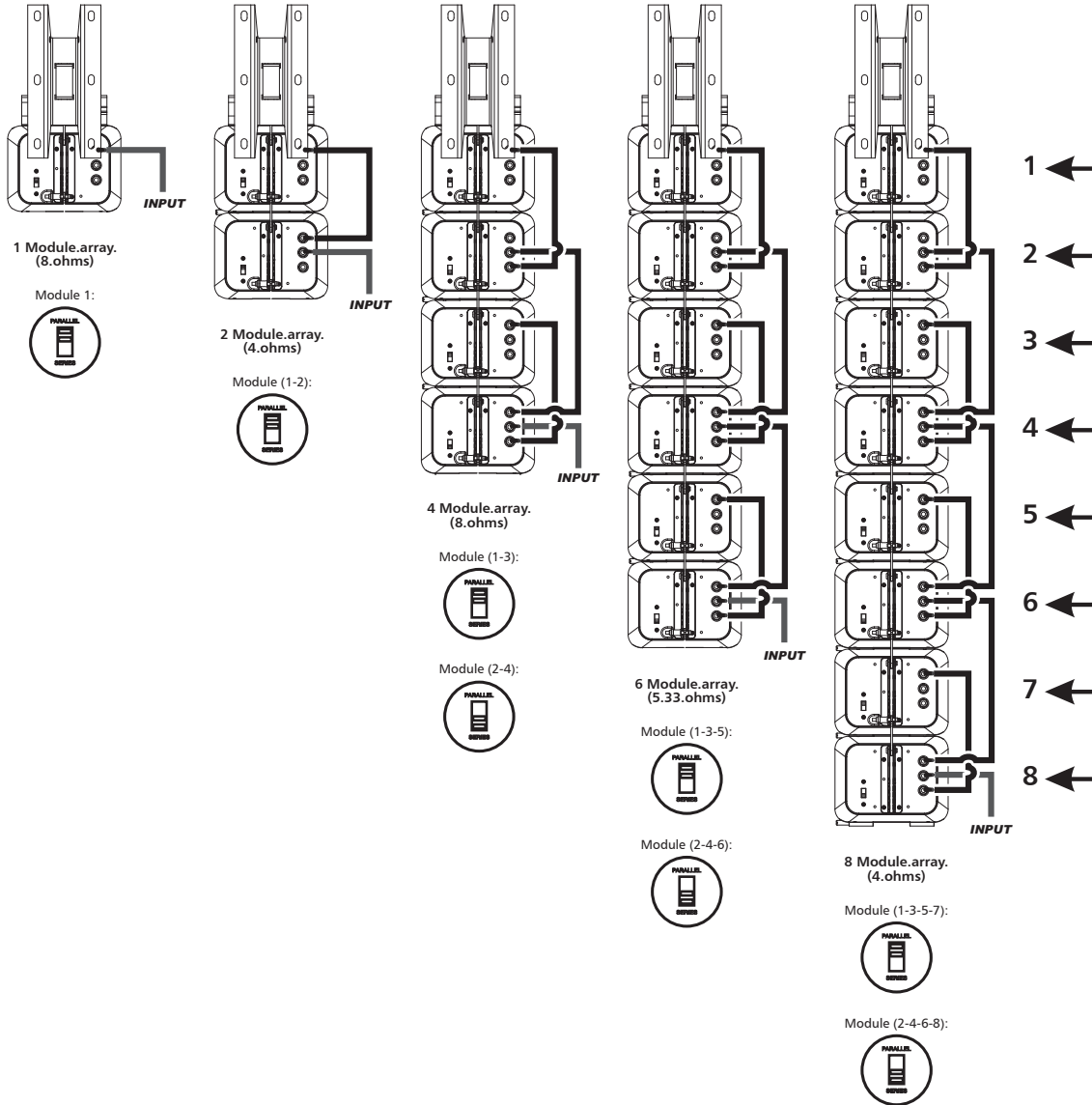
- 1) INPUT: Receive the power coming from an external power amplifier.
- 2) PARALLEL: power output for another product to parallel, parallel and input are link.
- 3) SERIES: Power output for another satellite speaker to series.
- 4) Slide Switch: Parallel or Series Transform Switch



- a. set the slide switch at "parallel" position to make the product in parallel.
- b. Set the switch at "series" position to make products in series, but the slide switch of the last product has to set at "parallel" position.

## Satellite Down Connection

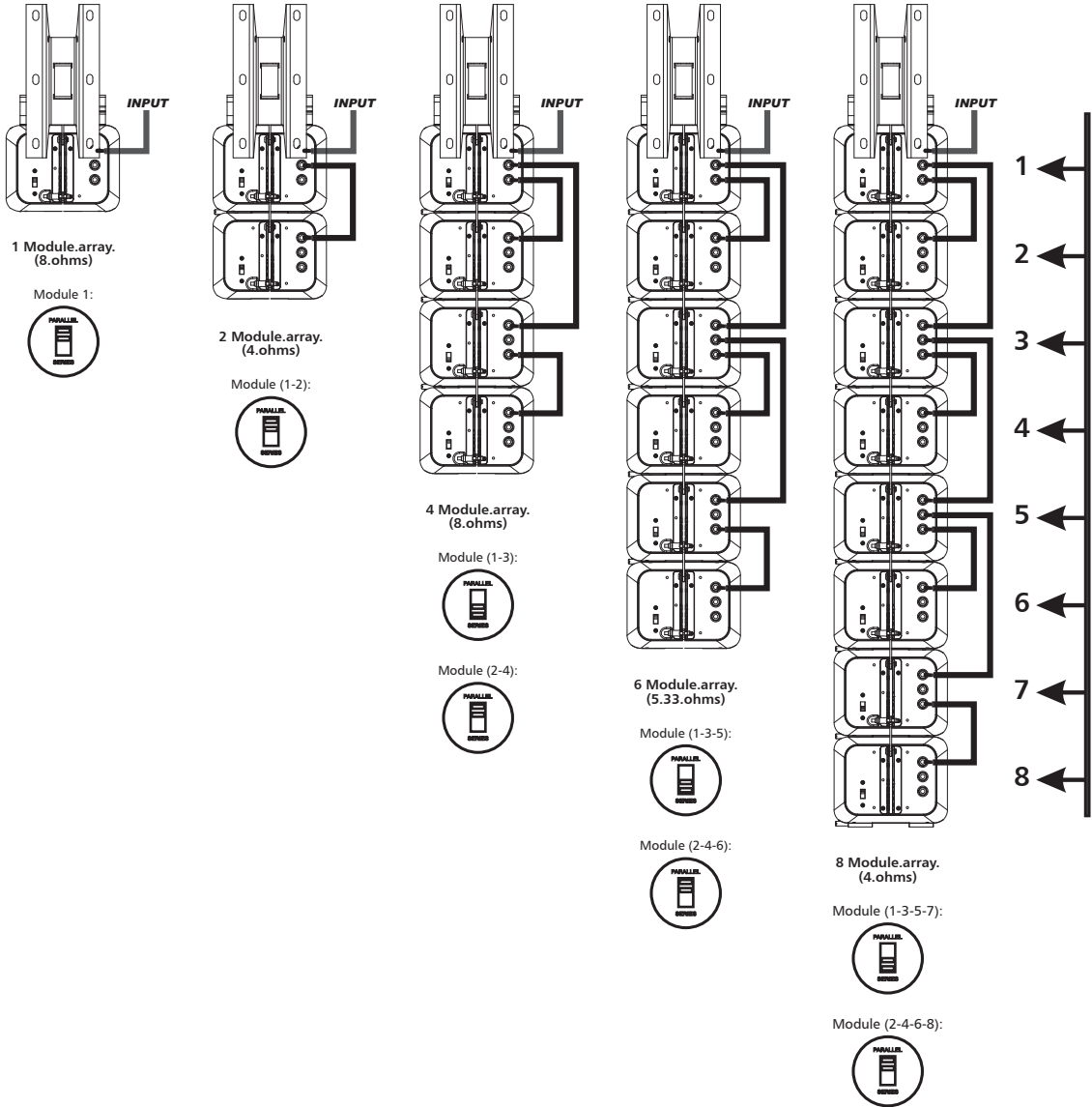
7



- Power output for satellite speaker down connection

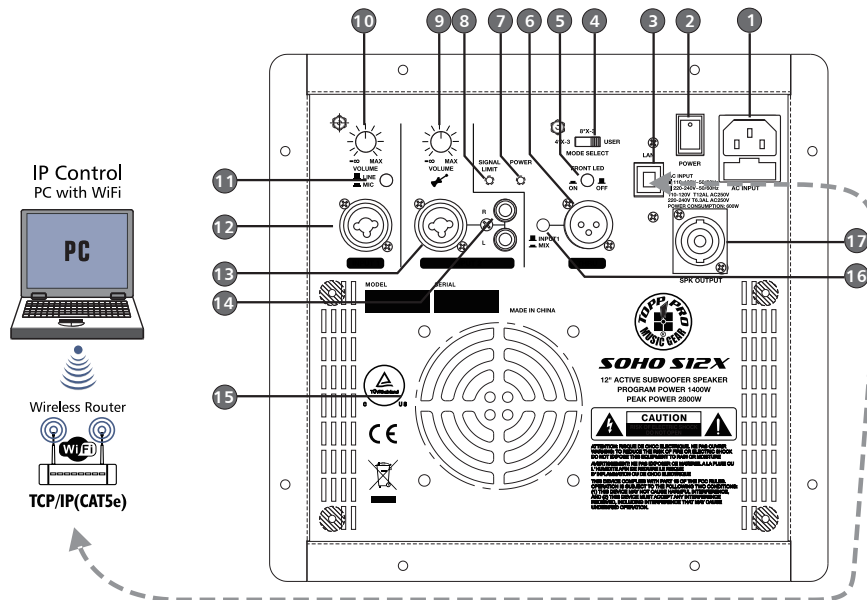
# 8

## Satellite Up Connection



- Power output for satellite speaker UP connection

## Subwoofer Back Panel Description



- (1) AC POWER SOCKET WITH MAIN FUSE.
- (2) ON-OFF MAIN POWER SWITCH.
- (3) IP CONTROL
- (4) Preset Selector: 4\*X-3 / 8\*X-3 / User (Custom Sound)
  - 4\*X-3: Allow use this subwoofer with the 4 speaker satellite. Defaults Factory preset
  - 8\*X-3: Allow use this subwoofer with the 8 speaker satellite. Defaults Factory preset
  - User: Adjusts the Equalization according to the convenience of the user, depending on the acoustics of the place and the implementation of the system. This setting can be performed by a PC via LAN port, using a router for internet. This "preset" comes from factory set with the parameters of the 4\*X-3, after making the necessary changes you can be save into the system.
- (5) SWITCH FOR FRONT LED ON OR OFF
- (6) THRU OUTPUT ON XLR CONNECTOR
 

This is a male XLR-type connector that produces exactly the same signal that is connected to the main input jack or a mix of input1 and input2.
- (7) POWER. GREEN LED, INDICATE ON STATUS.
- (8) SIGNAL / LIMIT, RED LED, INDICATE ON STATUS.
- (9) Input 2 Volume Control
- (10) Input 1 Volume Control
- (11) LINE / MIC SWITCH(CHANNEL INPUT1 ONLY)
- (12) XLR AND 1/4" COMBO INPUT1
 

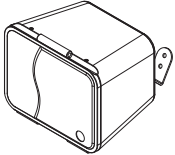
INPUT1 may accept a MIC or line-level signal via XLR or line-level signal via TRS 1/4" cable. Be aware of the position of the MIC / line switch (11).
- (13) XLR AND 1/4" COMBO INPUT2
 

INPUT2 may accept Hi-Z sources (such as guitars) via the TRS 1/4" input, or line-level signal via XLR.

NEVER connect the output of an amplifier directly to the input of the loudspeaker. This could damage the input circuitry of the active loudspeaker.
- (14) RCA INPUTS(INPUT2 ONLY).
- (15) CONVECTION FAN
- (16) INPUT1 / MIX SWITCH (THRU OUTPUT)
 

This switch allows you to choose whether only the input1 signal is sent out to the next loudspeaker(switch out-input1) or mix of the input1 and input2 signals are sent out to the next loudspeaker(switch in-Mix).
- (17) SPK connector to satellite: Use pins + 1 positive / -1 negative

# 10 Technical Specifications



Model	<b>X-3 (one module )</b>
System Type	4" Two-way passive system
Rated Power	30W Continuous, 60W Program, 90W Peak
Sensitivity (1W/1M)	88dB Continuous / 91dB
Frequency Response	100Hz-20 KHz (-10dB)
Crossover Frequency	3.0kHz passive
Transducer Low	4" Neodymium Woofer, 1" Voice Coil 8 ohms
Transducer High	3 x 0.5" soft dome tweeter / 16 ohms
Dispersion(-6dB)	110° Horizontal, 20° Vertical ( one module)
Maximum SPL @ 1m	103dB Max.(calculated)
Impedance	8 ohms
Enclosure	Aluminum Alloy Cabinet
Finish	Resistant Black Paint
Connectors	Parallel or Series Ø6.3mm Socket / Selection Switch
Fittings information	Steel Stirrup Material , 3Flying Points M6, threaded sockets (3 in top)
Dimensions (HxWxD)	(W)141mm*(H)170mm*(D)162mm / (W)5.55" * (H)6.69" * (D)6.38"
Net Weight	1.46kg / 3.21 lbs

**satellite Line Array:**

Indicates number of amp ch \$ impedance (per ch)  
Multiple modules connected in series (+) & parallel (//)  
See patch sketches in "Powering your mini line array."

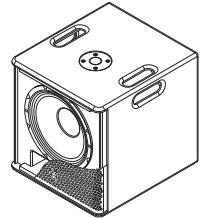
Single channel configuration	Array Power Rating(AES)
1 module array 1ch 8 ohms	30W
2 module array 1ch 4 ohms (2//)	60W
4 module array 1ch 8 ohms (1+2)//(3+4)	120W
6 module array 1ch 5.33 ohms (1+2)//(3+4)//(5+6)	180W
8 module array 1ch 4 ohms (1+2)//(3+4)//(5+6)//(7+8)	240W



## Technical Specifications

10

Active Subwoofer	<b>SOHO S12X</b>
Subwoofer	1 x 12", $\phi$ 320mm-2.5" Voice Coin
Frequency response -6 dB	40Hz-500Hz
Total amplifier power	700 W Continuous /1400 W Program/2800 W Peak Class-D@4ohms
Amplifier, subwoofer	350 W Continuous /700 W Program/1400 W Peak Class-D@4ohms
Amplifier, satellite / mid! high unit	350 W Continuous /700 W Program/1400 W Peak Class-D@4ohms
Axial sensitivity 1W@1m	96dB / 130dB Max
Electronic Protections	Thermal DC / Overload / Digital Compressor / Limit
Cooling	Temperature-controlled fan
Connections	Input: 2 Combo - XLR 1/4", 1 RCA in L&R Output: SPK Satellite / XLR Link
External Controls	Volume Control / Switch for Input sens. / Swtich for mode selector / Power ON with Green LED / Limiter with Red LED / Ground Lift / IP Control
Power Supply	115V / 230V Switchable
Enclosure Construction	Plywood cabinet, resistant black paint, metal grille with foam, rubber feet, handles
Mounting	one metal standard pole-mount
Dimensions (W x H x D)	430 x 450 x 480 mm (16.93" x 17.72" x 18.90")
Net Weight	20.51 kg / 45.22 lbs.



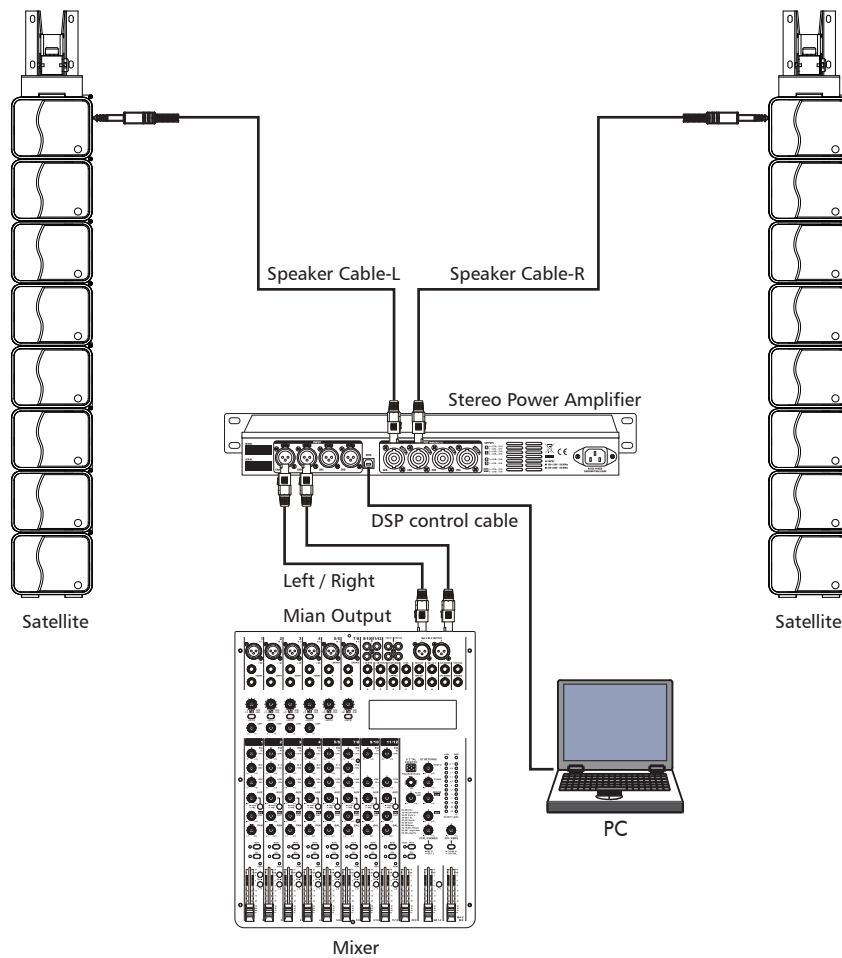
# 11

## System Connection Plate

Make your initial connections with all the equipment powered off, and ensure that all the main volume controls are turned completely down.

### For Passive Full-range Speaker Cabinet

- 1) Connect one side of the speaker cable to the Output CH A / CH B to Binding Post of your stereo power amplifier and the other side to the Input socket of your speaker cabinet.
- 2) Complete other connections as illustrated.
- 3) Turn up your mixer first, then the stereo power amplifier.
- 4) Turn up the volume controls of your amplifier to about 70%.
- 5) Use PFL function to get the proper input level for the mixer, and adjust the Main Mix Level control to manipulate the output level.
- 6) After using, turn off your stereo power amplifier first, then the mixer.

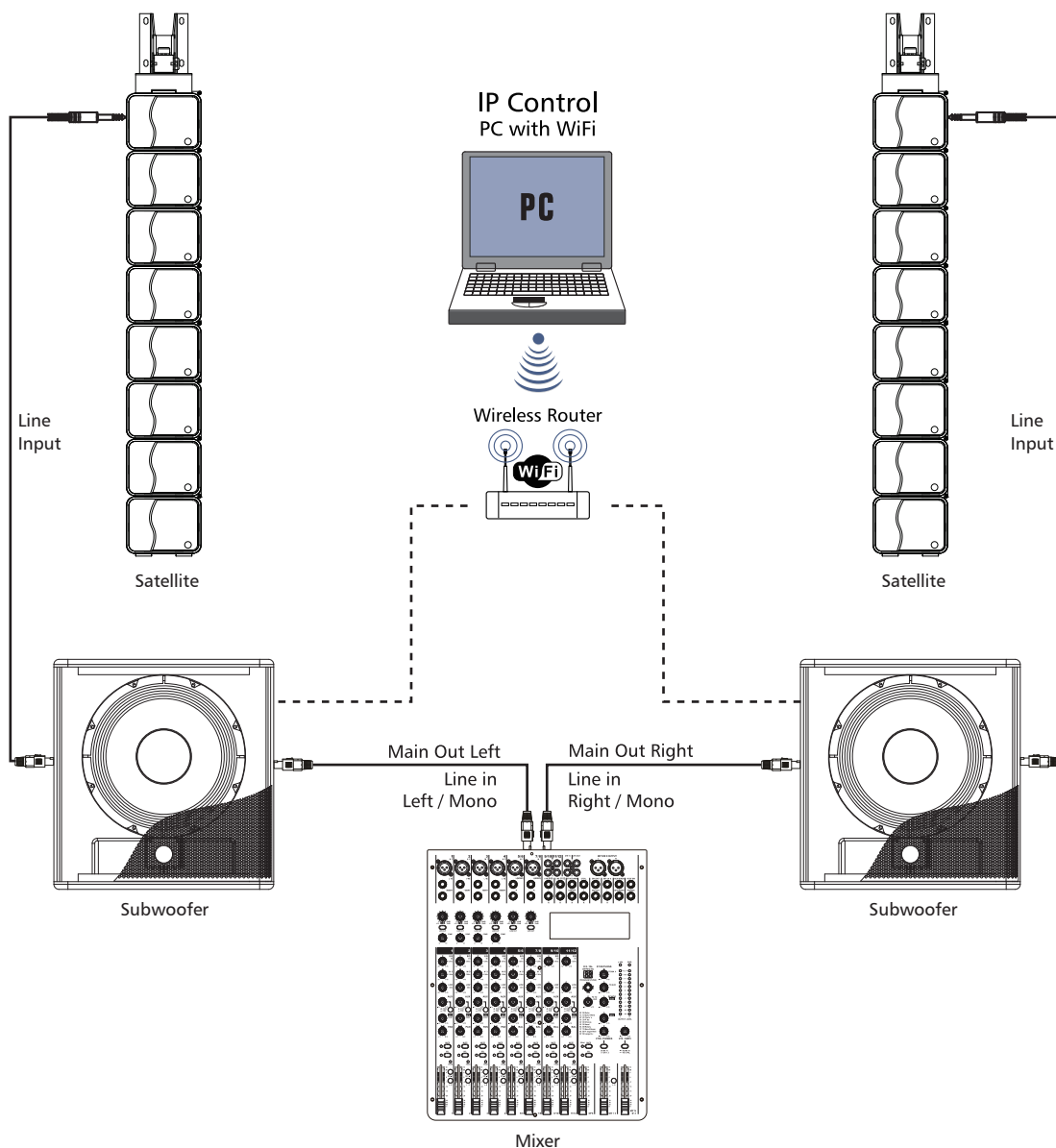


## System Connection Plate

Make your initial connections with all the equipment powered off, and ensure that all the main volume controls are turned completely down.

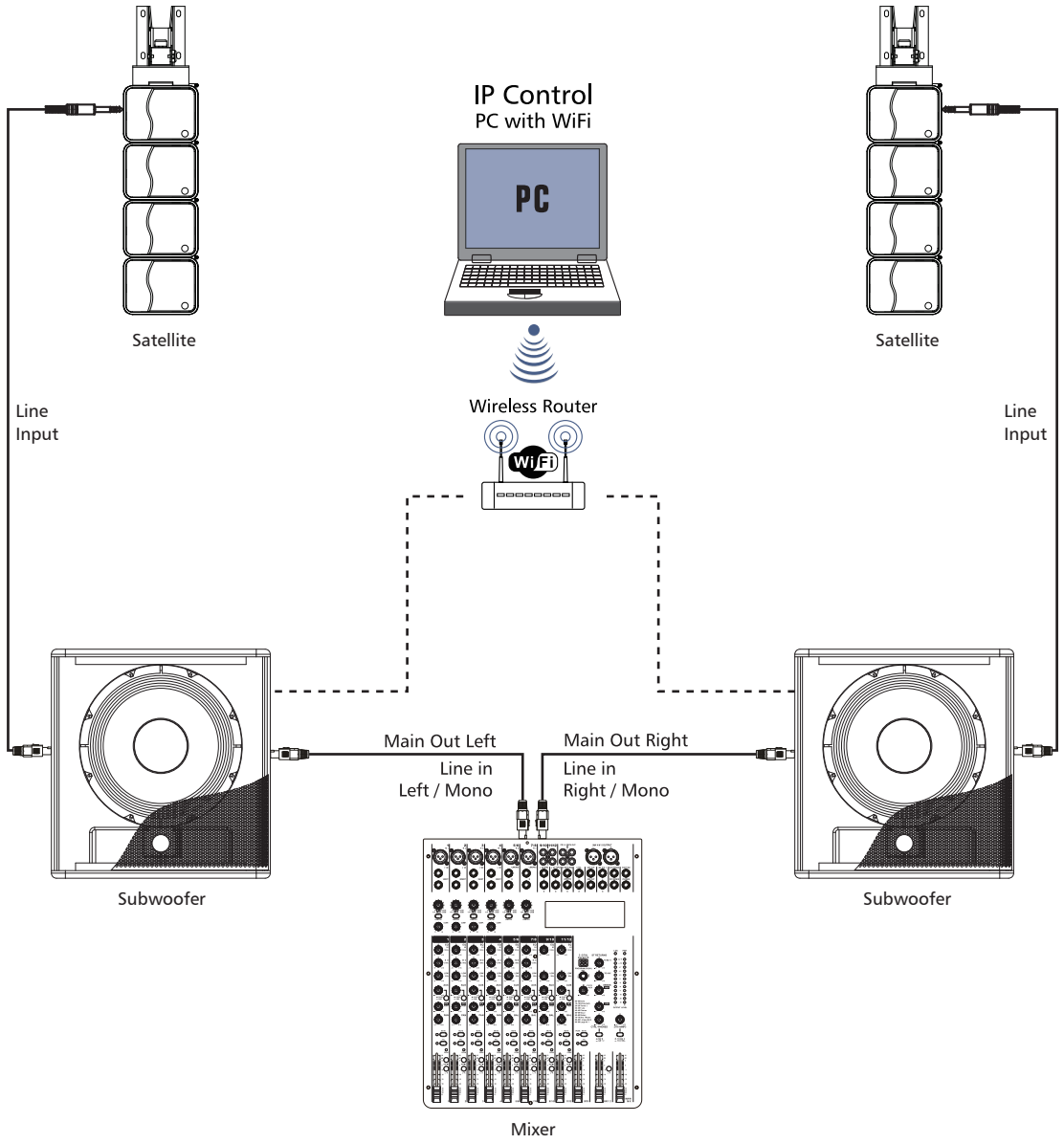
### Two Active Subwoofers & Two Passive Satellite Speakers

- 1) Connect one side of the signal cable to the output of your mixer (left / right) with a TRS or XLR connector and the other side of the cable to the line input (combo) in the active subwoofer (with a TRS to XLR connector). Then connect the speakon cable from the output of power in the Subwoofer to the X3 satellites input.
- 2) Complete other connections as illustrated.
- 3) Turn on your mixer first, then the stereo power amplifier.
- 4) Turn up the volume controls of your amplifier to about 70%.
- 5) Use PFL function to get the proper input level for the mixer, and adjust the Main Mix Level control to manipulate the output level.
- 6) After using, turn off your stereo power amplifier first, then the mixer.



# 11

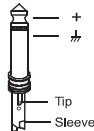
## System Connection Plate



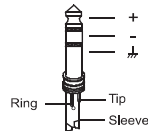
## Wire Connections

Either the 1/4" TRS phone jack or XLR connector can be wired in balanced and unbalanced modes, which will be determined by the actual application status, please wire your system as the following wiring examples:

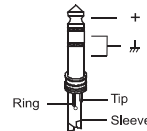
### For 1/4" Phone jack



TS Type Unbalanced

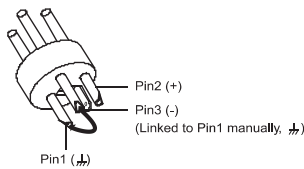


TRS Type Balanced

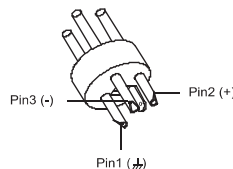


TRS Type Unbalanced

### For XLR connector



XLR Type Unbalanced



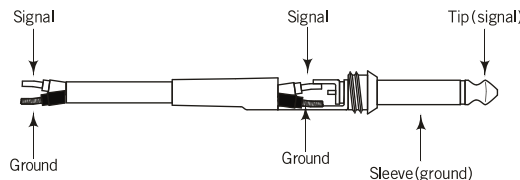
XLR Type Balanced

The series speaker connections are made via the rear panel 1/4" and/or Speakon connectors for easy interface with industry standard cables. Standard, unshielded speaker wire (available at your local pro audio or music store), with either 1/4" phone or Speakon connectors and wire gauge of 12-14 AWG is recommended.

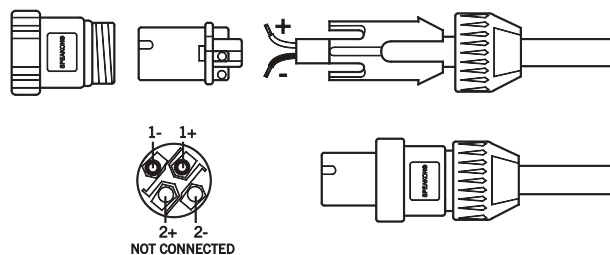
If your amplifier uses binding posts you can use speaker cables with banana connectors, but be sure to pay attention to the +/- polarity when making the connections. Make sure that the + terminal of the speaker, or banana connector, is connected to the + terminal of the power amplifier, and that the - terminal of the speaker, or banana connector, is connected to the - terminal of the power amplifier. It is important that your PA system is connected in-phase, otherwise you will not have the proper low-end response and stereo image.

Use the following diagrams below to ensure proper connections when wiring your system:

### Unbalanced 1/4" Connector



### Speakon® Wiring Guide



# 13

## Guarantee

---

**Topp Pro** guarantees the normal operation of the product against any defect of manufacture and/or vice of material, by the term of (12) months, counted as of the date of purchase on the part of the user, committing itself to repair or to change, to its election, without position some, any piece or component that will fail in normal conditions of use within the mentioned period.

This guarantee is valid if the original buyer will have to present/display this certificate properly sealed and signed by the selling house, accompanied by the corresponding invoice of purchase where it consisted the model and serial number of the acquired equipment.

The guarantee does not cover:

- Damages caused by the illegal use of the product, repair and/or nonauthorized modification conducted by people by **Topp Pro**.
- Damages caused by the connection of the equipment to other equipment different from the specified ones in the manual of use, or by bad connection to these last ones.
- Damages caused by electrical storms, blows and/or incorrect transport.
- Damages caused by excesses or falls of tension in the network or by connection to networks with a tension different from the required one by the unit.
- Damages caused by the presence of sand, acid of batteries, water, or any strange element inside the equipment.
- Deteriorations produced by the course of the time, use and/or normal wear of the unit.
- Alteration or absence of the serial number of factory of the equipment.

The repairs could only be carried out the authorized technical service by **Topp Pro**, that will inform about the term and other details into the repairs to take place according to this guarantee.

**Topp Pro**, will repair this unit in counted a term nongreater to 30 days as of the date of entrance of the unit to the Technical Service. In those cases in that due to the particularity of the spare part, outside necessary their import, the repair time and the viability of the same one will be subject to the effective norms for the import of parts, in which case one will inquire to the user about the term and possibility into repair.

With the object of its correct operation, and of the validity of this one guarantee, this product will have to be installed and to be used according to the instructions that are detailed in the manual associate or the package of the product.

This unit will be able to appear for its repair, next to the invoice of purchase (or any other proof where the date of purchase consists), to its authorized distributor **Topp Pro** or an authorized technical center on watch by **Topp Pro**.

### Exclusion of damages:

**THE RESPONSABILITY OF TOPP PRO BY ANY DEFECTIVE PRODUCT IS LIMITED THE REPAIR OR THE REPLACEMENT OF HE HIMSELF, TO TOPP OPTION PRO. IF WE CHOSE TO REPLACE THE PRODUCT, THE REPLACEMENT CAN BE A RECONDITIONATED UNIT. TOPP PRO WILL NOT BE RESPONSIBLE BY THE DAMAGES BASED ON THE LOST, INCONVENIENCE, LOSS OF USE, BENEFITS, LOST SAVINGS, BY THE DAMAGE TO OTHER EQUIPMENT OR OTHER ARTICLES IN THE USE SITE, OR BY ANY OTHER DAMAGE IF HE IS FORTUITOUS, CONSEQUENT OR OF ANOTHER TYPE, ALTHOUGH TOPP PRO HAS BEEN NOTICED OF THE POSSIBILITY OF SUCH DAMAGES.**

Some states do not allow to the exclusion or the limitation to the fortuitous or consequent damages, so the aforesaid limitation can not be applied to you.

This guarantee gives specific legal rights him, you you can also have other right that varies of state to state.



***TOPP PRO MUSIC GEAR***

*[www.topppro.com](http://www.topppro.com)*

***SOHO X***  
***S E R I E S***

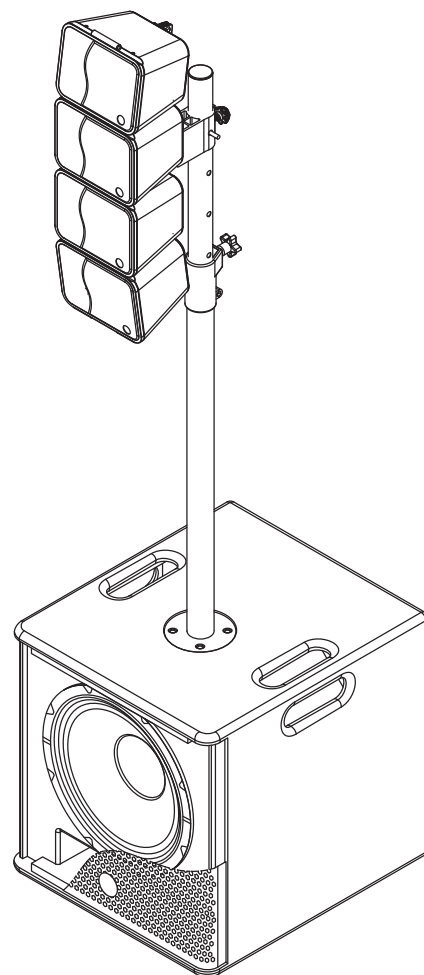


# **SOHO X**

**S E R I E S**

## ***Manual de Usuario***

### **Sistema de 4" pasivo en dos vías**





## Símbolos Relacionados con Seguridad



**ATENCIÓN**  
Para reducir el riesgo de incendio o choque eléctrico no exponga este aparato a la lluvia o humedad.

**No remueva los paneles**  
En el interior del producto hay áreas en las que hay altos voltajes. No quite los paneles hasta desconectar el cable de la red principal de alimentación. Los paneles deben ser removidos solo por personal de servicio calificado. No hay partes útiles para el usuario en el interior.



Este símbolo siempre es utilizado para alertarle de la presencia de voltajes peligrosos dentro de ésta unidad. Estos voltajes pueden constituir suficiente riesgo de un choque eléctrico.



Este símbolo siempre es utilizado para alertarle de importantes instrucciones de operación o de mantenimiento. Por favor cuando lo vea, lea la instrucción.



Terminal de Tierra



AC Principal (Corriente Alterna)



Terminal Peligrosa Viva

ON: Denota que la unidad está encendida

OFF: Denota que la unidad está apagada

**Advertencia:** Describe precauciones que deben tomarse para prevenir la muerte o heridas del usuario.

**Precaución:** Describe las precauciones que deben ser observadas para prevenir daños en la unidad.

### Advertencia

#### Fuente de Alimentación

Asegúrese de que el voltaje general es igual al voltaje del equipo antes de encender el aparato. No comprobarlo puede resultar en daños al equipo y al usuario. Desconecte el equipo ante la amenaza de tormenta eléctrica o cuando no vaya a usarse por largos períodos de tiempo.

#### Conexión Externa

La conexión de cableado con conectores vivos requiere que sea realizado por personal instruido o implica la utilización de cableado listo para usar. No usarlo implica riesgo de incendio o muerte.

#### Fusible

Para prevenir el riesgo de fuego o daños al producto, use solo el tipo de fusible recomendado en este manual. No ponga en cortocircuito el soporte del fusible. Antes de reemplazar el fusible, asegúrese que el producto está apagado y desconectado de la red de electricidad.

#### Conexión a Tierra

Antes de encender el equipo, asegúrese que está conectado a tierra. Esto prevendrá el riesgo de choque eléctrico. Nunca corte los cables internos o externos. Asimismo, nunca remueva la conexión a tierra.

#### Instrucciones de Operación

Este aparato no debe ser expuesto a salpicaduras o gotas y no se deben apoyar vasos con líquidos sobre el aparato.

No use este aparato cerca del agua.

Instale este equipo de acuerdo a las instrucciones del fabricante.

No instale el equipo cerca fuentes de calor, tales como radiadores, estufas o cerca de otros aparatos que producen calor.

No bloquee ningún orificio de ventilación. No coloque ninguna fuente de llamas vivas (por ejemplo: candelabros o velas) sobre el aparato.



No deposite ninguna parte de esta unidad en los basureros municipales. Utilice depósitos especiales para esos efectos.

### ADVERTENCIA DE TRANSPORTE



#### Racks y Pedestales

El componente debe ser utilizado únicamente con racks o soportes recomendados por el fabricante.

La combinación de un componente y rack debe moverse con cuidado.

Detenciones rápidas, fuerza excesiva y superficies desparejas pueden causar que el componente, el rack o el pedestal vuelquen.

### INSTRUCCIONES IMPORTANTES DE SEGURIDAD

- Lea estas instrucciones.
- Siga estas instrucciones.
- Guarde estas instrucciones.
- Tenga en cuenta todas las advertencias.
- Use solo accesorios especificados por el fabricante.

#### Cable de alimentación y conexión

No altere el cable y el enchufe. Un enchufe polarizado tiene 2 patas con una más ancha que la otra. Un enchufe con toma a tierra posee 2 patas y una tercera es la conexión a tierra. Son diseñados teniendo en cuenta su seguridad. No quite la conexión a tierra!!

Conecte el equipo a un tomacorriente cercano, de fácil acceso y con protección a tierra.

Si su enchufe no entra en su tomacorriente requiera la ayuda de un electricista calificado.

Proteja al cable y al enchufe de cualquier presión física para evitar riesgo de choque eléctrico.

No coloque objetos pesados sobre el cable de alimentación. Esto puede causar choque eléctrico o fuego.

#### Limpieza

De ser necesario, sople el polvo del producto o utilice un paño seco. No use solventes tales como: bencina, alcohol u otro fluido muy inflamable y volátil para limpiar el aparato.

#### Servicio Técnico

Para servicio técnico consulte solo con el personal de servicio calificado. Para reducir el riesgo de choque eléctrico, no realice ningún de tipo de servicio más allá del descrito en este manual.

#### Atención

La exposición a niveles de sonido extremadamente altos puede ocasionar la pérdida de audición de manera irreversible.

La Administración de Seguridad y Salud Ocupacional del gobierno de los Estados Unidos (OSHA), ha especificado los niveles permitidos de exposición. Estos se muestran a continuación:

Horas por día	SPL	Ejemplo
8	90	Concierto pequeño
6	92	Tren
4	95	Subterráneo
3	97	Monitoreo de alto nivel
2	100	Concierto de música clásica
1.5	102	
1	105	
0.5	110	
0.25 o menor	115	Concierto de Rock

Según la OSHA la exposición excesiva a altos niveles de SPL puede provocar sordera. Para prevenirla, recomienda que el personal que trabaja que equipos capaces de generar altos SPL, utilice protección auditiva cuando esos equipos están en operación.

## Tabla de contenido

---

1. INTRODUCCION .....	4
2. CONSEJOS DE INSTALACION .....	4
3. DATOS UTILES .....	4
4. INICIO RAPIDO .....	5
5. PANEL DE CONEXION DEL SATELITE .....	6
6. DESCRIPCION DEL PANEL TRASERO DEL SATELITE .....	8
7. CONEXION HACIA ABAJO DEL SATELITE .....	9
8. CONEXION HACIA ARRIBA DEL SATELITE .....	10
9. DESCRIPCION DEL PANEL TRASERO DEL SUB-BAJO .....	11
10. ESPECIFICACIONES TECNICAS .....	12
11. DIAGRAMA DE CONEXIONES .....	14
12. CONEXIONES DE ALAMBARDO .....	17
13. GARANTIA .....	18
14. NOTAS .....	19

# 1

## Introducción

---

Gracias por escoger **Topp Pro**. La nueva serie de gabinetes array **X3** han sido diseñados para proveer a un costo efectivo soluciones de alto grado, mientras mantiene una alta calidad de construcción y componentes óptimos.

La serie **X3** puede ser utilizada para todo tipo de aplicaciones como iglesias, centros de conferencias, clubes, etc.

Las bocinas y los driver de neodimio proveen una combinación de excelente eficiencia, compitiendo con los gabinetes que cuestan mucho más.

Nuestros productos de audio profesionales están diseñados y probados por un equipo de ingenieros altamente calificados con más de 20 años de experiencia. Un gran cuidado es puesto en entregar productos con alta eficiencia, especificaciones y confiabilidad. También se pone un gran énfasis en crear y brindar productos que puedan llenar múltiples aplicaciones y excepcional valor al usuario final.

# 2

## Consejos de Instalación

---

- Los gabinetes debes ser colocado en una posición que permita la proyección del sonido sin obstrucciones. En muchas instancias podría ayudar utilizar los gabinetes sobre un trípode para elevar y alcanzar la máxima dispersión. Considere utilizar trípodes de TOPP PRO o equivalentes para alcanzar la altura óptima.
- La utilización de cables de buena calidad le asegura un buen sonido. Considere utilizar cables TOPP PRO de un calibre 16 o 14 o similares.
- Para obtener los mejores resultados seleccione amplificadores que coincida con los gabinetes en potencia e impedancia. Una potencia apropiada dará como resultado un sonido bueno y alarga la vida útil de los equipos.
- Evite apuntar micrófonos directamente al gabinete, de lo contrario esto podría causar retroalimentación que posiblemente dañará los componentes del gabinete y podría causar daños a la audiencia.

# 3

## Datos Utiles

---

Por favor anote aquí el número de serie para una futura referencia.

Número de Serie:

Fecha de Compra:

Adquirido en:

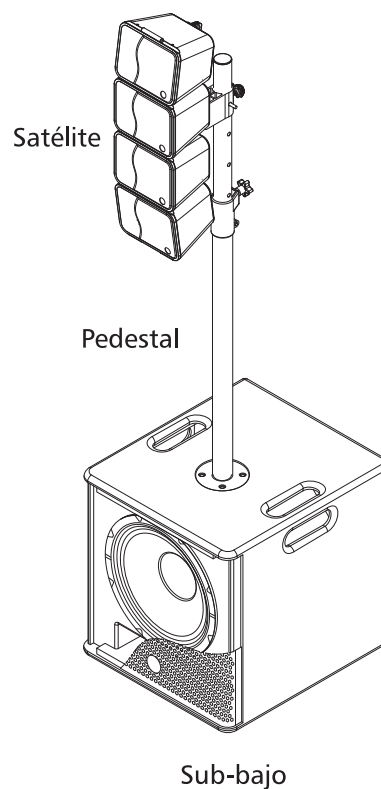
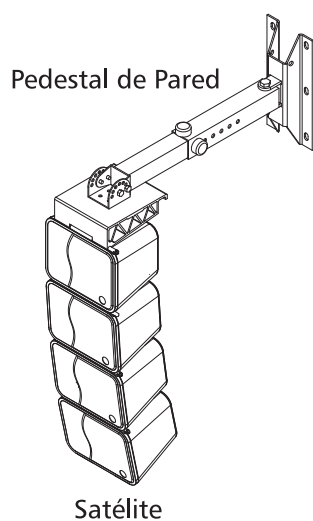
## Inicio Rápido

# 4

Cuando se pone un gabinete sobre un pedestal, siempre asegúrese que el pedestal este sobre una superficie plana con las patas bien extendidas y estables. Asegúrese de chequear que el peso de soporte del pedestal aguante sobradamente los gabinetes del sistema. Nunca utilice un pedestal que tenga un soporte de peso menor al de la carga de los gabinetes. No trate de montar más de un gabinete en un pedestal a la vez.

Los gabinetes del ARRAY SYSTEM son pesados. Se recomienda que una segunda persona ayude a colocar el gabinete en el pedestal.

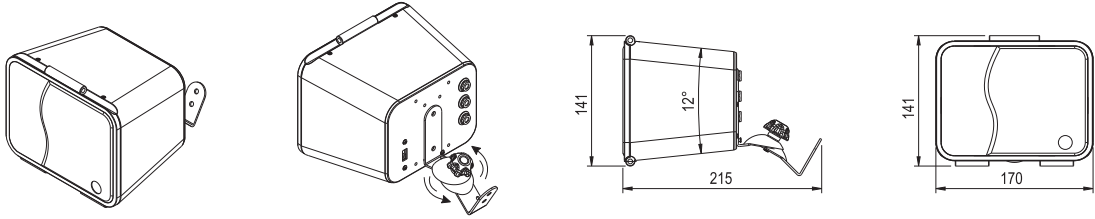
Cuando el gabinete se coloca sobre un pedestal, siempre verifique la integridad y el centro de gravedad del sistema, si el gabinete puede ser inclinado fácilmente, o el poste está oscilando, se recomienda bajar la altura del pedestal. Coloque los cables de tal forma que los artistas y el público no puedan enredarse o tropezarse con ellos.



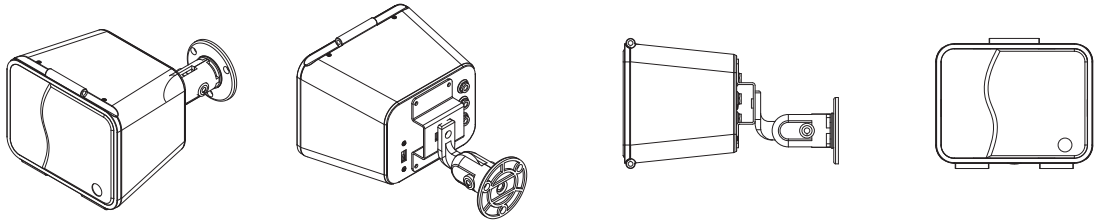
# 5

## Panel de Conexión del Satélite

### Un módulo



### Soporte de Pared (Opcional)



La dirección del soporte de pared puede ser ajustada hacia cualquier lado

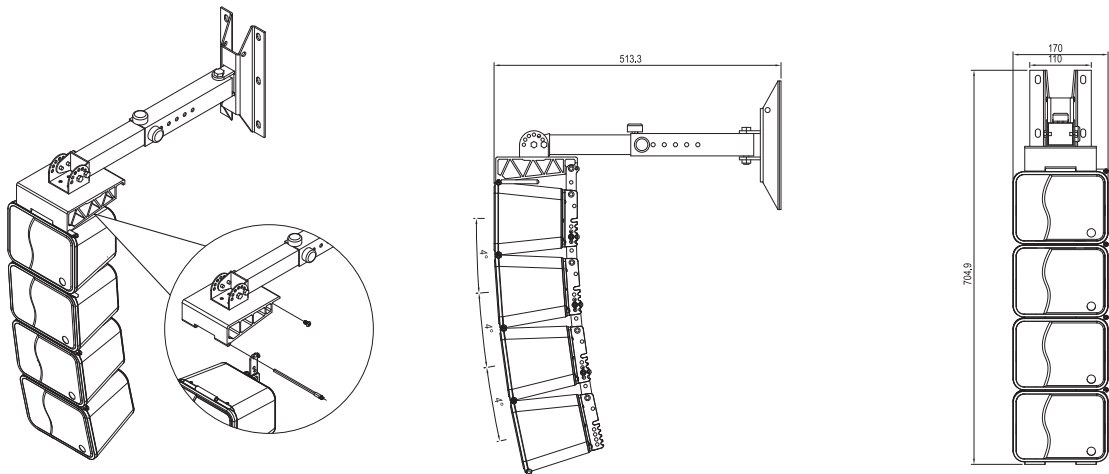
### Más Módulos

Opciones versátiles de montaje

En comparación con muchos otros diseños de altavoces, el satélite de la serie **X3** es muy fácil de instalar de varias maneras. Puede ser colgado fácilmente con cadenas, alambres o cables fuertes con los accesorios de soportes.

También hay opciones para colgar con un soporte preinstalado o configurarlo con un subwoofer.

También hay otras opciones como los soportes de pared y techo y un adaptador para uso con un pedestal.

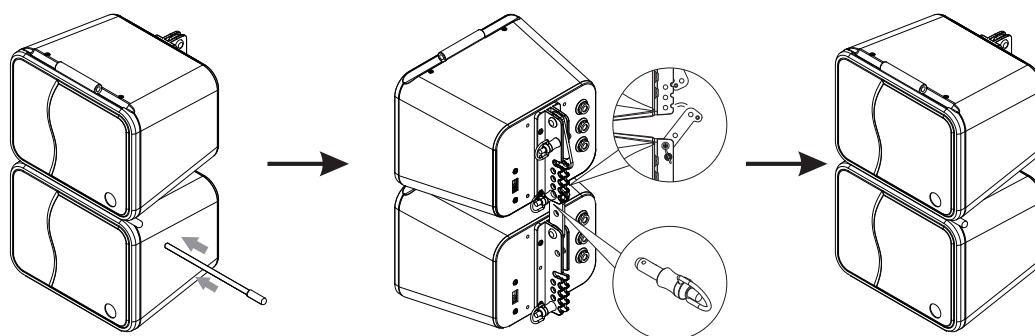


Los soportes de pared y los de montaje de techo con más de 8 módulos, pueden ser direccionados desde cualquier lado.

## Panel de Conexión del Satélite

### Formas de Conexiones

- 1) Alinee dos unidades de tal forma que los agujeros queden en la misma posición para pasar un pin de seguridad.
- 2) Ajuste los ángulos de las unidades (Cuatro ángulos: 0° - 4° - 8° - 12°), inserte el perno de conexión ubicado en la parte trasera en la ranura relacionada y coloque el pasador en el orificio.

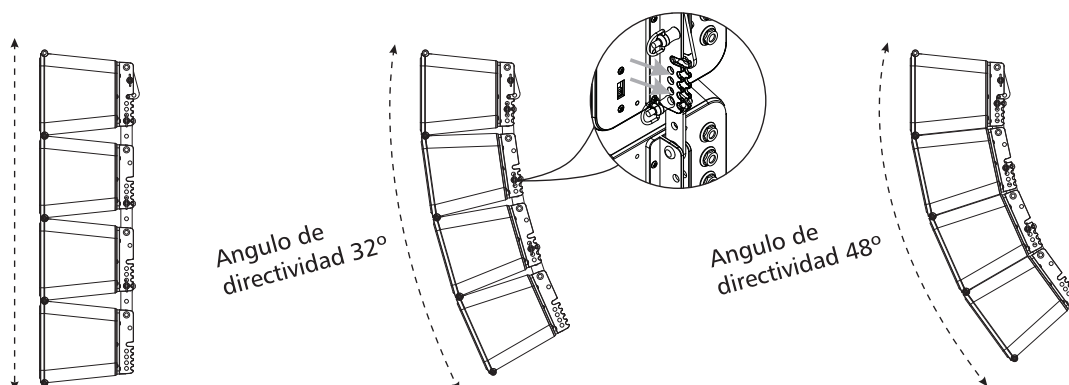


Se puede utilizar cualquiera de los tres agujeros ubicados en el soporte trasero según se requiera, de esa forma se puede obtener sonido de diferentes ángulos.

Ajustes de dispersión de sonido (Ej.: con 4 unidades.)

Un sistema configurado verticalmente apilando cuatro módulos cuenta con una dotación total de cuatro woofers y 12 tweeters situados a lo largo de la superficie de la placa defletores, esta configuración permite el control de directividad variable y control de dispersión de baja frecuencia comparable al uso de un altavoz de gran bocina de directividad constante. Una selección de los tres ángulos de directividad---0, 4, 8 y 12 grados pueden emplearse según sea necesario.

Por ejemplo, un ángulo de directividad específico de cada módulo puede tener su directividad de forma independiente para un requisito de cobertura específica. Cuando se conectan dos o múltiples módulos para configurar un arco, funcionan efectivamente como un inmenso altavoz, controlando la directividad de frecuencias bajas. Como resultado, estas funciones muestran una inteligibilidad óptima incluso en entornos con tiempos de reverberación largo.

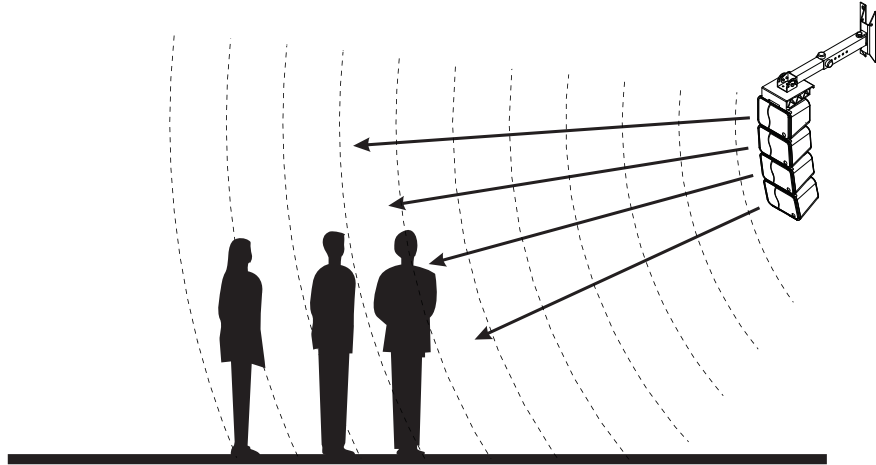


# 5

## Panel de Conexión del Satélite

### Mínimos Efectos Reflectantes

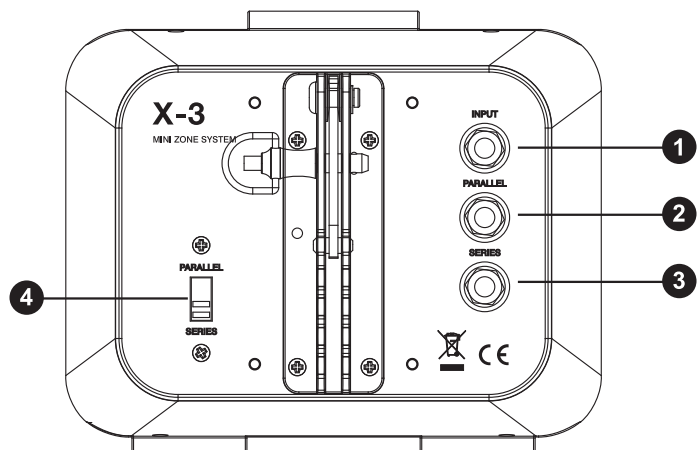
Ya sea montados en la pared o el techo, estos satélites son notablemente libres del filtro tipo "peine" e interferencias que son más comunes en otros tipos de altavoces. Por lo tanto pueden producir más salida de baja frecuencia incluso cuando estén montados en la pared o en el techo.



# 6

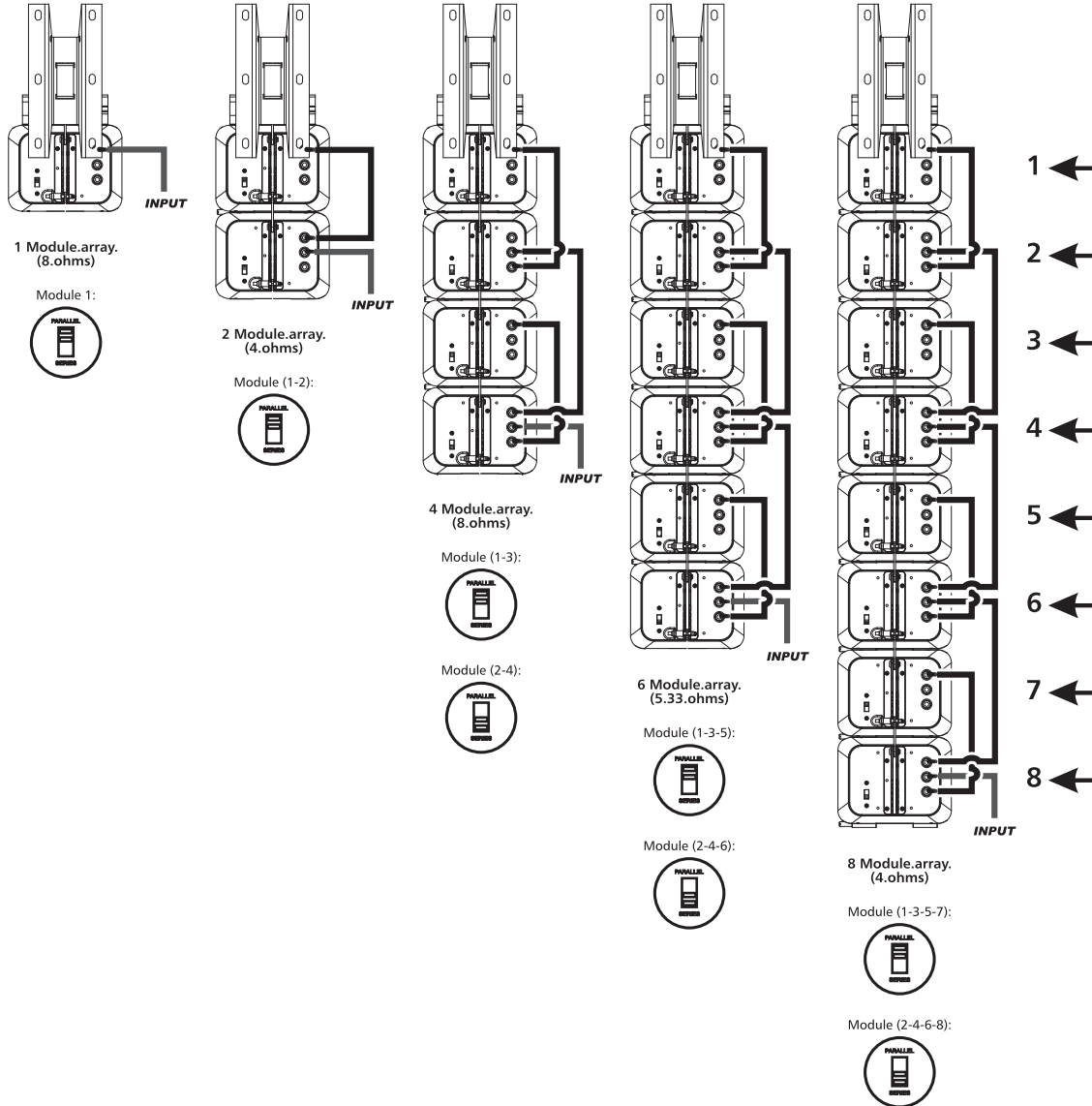
## Descripción del Panel Trasero del Satélite

- 1) Entrada: Recibe la potencia que viene desde el amplificador externo.
- 2) Paralelo: Hace cadenas de gabinetes en modo paralelo. Los conectores de entrada y paralelo están enlazados.
- 3) Serie: Hace cadenas de gabinetes en modo serie.
- 4) Selector: Selecciona entre modo Paralelo o Serie:
  - a) Poner el selector en posición de paralelo para hacer las conexiones en este modo
  - b) Poner el selector en posición serie para hacer conexiones en este modo, pero en el último satélite el selector debe estar en posición paralelo.



## Conexión hacia Abajo del Satélite

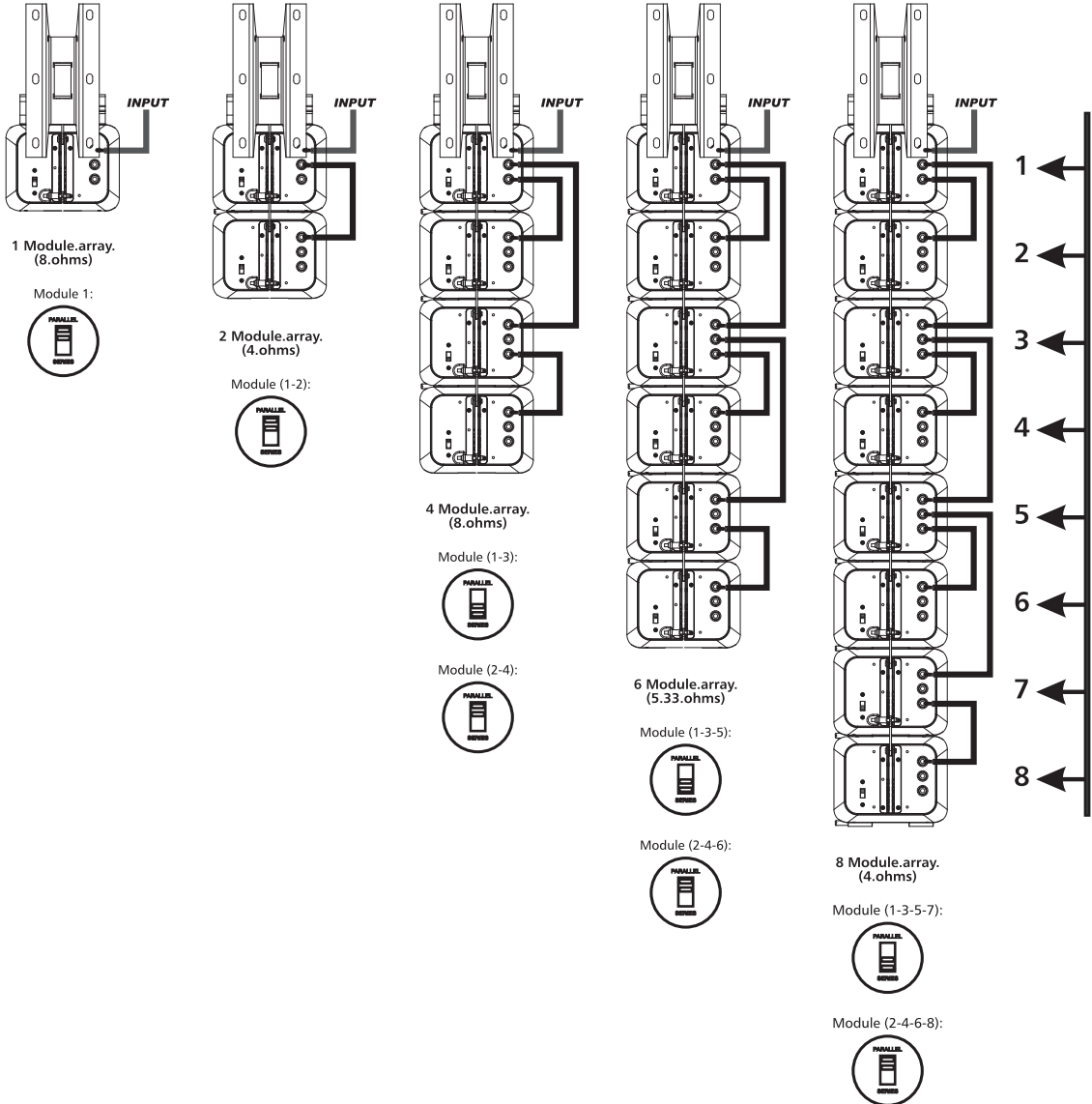
7





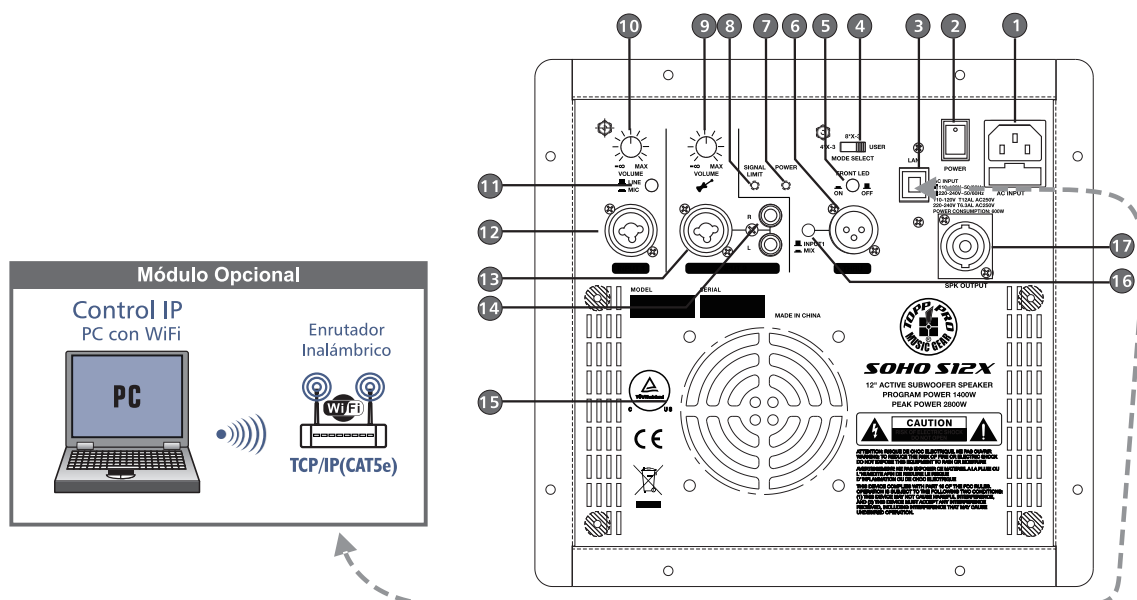
# 8

## Conexión hacia Arriba del Satélite



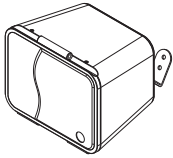
## Descripción del Panel Trasero del Sub Bajo

9



- 1) Toma de corriente principal con fusible
- 2) Interruptor principal de encendido
- 3) Control IP
- 4) Selector de "Presets": (X3 x 4) (X3 x 8) y Usuario (Custom Sound)
  - X3 x 4: Permite el uso de este sub bajo combinado con 4 satélites del X3
  - X3 x 8: Permite el uso de este sub bajo combinado con 8 satélites del X3
  - USER: Ajusta la ecualización según convenga al usuario, esta va a depender de las condiciones acústicas del lugar donde el sistema será utilizado. Estos ajustes podrán ser realizados por medio de un PC vía un puerto LAN, utilizando un enrutador para internet. En la posición USER el preset que viene cargado de fábrica es el (X3 x 4), una vez se hayan hechos los cambios por el usuario, los mismos serán guardados dentro del sistema.
- 5) Interruptor de encendido de la luz frontal
- 6) Salida de lazo con conector XLR
  - Esta salida con conector hembra XLR reproduce exactamente la misma señal de salida que está presente en el conector de la entrada principal o la mezcla de la entrada 1 y la entrada 2
- 7) Indicador de encendido en color verde
- 8) Indicador de señal y de limitador en color rojo
- 9) Control de volumen entrada 2
- 10) Control de volumen entrada 1
- 11) Selector de entrada Línea o Micrófono (Solo para canal 1)
- 12) Entrada 1 conector tipo combo (XLR-1/4)
  - Entrada 1 acepta señales con nivel de micrófono y de línea vía XLR o solo de línea vía 1/4" TRS. Asegúrese que el selector de entrada este en la posición correcta según el nivel de señal a trabajar
- 13) Entrada 2 conector tipo combo (XLR-1/4)
  - Entrada 2 acepta señales de alta impedancia tales como guitarras o teclados vía XLR o solo de línea vía 1/4" TRS. Asegúrese que el selector de entrada este en la posición correcta según el nivel de señal a trabajar.
- 14) Entradas tipo RCA (Canal 2 solamente)
- 15) Ventilador convencional
- 16) Selector de salida para lazo (Entrada 1 / Ambas Entradas)
  - Este selector permite escoger entre enlazar la entrada 1 solamente o enviar ambas entradas al lazo.
- 17) Salida de poder conector tipo SPK para los satélites: Utilice pin +1 positivo y pin -1 negativo

# 10



## Especificaciones Técnicas

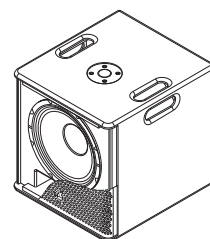
Modelo	<b>X-3 (un módulo)</b>
Tipo	Sistema pasivo de 4" en dos vías
Potencia Consumo	30W Continuos, 60W Programa, 90W Pico
Sensibilidad (1 W /1m)	88dB Continuos/ 91dB
Respuesta de Frecuencia	100Hz-20kHz (-10dB)
Crossover 3.0 KHz pasivo	3.0KHz pasivo
Transductor de Bajos	Bocina de 4" en Neodimio, bobina de 1" en 8 ohmios
Transductor de Altos	3 tweeter de 0.5" en 16 ohmios
Dispersión (-6dB)	110° Horizontal, 20° Vertical ( un modulo)
Máximo SPL@ 1m	103dB Max.( calculado)
Impedancia	8 ohmios
Gabinete	Aleación de aluminio
Acabado	Pintura resistente en negro
Conectores	Paralelo o serie, conectores de 6.3mm, selector
Montaje	Soporte de acero, 3 puntos para colgar M6 en la parte superior
Dimensiones (Alto/Ancho/Fondo)	141mm x 170mm x 162mm / (5.55" x 6.69" x 6.38")
Peso Neto	1.46kg / 3.21 lbs

### Serie (+) Paralelo (/)

Configuración de un canal		Clasificación de Potencia del Array (AES)
1 Módulo	1 Canal a 8 ohmios	30W
2 Módulo	1 Canal a 4 ohmios (2//)	60W
4 Módulo	1 Canal a 8 ohmios (1+2)/(3+4)	120W
6 Módulo	1 Canal a 5.33 ohmios (1+2)/(3+4)/(5+6)	180W
8 Módulo	1 Canal a 4 ohmios (1+2)/(3+4)/(5+6)/(7+8)	240W

## Especificaciones Técnicas

# 10



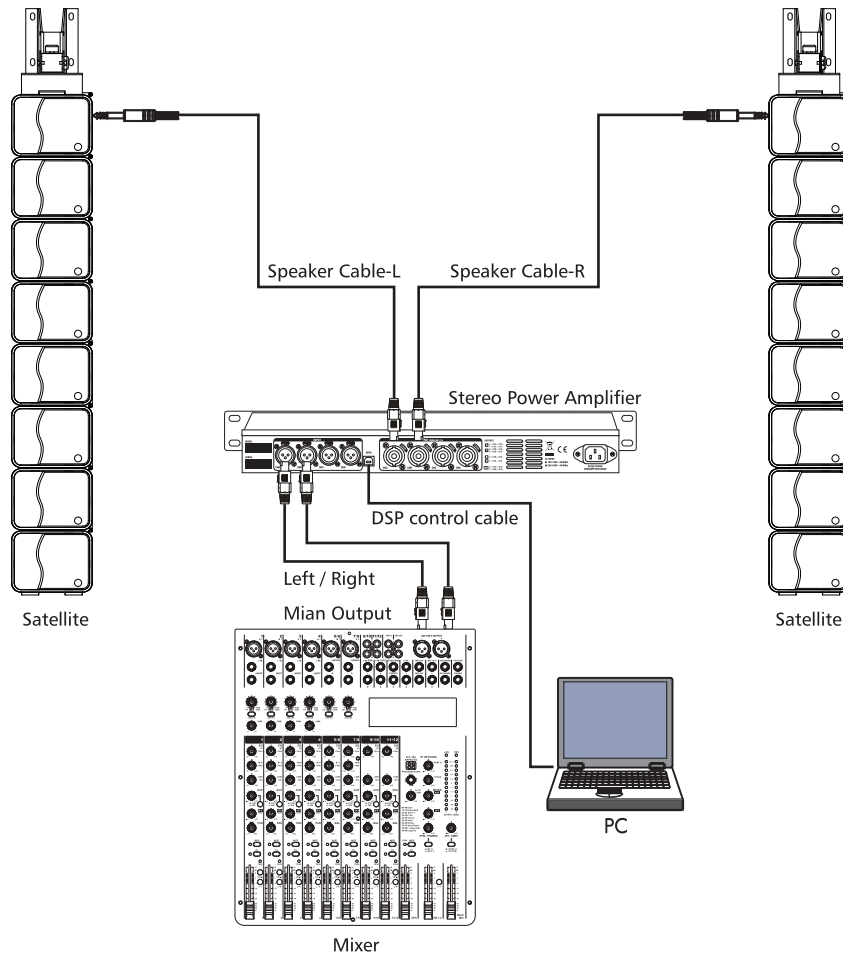
Sub Bajo Activo	<b>SOHOS12X</b>
Subwoofer	1 x 12" Ø320mm - 2.5" de Bobina
Respuesta de Frecuencia (-6dB)	40Hz-500Hz
Potencia Total Amplificador	700 W Continuos / 1400 W Programa / 2800W Picos Clase D@ 4 Ohms
Amplificador, Sub bajo	350 W Continuos / 700 W Programa / 1400W Picos Clase D@ 4 Ohms
Amplificador, Satelite	350 W Continuos / 700 W Programa / 1400W Picos Clase D@ 4 Ohms
Sensibilidad Axial 1W@ 1m	96dB / 130dB Max.
Protecciones Electronicas	Termica / OC / Sobrecarga / Compresor Limitador Digital
Enfriamiento	Temperatura controlada por ventilador
Conectores	Entrada: 2 Combo XLR-1/4 / RCA L&R Salida: SPK Satelite /XLR Lazo
Controles Externos	Control de Volumen / Selector de sensibilidad de Entrada / Selector de Modo / Encendido con luz verde / Limitador con luz roja / Selector de Tierra / Modulo de Control IP (Opcional)
Fuente de Poder	115V /230V Seleccionable
Gabinete	Plywood con acabado en pintura resistente, parrilla metalica con espuma, soportes de hule y agarraderas
Montaje	Adaptador para pedestal
Dimensiones (Alto/Ancho/ Fondo)	16.92" (430mm) x 17.72" {450mm} x 18.9" {480mm}
Peso Neto	

## Diagrama de Conexión

*Antes de hacer cualquier conexión, asegúrese de que todo su equipo esté apagado. Además de que todos los controles de volumen estén totalmente abajo.*

### Para Sistema de Rango Completo Pasivo

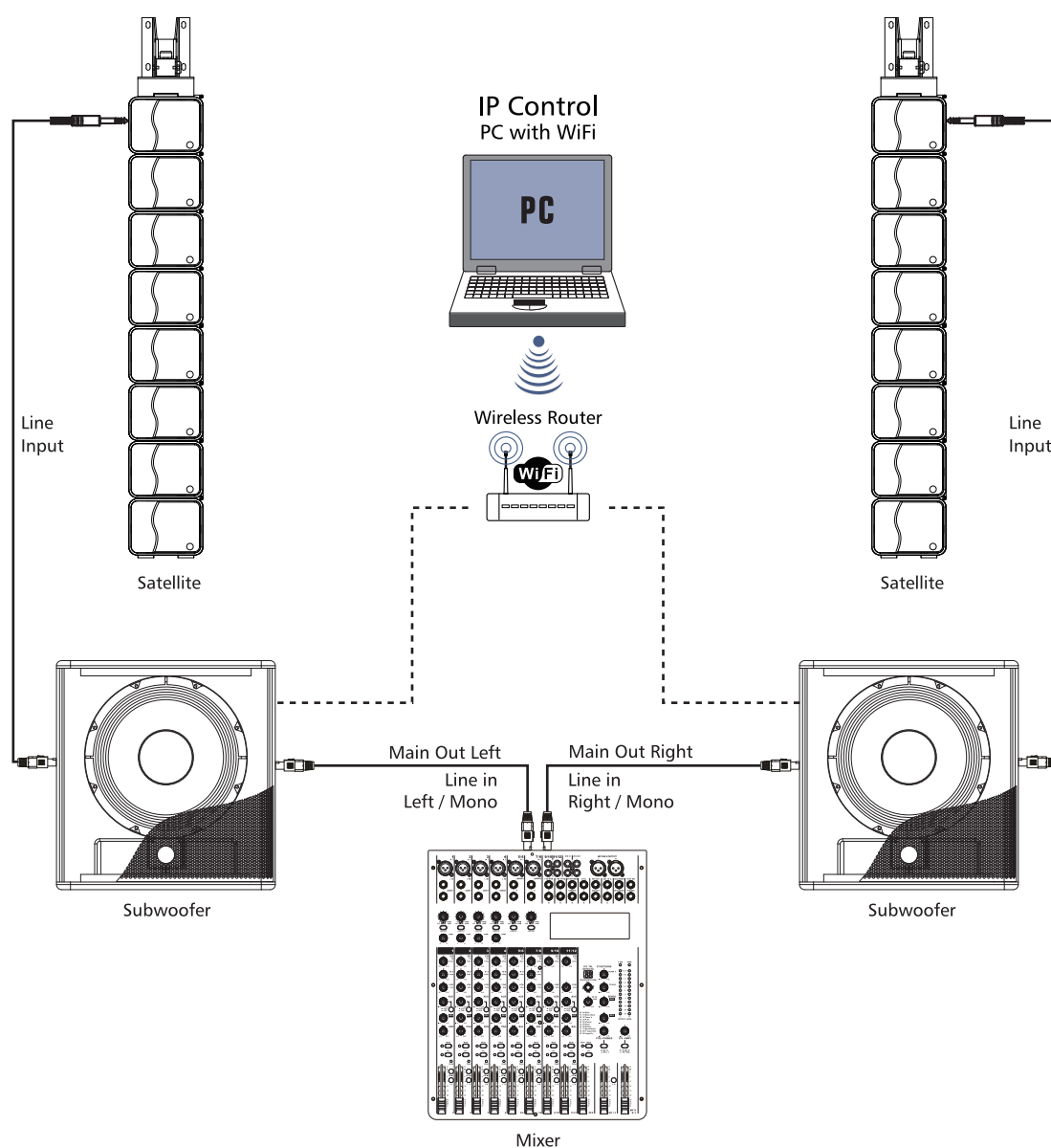
- 1) Conecte un lado del cable de bocina a la salida de su amplificador estéreo CH A/CH B o en los postes (Rojo y Negro) y el otro lado del cable, al conector de entrada del gabinete.
- 2) Complete las otras conexiones como se muestra en la ilustración
- 3) Encienda su mezclador primero y después el amplificador de poder
- 4) Suba el control de volumen de su amplificador completamente ( 100%)
- 5) Utilice la función del PFL para ajustar la entrada del canal del mezclador y manipule el volumen de su equipo desde el control maestro
- 6) Después de utilizar el equipo, apague primero su amplificador de poder y después el mezclador.



## Diagrama de Conexión

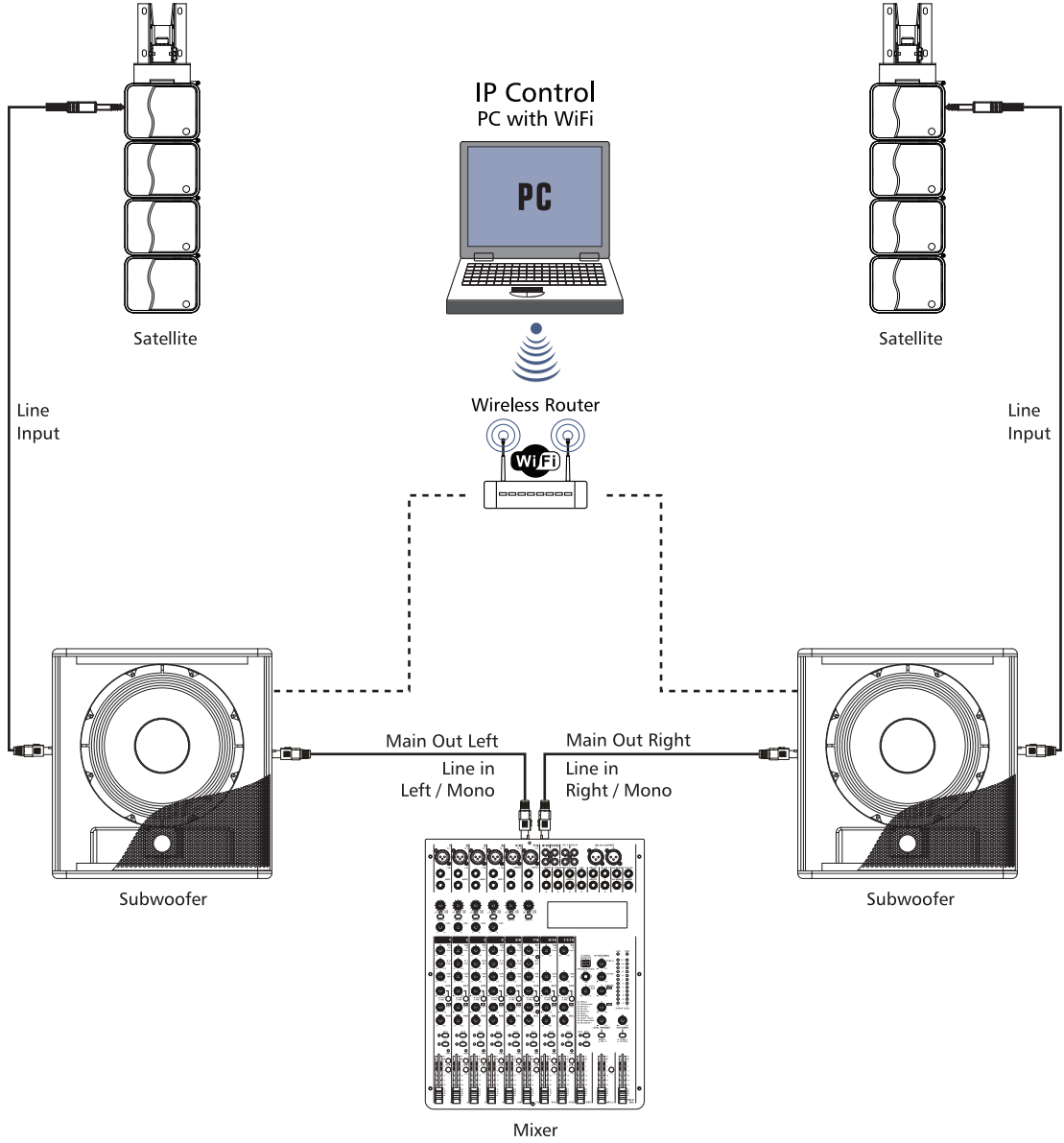
### Dos Sub Bajos Activos con Satélites Pasivos

- 1) Conecte uno de los lados del cable de señal a la salida de su mezclador izquierda/ derecha con un conector TRS o XLR y el otro lado del cable a la entrada de línea tipo combo del sub bajo activo (con un conector TRS a XLR). Después conecte el cable tipo SPK desde la salida de poder del Sub Bajo a la entrada de los satélites X3
- 2) Complete las otras conexiones como se muestra en la ilustración
- 3) Encienda su mezclador primero y después el Sub Bajo Activo
- 4) Suba el control de volumen de su amplificador completamente ( 75%)
- 5) Utilice la función del PFL para ajustar la entrada del canal del mezclador y manipule el volumen de su equipo desde el control maestro
- 6) Después de utilizar el equipo, apague primero el Sub Bajo Activo y después el mezclador.



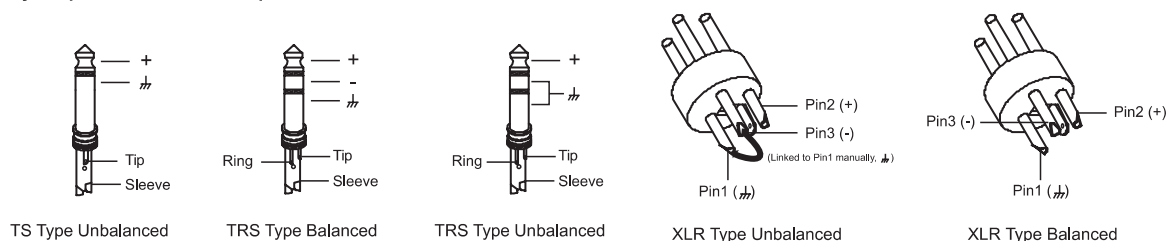
# 11

## Diagrama de Conexión



## Diagrama de Conexiones

Cualquiera de los dos conectores, ya sea el TRS de 1/4" o el XLR, pueden alambrarse en modo no balanceado o balanceado, dependiendo de la necesidad de trabajo. Los siguientes son unos ejemplos de cómo se pueden alambra estos conectores:

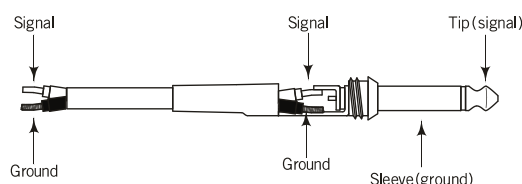


Las conexiones de los gabinetes de la serie X3 pasiva se realizan a través de los conectores de 1/4" o conectores tipo Speakon ubicados en el panel posterior, los cuales utilizan cables estándar de la industria. Se recomienda el cable para parlante estándar, sin blindaje (disponibles en tiendas de audio profesional local o tiendas de música). Se recomienda la utilización de conectores de buena calidad y cables de calibre entre 12 y 14 AWG.

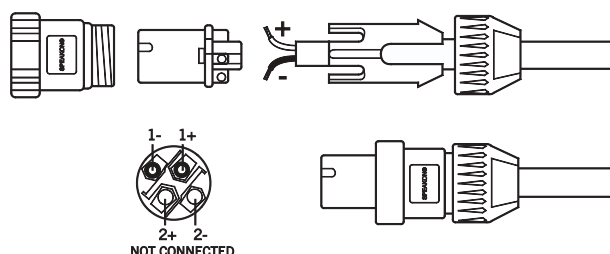
Si sus amplificadores utilizan conectores tipo "Poste", se pueden usar conectores tipo "Banana", pero debe poner atención a la polaridad del (+/-) cuando haga las conexiones. Asegúrese de que la terminal (+) del gabinete o del conector "Banana" se conecte a la terminal (+) del amplificador (normalmente es de color rojo) al igual que la conexión del (-) (color negro). Esto es de suma importancia ya que de no mantener una polaridad correcta, su sistema podrá tener pérdidas en la eficiencia de ganancia y dispersión debido a la cancelación entre componentes.

El siguiente es un diagrama del alambrado con diferentes tipos de conectores:

### Conector de 1/4" NO balanceado



### Guía de alambrado para conector Speakon





## Garantía

---

**Topp Pro** garantiza el normal funcionamiento del producto contra cualquier defecto de fabricación y/o vicio de material, por el término de (12) meses, contados a partir de la fecha de compra por parte del usuario, comprometiéndose a reparar o cambiar, a su elección, sin cargo alguno, cualquier pieza o componente que fallare en condiciones normales de uso dentro del período mencionado.

Para que ésta garantía sea válida, el comprador original deberá presentar este certificado debidamente sellado y firmado por la casa vendedora, acompañado por la correspondiente factura de compra donde constará el modelo y número de serie del equipo adquirido.

La garantía no cubre:

- Daños ocasionados por el uso indebido del producto, reparación y/o modificación efectuados por personas no autorizadas por **Topp Pro**.
- Daños ocasionados por la conexión del equipo a otros equipos distintos de los especificados en el manual de uso, o bien por mala conexión a estos últimos.
- Daños ocasionados por tormentas eléctricas, golpes y/o transporte incorrecto.
- Daños ocasionados por excesos o caídas de tensión en la red o por conexión a redes con una tensión distinta a la requerida por la unidad.
- Daños ocasionados por la presencia de arena, ácido de pilas, agua, o cualquier elemento extraño en el interior del equipo.
- Deterioros producidos por el transcurso del tiempo, uso y/o desgaste normal de la unidad.
- Alteración o ausencia del número de serie de fábrica del equipo.

Las reparaciones solamente podrán ser llevadas a cabo el servicio técnico autorizado por **Topp Pro**, que informará acerca del plazo y demás detalles de las reparaciones a efectuarse conforme a esta garantía.

**Topp Pro** reparará esta unidad en un plazo no mayor a 30 días contados a partir de la fecha de entrada de la unidad al Servicio Técnico. En aquellos casos en que debido a la particularidad del repuesto, fuera necesaria su importación, el tiempo de reparación y la viabilidad de la misma estarán sujetos a las normas vigentes para la importación de partes, en cuyo caso se informará al usuario acerca del plazo y posibilidad de reparación.

A efectos de su correcto funcionamiento, y de la validez de ésta garantía, este producto deberá ser instalado y utilizado de acuerdo a las instrucciones que se encuentran detalladas en el manual adjunto o en el envase del producto.

Esta unidad podrá presentarse para su reparación, junto a la factura de compra (o cualquier otro comprobante donde conste la fecha de compra), a su distribuidor autorizado **Topp Pro** o a un centro de servicio técnico autorizado por **Topp Pro**.

Exclusión de daños:

**LA RESPONSABILIDAD DE TOPP PRO POR CUALQUIER PRODUCTO DEFECTUOSO SE LIMITA A LA REPARACIÓN O AL REEMPLAZO DEL MISMO, A OPCIÓN DE TOPP PRO. SI ELEGIMOS SUBSTITUIR EL PRODUCTO, EL REEMPLAZO PUEDE SER UNA UNIDAD REACONDICIONADA. TOPP PRO NO SERÁ RESPONSABLE POR LOS DAÑOS BASADOS EN LA INCONVENIENCIA, PÉRDIDA DE USO, BENEFICIOS PERDIDOS, AHORROS PERDIDOS, POR EL DAÑO A OTROS EQUIPO O A OTROS ARTÍCULOS EN EL SITIO DE USO, O POR NINGUN OTRO DAÑO SI ES FORTUITO, CONSECUENTE O DE OTRO TIPO, AUNQUE TOPP PRO HAYA SIDO ADVERTIDO DE LA POSIBILIDAD DE TALES DAÑOS.**

Algunos países o estados no permiten la exclusión o la limitación a los daños fortuitos o consecuentes, así que la limitación antedicha puede no aplicarse a usted.

Esta garantía le da derechos legales específicos, usted puede también tener otros derechos que varían de estado a estado o de país a país.



***TOPP PRO MUSIC GEAR***

*[www.topppro.com](http://www.topppro.com)*

***SOHO X***  
***S E R I E S***

NF04839-1.0