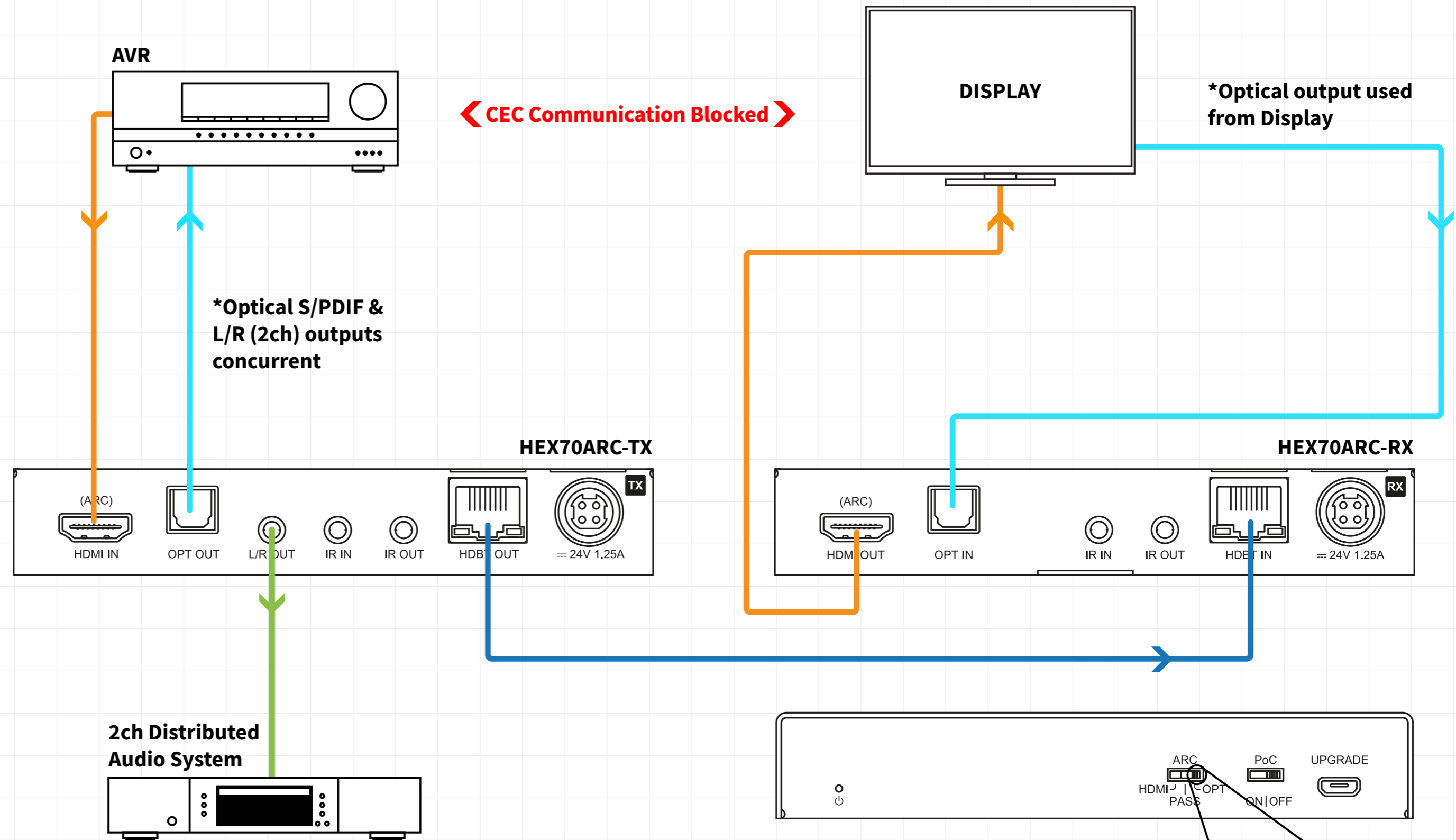


RX ARC Switch in OPT Position



Please Note - Source audio from screen must be 2ch PCM for L/R audio.

- IR
- HDMI
- HDMI ARC
- RS-232
- Analogue Audio
- CAT
- Optical Digital